

Fan-Assisted Radiators

Award, Sygnet, Spacemaker- Recessed

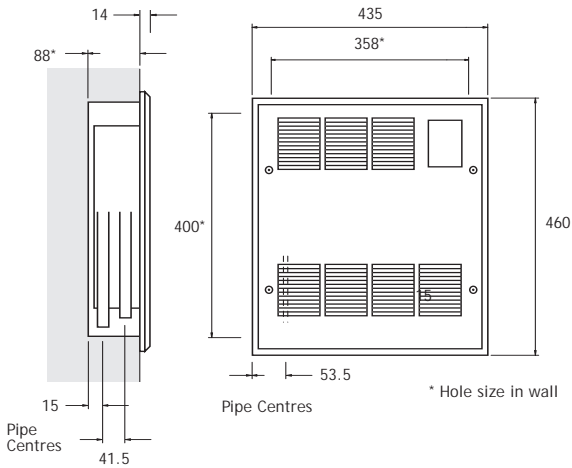
| | Model | Room size Guide* (m ³) | Heat Output | | | | Casing Colour | Fan Only |
|----------------------|-----------------|------------------------------------|-------------|-------|-------|-------|---------------------------|----------|
| | | | Normal | | Boost | | | |
| | | | Watts | Btu/h | Watts | Btu/h | | |
| Hydronic | Award SFR7 | 34 | 1530 | 5222 | 2186 | 7460 | Ash Grey | n/a |
| | Spacemaker SST8 | 35 | 1582 | 5400 | 2110 | 7200 | Anodised aluminium grille | n/a |
| Hydronic Low Voltage | Award SFR7 12V | 31 | 1530 | 5222 | 2186 | 7460 | Ash Grey | n/a |
| Electric | Sygnet E | 22 | 1kW | - | 2kW | - | White | • |

Hydronic outputs tested in accordance with BS 4856. Fan only option operational only when central heating system is switched off.

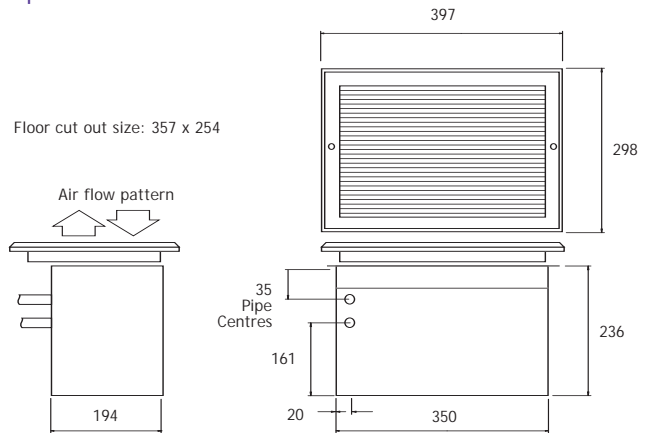
*Room sizes given in cubic metres for general guidance only based on normal heat output for domestic applications.

| | Model | Flow & Return Connections | Mains Cable | Transformer | Flexible Hoses | Isolating Valves | Fused Spur | Power Consumption | | Water Capacity (Litres) |
|----------------------|-----------------|---------------------------|-------------|-------------|----------------|------------------|------------|-------------------|-------------|-------------------------|
| | | | | | | | | Normal Watts | Boost Watts | |
| Hydronic | Award SFR7 | 15mm | 1.5m | n/a | n/a | n/a | 3A | 20 | 30 | 0.36 |
| | Spacemaker SST8 | 15mm | 1.5m | n/a | n/a | n/a | 3A | 20 | 30 | 0.27 |
| Hydronic Low Voltage | Award SFR7 12V | 15mm | 0.45m | • | n/a | n/a | 3A | 20 | 30 | 0.36 |
| Electric | Sygnet E | n/a | 2.0m | n/a | n/a | n/a | 10A | 1012 | 2025 | n/a |

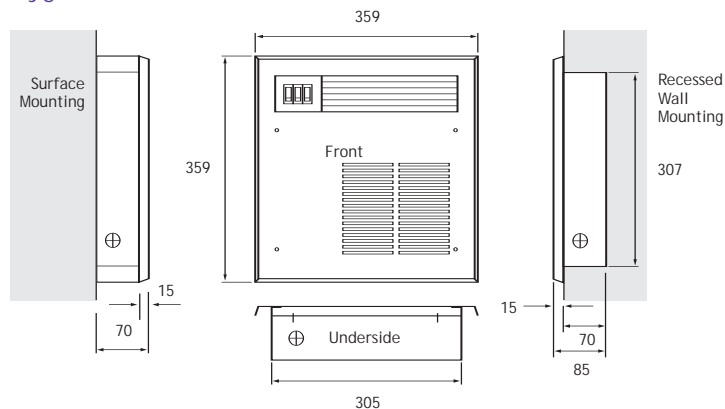
Award SFR7, Award SFR7 12V



Spacemaker SST8



Sygnet E



All dimensions in mm

Award SFR7 & Award SFR7 12V

Finish

Front casing 0.9mm zinc coated steel, polyester powder coated. Paint specification: ash grey BS 4800 00A01 18% gloss.

Installation

- Installs into stud walls.
- Brickwork installation requires wood frame (not supplied).
- Transformer supplied with SELV model. Must be fitted remote from the bathroom/high humidity area.
- Unit must be earthed (not 12 volt SELV).
- Suitable for two-pipe central heating systems only.

Commissioning

Check water temperature is hot enough to activate low temperature cut out (LTC).

Controls

Rocker switch - normal/off/boost.

Low temperature cut out thermostat set to energise fan at approx. 42°C (108°F).

Accessories

Remote wall mounted room thermostat with on/off switch.

Spacemaker SST8

Finish

Anodised aluminium grille with removable centre section.

Installation

- Installs between floor joists or purpose made trenches in concrete floors.
- Air intake and discharge through grille.
- Unit must be earthed.
- Suitable for two-pipe central heating systems only.

Commissioning

Check water temperature is hot enough to activate low temperature cut out (LTC).
Vent screw accessible through grille.

Controls

Rocker switch - normal/off/boost - below grille.

Low temperature cut out thermostat set to energise fan at approx. 42°C (108°F).

Accessories

Remote wall mounted room thermostat with on/off switch.

Sygnnet E

Finish

Front casing and surface mounting kit 0.9mm zinc coated steel, polyester powder coated. Paint specification: white BS 4800 00A01 18% gloss.

Installation

- May be recessed in stud walls or surface mounted.
- Brickwork installation requires wood frame (not supplied).
- Unit must be earthed.

Controls

Three rocker switches, fan off/fan only, 1kW, 2kW.

Overheat protection: thermal cut out.

Manual reset procedure: switch power off at unit or mains, wait five minutes, switch power on.

Accessories

Remote wall mounted room thermostat with on/off switch.