



Mini Canal





Mini Canal

PERFECTLY INTEGRATED HEAT

The Jaga Mini Canal is a ready-to-use unit which is installed on a rough subfloor. After construction of the floor, only the grille - which on request can be delivered in many different colours and design types - will remain visible.

Because of its low height - beginning from a mere 9 cm - the range of applications is much wider than those having deeper built-in ducts.

The smaller types will give you a comfortable feeling of warmth and will protect against cold radiation of large window surfaces, rapid reaction time makes them ideal for use on chilly Spring or Autumn evenings or mornings. The more powerful types are used as a comfortable main heating source.

APPLICATIONS

- > living rooms with large windows
- > conservatories
- > entrance halls
- > shop-windows
- > offices
- > industrial rooms etc...

WELL-CONSIDERED DESIGN

The internal elements of the Mini Canal has been made "invisible", using lacquered dark grey components. The only eye-catching element left, is the grille-cover which can be perfectly tailored to match the floor.

QUALITY WITHOUT CONCESSIONS

The use of high-quality materials, such as copper and aluminium for the heat exchanger and galvanized

steel for the duct, results in a perfect, rust-free product. All components are carefully painted with a high-quality, UV-resistant polyester lacquer.

HIGH EFFICIENCY BOILER COMBINATION

Thanks to its low water content and high coefficient of heat conduction for low flow temperatures, the Strada, with its modern Low-H2O element, is ideal to use with combination and high efficiency condensing boilers.

INSTALLATION

The Mini Canal is completely mounted and ready for use. Suitable for installation onto rough concrete subfloors, in floating or suspended floors, or even into existing trenches.

INSTALLATION

- > Position level on the finished floor by means of anchoring irons

- or optional height control.
- > Lead through the conduits and close the leadthrough openings.
- > If necessary, provide an extra pipe for the thermostat head with remote control.
- > Test the pressure of the installation.
- > Finish the floor.

CONNECTION

There are several ways to connect the heat exchanger.

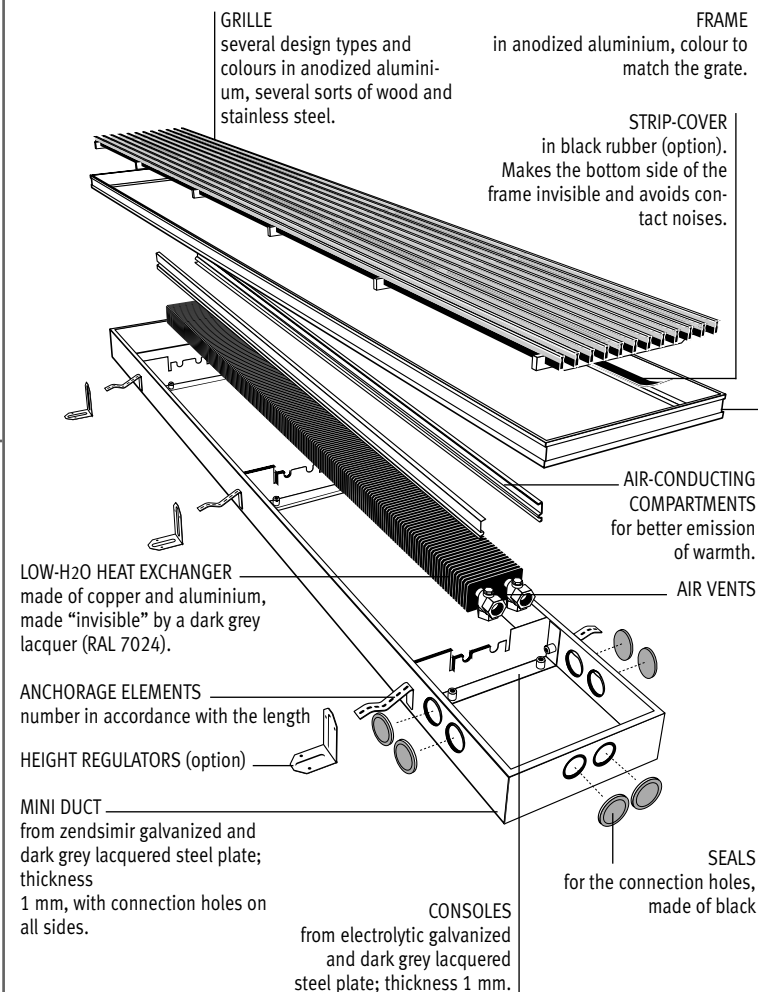
- > With the central control collector (no valve in the duct).
- > With manual valve in the duct.
- > With thermostatic valve in the duct: in this case it is best to provide a head with remote control outside the duct. Control is simple and the thermostat will provide better measurement of the ambient temperature.

WITH FLEXIBLE CONNECTIONS

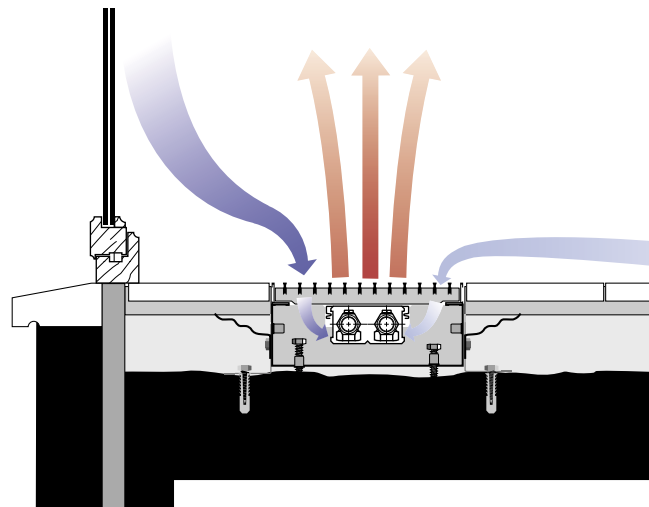
Compose the Mini Canal from the list of parts, the heat exchanger

should be taken at least one size shorter. In this way you will gain sufficient space for flexible connections and it will be easy to remove the heat exchanger from the duct, for example for annual cleaning.

COMPOSITION



OPERATING PRINCIPAL



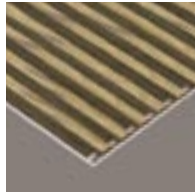


Mini Canal > overview grilles

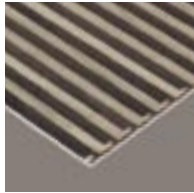
DESIGNO ROLL-UP WOODEN GRILLES



MERBAU NATURAL **DMN**
Designo Merbau Natural



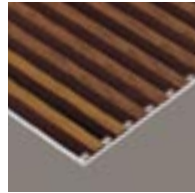
OAK NATURAL **DON**
Designo Oak Natural



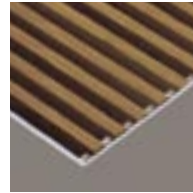
BEECH NATURAL **DBN**
Designo Beech Natural



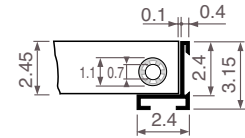
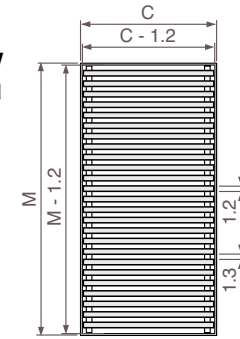
MERBAU VARNISH **DMV**
Designo Merbau Varnished



OAK VARNISH **DOV**
Designo Oak Varnished



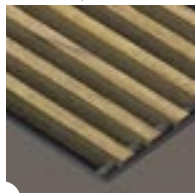
BEECH VARNISH **DBV**
Designo Beech Varnished



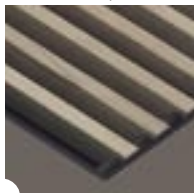
Roll-up natural or varnished grille, Designo model with reduced slat spacing and natural colour anodized aluminium distance pieces. Frame in natural coloured anodized aluminium. Free air flow 52%.

ROLL-UP WOODEN GRILLES

MERBAU NATURAL **RMN**
Roll-up Merbau Natural



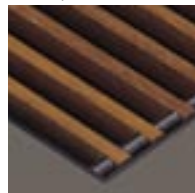
OAK NATURAL **RON**
Roll-up Oak Natural



BEECH NATURAL **RBN**
Roll-up Beech Natural



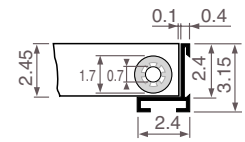
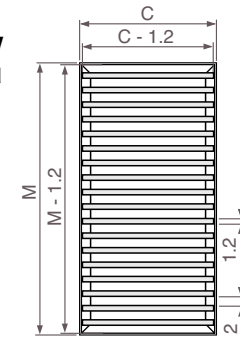
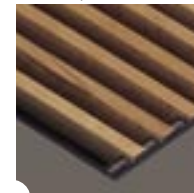
MERBAU VARNISH **RMV**
Roll-up Merbau Varnished



OAK VARNISH **ROV**
Roll-up Oak Varnished



BEECH VARNISH **RBV**
Roll-up Beech Varnished



Roll-up natural or varnished grille, with dark brown coloured synthetic distance pieces. Frame in dark brown anodized aluminium. Free air flow 63%.

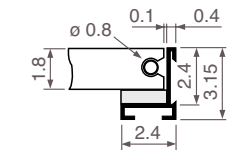
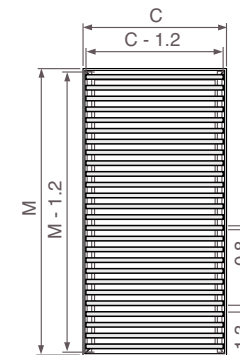
ROLL-UP STAINLESS STEEL GRILLES

STAINLESS STEEL **RSS**
Rollable Stainless Steel



Roll-up grille in rustproof high-grade steel V2A 1.4301. With matching frame in anodized aluminium in natural colour, including black rubber strip to cover the bottom side of the frame, and to avoid contact noises.

Free air flow 60%.





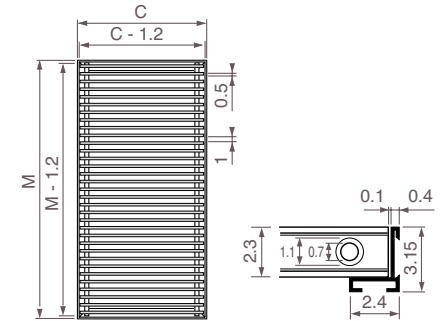
Mini Canal > overview grilles

ROLL-UP ALUMINIUM GRILLES

NATURAL COLOURED **RNA** Roll-up **NA**tural
 BLACK **RBL** Roll-up **BL**ack
 DARK BROWN **RDB** Roll-up **Dark B**rown
 BRASS COLOURED **RBR** Roll-up **BR**ass



Roll-up anodized aluminium grille with frame in the same colour. Free air flow 70%.



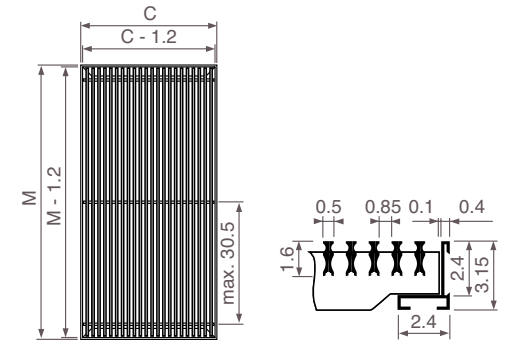
DESIGNO RIGID ALUMINIUM GRILLES



NATURAL COLOURED **DNA** Designo **NA**tural
 BLACK **DBL** Designo **BL**ack
 DARK BROWN **DDB** Designo **Dark B**rown
 BRASS COLOURED **DBR** Designo **BR**ass



Rigid anodized aluminium grille, Designo model with reduced slat spacing. Frame in the same colour. Free air flow 62.5%.

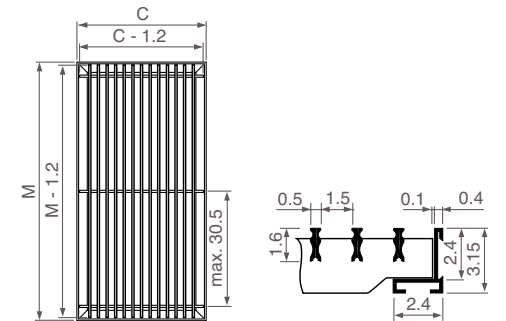


RIGID ALUMINIUM GRILLES

NATURAL COLOURED **SNA** Stiff **NA**tural
 BLACK **SBL** Stiff **BL**ack
 DARK BROWN **SDB** Stiff **Dark B**rown
 BRASS COLOURED **SBR** Stiff **BR**ass

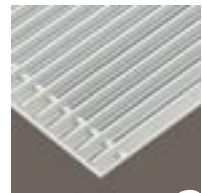


Rigid anodized aluminium grille with frame in the same colour. Free air flow 75%.



DESIGNO RIGID ALUMINIUM GRILLES LACQUERED

LACQUERED **COLOUR/DNA**
 Designo stiff **NA**tural

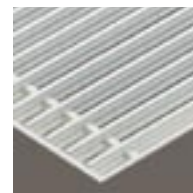


To ensure a perfect adherence of the lacquer coating, the anodized aluminium is painted with an extremely wear-resistant and UV-resistant polyester lacquer coating of the highest quality. Grille and frame in the same colour, gloss degree 70%: see colour chart. Attention: only the colour codes beginning with 4 and colour 006 are suitable (extra hard-wearing).



RIGID ALUMINIUM GRILLES LACQUERED

LACQUERED **COLOUR/SNA**
 Stiff **NA**tural



To ensure a perfect adherence of the lacquer coating, the anodized aluminium is painted with an extremely wear-resistant and UV-resistant polyester lacquer coating of the highest quality. Grille and frame in the same colour, gloss degree 70%: see colour chart. Attention: only the colour codes beginning with 4 and colour 006 are suitable (extra hard-wearing).

