

# Fan-Assisted Radiators

## Skyline® - Ceiling Mounted

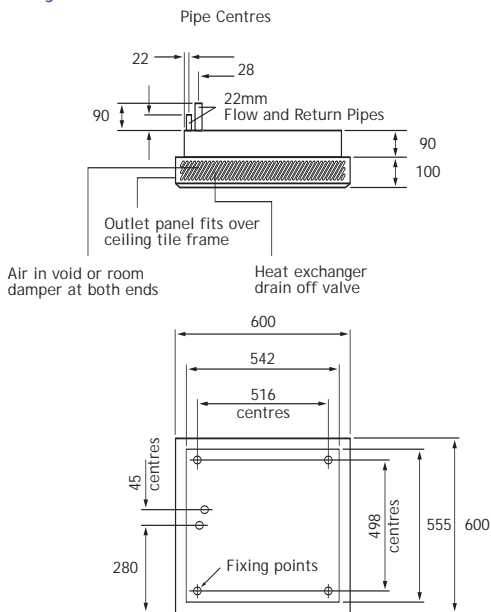
	Model	Room size Guide* (m <sup>2</sup> )	Heat Output				Casing Colour	Fan Only
			Normal		Boost			
			Watts	Btu/h	Watts	Btu/h		
Hydronic	CT18	78	3571	12000	5588	19000	Ash Grey	•
Electric	E 4kW	89	4kW	-	n/a	n/a	Ash Grey	•

Hydronic outputs tested in accordance with BS 4856. Fan only option operational only when central heating system is switched off.

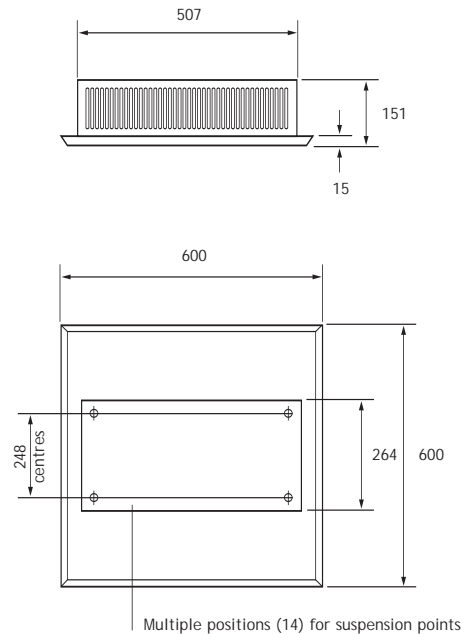
\*Room sizes given in cubic metres for general guidance only based on normal heat output for domestic applications.

	Model	Flow & Return Connections	Mains Cable	Transformer	Flexible Hoses	Isolating Valves	Fused Spur	Power Consumption		Water Capacity (Litres)
								Normal Watts	Boost Watts	
Hydronic	CT18	22mm	1.5m	n/a	n/a	n/a	3A	50	70	0.9
Electric	E 4kW	n/a	1.5m	n/a	n/a	n/a	20A	4045	n/a	n/a

### Skyline® CT18



### Skyline® E 4kW



All dimensions in mm

### Skyline® CT18

#### Finish

Outer casing 0.7mm zinc coated steel. Polyester powder coated. Paint specification: ash grey BS 4800 00A01 18% gloss.

#### Installation

- Maximum installation height 3.2m (10'6") to underside.
- Installed to 180mm - penetration depth in recess (excluding fittings).
- Four air inlet options: room only, void only, room and void, fresh air (spigot required).
- 600mm side clearance required.

- Fixing brackets (4) supplied for connection to 6mm threaded rods or chains (rods and chains - not supplied).
- Blanking plates (2) supplied for air circulation options.
- Unit must be earthed.
- Supplied with remote operating switch.
- Suitable for two-pipe central heating systems only.

#### Commissioning

Check water temperature is hot enough to activate low temperature cut out (LTC). The inclusion of an automatic air vent at the highest point is recommended to avoid possible air locks.

#### Controls

Two rocker fan switches - normal/off/boost, fan-heating/fan-only.

Low temperature cut out thermostat set to energise fan at approx. 42°C (108°F).

#### Accessories

Remote wall mounted room thermostat with on/off switch. Fresh air inlet spigot to suit 100mm flexible hose.

### Skyline® E 4kW

#### Finish

Outer casing 0.9mm zinc coated steel. Polyester powder coated. Paint specification: ash grey BS 4800 00A01 18% gloss.

#### Installation

- Maximum installation height 3.2m (10'6") to underside.
- Minimum 150mm void space required for recessed installation.
- Not suitable for bathrooms and other high humidity areas.
- Two air inlet options: room only, room and void.

- Maximum flexibility in installation: only 600mm - side clearance required.
- Facility for connection to 6mm threaded rod or chains (rods and chains - not supplied).
- 20 amp fused spur required.
- Unit must be earthed.
- Supplied with remote operating switch.

#### Controls

Rocker switches for fan and element.

Overheat protection: thermal cut out.

Manual reset procedure: switch power off at mains, wait 5 minutes, switch power on.

Remote room thermostats used in conjunction with this product must be rated at 16A minimum.

#### Accessories

[Surface mounting kit](#) - 135mm. Provides a complete four-sided trim when fitted to a solid ceiling.

[Ceiling tile spacer](#) - 85mm. Provides semi-recessed profile to match Skyline® CT18 when used in ceiling tile frame.