

Hot Box

Installation Guide



Main material of manufacture of the heating element is steel

Attention The connection of this radiator to a central heating system should be carried out by a suitably competent person who is familiar with current regulations.

Read this guide before starting installation

Handling Advice

Please refer to the manual handling guidelines that are supplied with this product. This gives important information about the safe lifting of these radiators to minimise risk and damage.

Water Treatment

These products are for use on closed heating systems only; they are not suitable for installation on secondary HWS circuits.

On completion of the installation the entire system MUST be thoroughly cleaned and flushed to remove debris/flux residues etc. If a chemical cleanser is used, it must be thoroughly flushed from the system. Following this, the system MUST be dosed with a good quality water treatment to prevent corrosion. System design, flushing and dosing must be in accordance with BS 5449: 1990, BS EN 12828: 2003 and BS 7593: 1992

IMPORTANT: Failure to observe these requirements will render the guarantee on the product void.

Corrosion inhibitor must be used in accordance with the manufacturer's instructions and recommendations and should take into account the particular metals within the system.

Cleaning & Aftercare

The external surface of the radiator should be cleaned with mild detergent. No Solvents, Chlorides or Abrasives should be used.

Operating Pressure

Maximum 6 bar

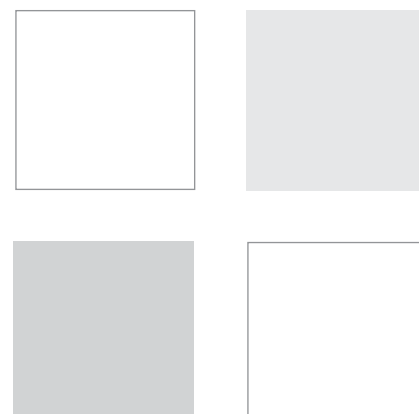
Further Information

These radiators have been designed, manufactured and tested to ensure a long-lasting use. Should you require any further information, help or advice, or have any difficulties with these products or their installation and use, please contact our office on:

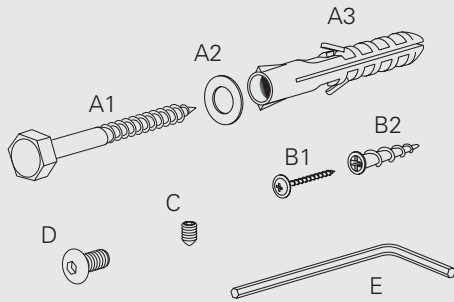
Tel: 01268 591010 Fax: 01268 728202

Web: www.mhsradiators.com

write to: 35 Nobel Square, Burnt Mills Industrial Estate, Basildon, Essex SS13 1LT



Installation Instructions



Installation Accessories:

- A1)** 4 Nr Hex head screws
- A2)** 4Nr M8 Plain Washers
- A3)** 4 Nr 10mm Wall Plugs
- B1)** 16 Nr Screws for Plasterboard Fixings
- B2)** 16 Nr Wall Plugs for Plasterboard
- C)** 4 Nr Grub Screws
- D)** 2Nr Socket head cover fixing screws
- E)** Key for socket head screws

Note:

The Hot Box towel warmer has concealed water connections and the flow and return pipes must either be buried in the wall or be routed through the wall from behind. Take care not to bury pipes in positions later drilled for wall fixings. The flow and return pipes must pass through the slotted opening at the centre of lower part of the wall mounting frame

Wall Mounting

- 1:** At the chosen installation position, offer up the mounting frame as a template and mark the fixing point positions, using either the attachment points within the sockets at each corner (for walls of solid construction) or the 16 Nr alternative points around the frame (for plasterboard construction walls).
- 2:** Drill the wall at the selected fixing points and attach the frame securely to the wall using the appropriate supplied fixings.
- 3:** Install radiator valves and air vent into connection tapings on heating element.
- 4:** Offer up the heating element and engage the tubular stubs on the rear of the element into the sockets on the mounting frame and secure using grub screws "C".
- 5:** Make final water connections into radiator valves and fill, vent and test the unit, ensuring all connections are watertight.
- 6:** Offer up the stainless steel cover and secure to the frame using socket head screws "D" and key "E". Cover fixing points are at the outer and inner undersides.

