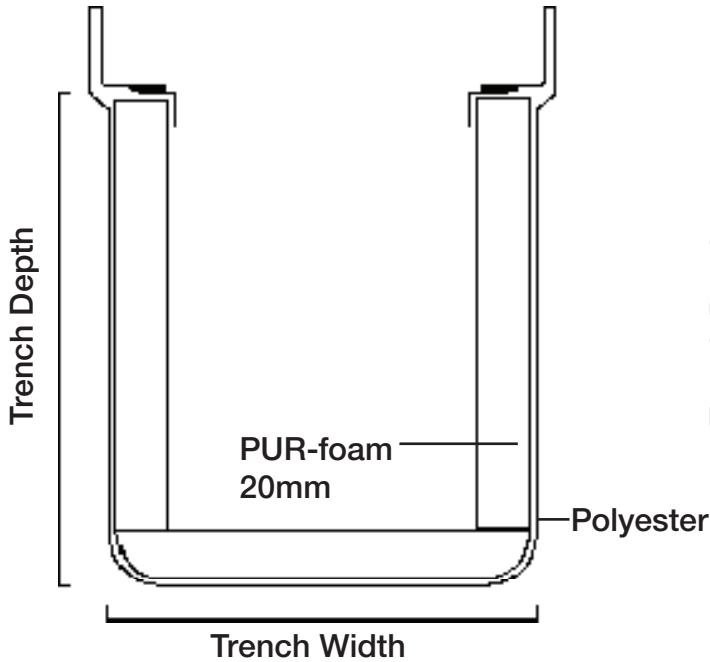
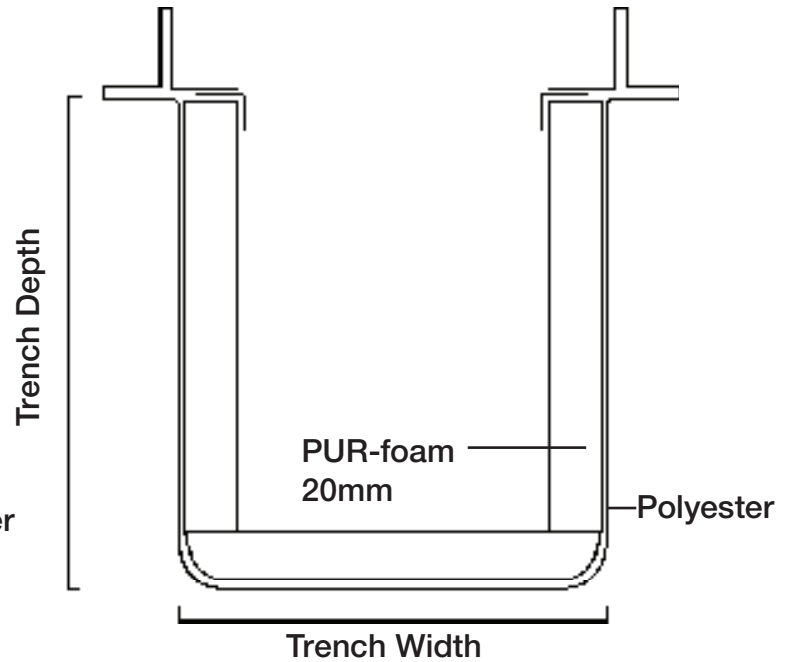


Trench

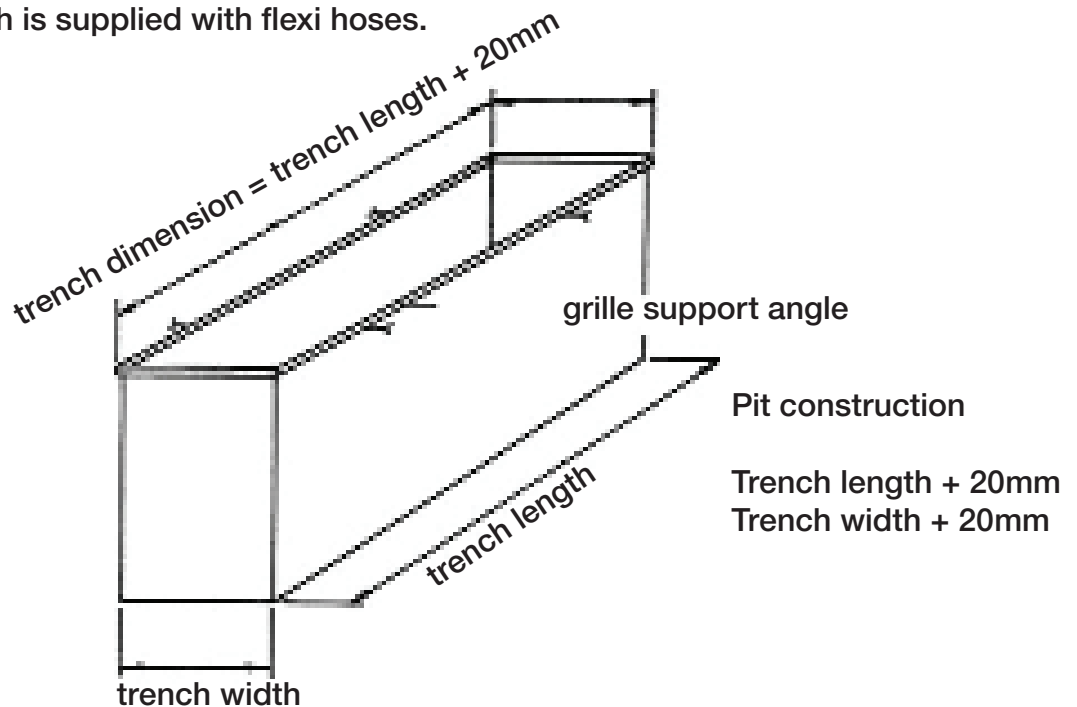
The Trench is provided complete including your choice of grille to be specified at time of order and flexi hoses. Optional retro-fit profile must be specified at time of order.



This is the standard Trench profile suited to new builds. The Frame protrudes from the sides to allow screed for flooring to be laid over the frame. The Trench frame is recessed 30 x 30 x 3mm for wood grilles and 25 x 35 x 3mm for aluminium grilles. For easy installation the Trench is supplied with flexi hoses.

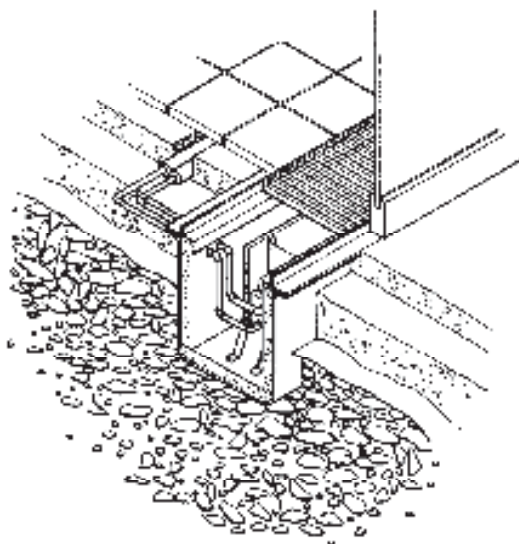
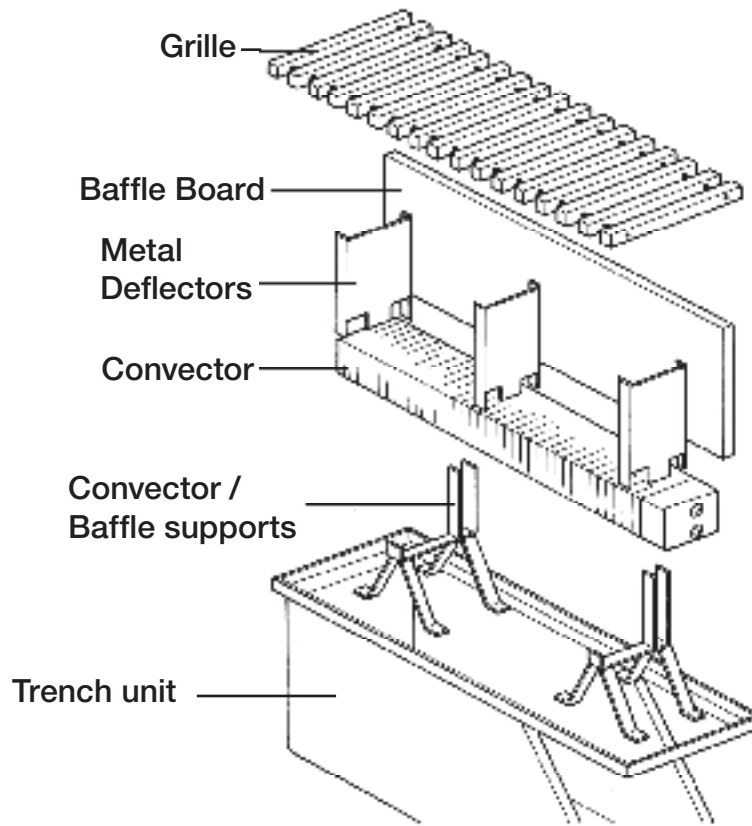


This is the profile of the Trench available for retro-fit and must be specified at time of order.

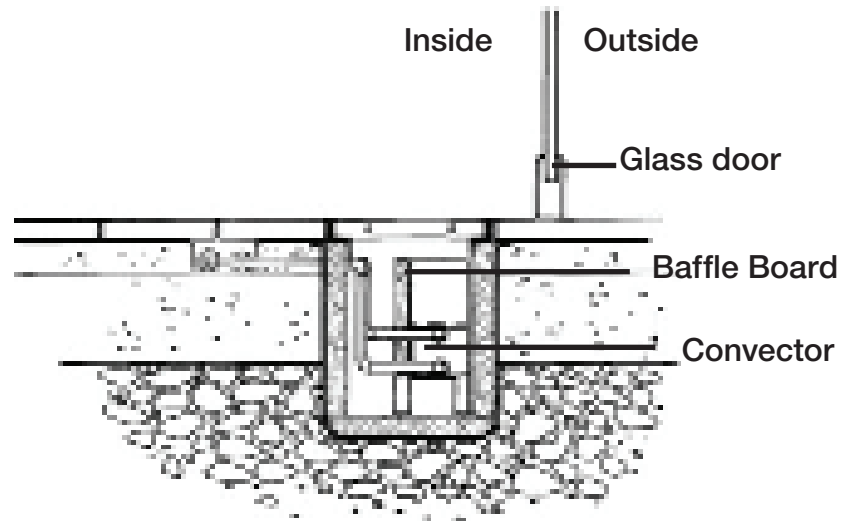


For further information please telephone us on:

01342 302250



This illustration shows a typical installation. Please note how the pipe work enters the Trench unit just below the frame prior to connection with the convector unit.



This cross section shows the correct installation for the Trench unit. Please note the position of the convector unit and Baffle Board against the outside edge with the Baffle Board in the centre of the Trench