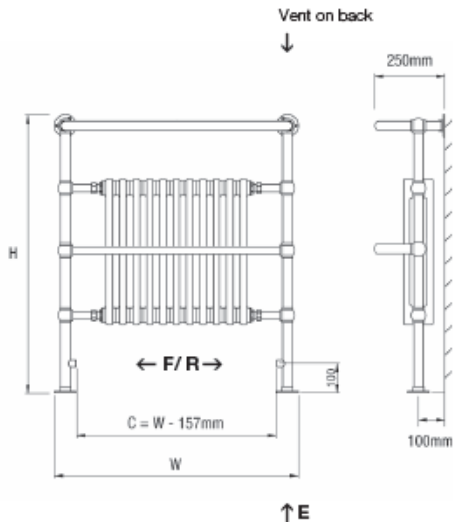


TECHNICAL INFORMATION
STANDARD
CONNECTIONS 1/2"

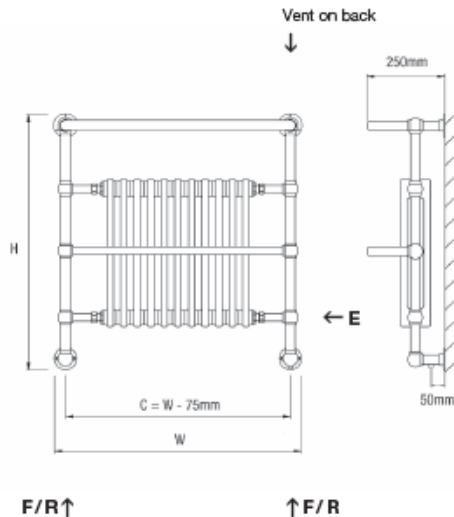
F = Flow
R = Return

E = Element
P = Position

Tube Diameter = 31.8mm



Old Buckenham – Floor Mounted



Old Buckenham – Wall Mounted