

Sitar Lato



Dual Fuel options see pages 116-117

1348mm x 500mm in RAL 9007 with Nickel Cylinder valves

Sitar Lato shown on page 102

High quality Italian design & manufacture.
Steel: 23mm cross tubes
UKCA approved & certified to BS EN442

White RAL 9016 as standard, 188 RAL Colours and 30 Special Finishes
Please call **01342 302250** for a RAL or Special Finish chart

Stock White RAL 9016: 48-72 Hours

Made to Order sizes & colours: Up to 5 weeks

Stock options White RAL 9016

| Height (mm) | Width (mm) | Model | Watts $\Delta t 50^{\circ}c$ | Btu's $\Delta t 50^{\circ}c$ |
|-------------|------------|------------|------------------------------|------------------------------|
| 832 | 500 | SITLAT8350 | 394 | 1344 |
| | 600 | SITLAT8360 | 455 | 1552 |
| 1348 | 500 | SITLAT1350 | 612 | 2088 |
| | 600 | SITLAT1360 | 708 | 2416 |

Made to order options

| Height (mm) | Width (mm) | Model | Watts $\Delta t 50^{\circ}c$ | Btu's $\Delta t 50^{\circ}c$ |
|-------------|------------|------------|------------------------------|------------------------------|
| 832 | 700 | SITLAT8370 | 515 | 1757 |
| 1348 | 700 | SITLAT1370 | 801 | 2733 |
| 1778 | 500 | SITLAT1750 | 799 | 2726 |
| | 600 | SITLAT1760 | 924 | 3153 |
| | 700 | SITLAT1770 | 1044 | 3562 |

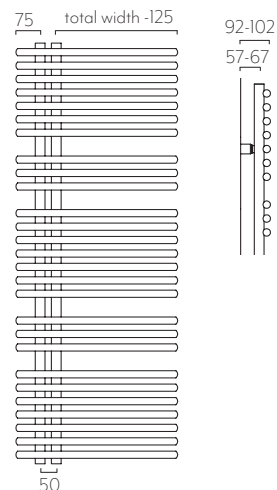
*Saving based on the value of individual items when bought separately. Order any of our selected valves & matching pipe covers at the same time as your radiator; PROMOV3W (white), PROMOV3C (chrome).



SAVE MONEY! WHEN YOU BUY OUR CYLINDER KIT WITH ANY TOWEL RAIL ORDER* QUOTE **PROMOV3** AT TIME OF ORDER

Available in White or Chrome

| |
|-----------------------------------|
| Pipe centres left to right |
| 50mm |
| Pipe centres from wall |
| 57mm - 67mm |
| Depth from wall |
| 92mm - 102mm |



Sitar BDO shown on page 103

High quality Italian design & manufacture
Steel: 23mm cross tubes
UKCA approved & certified to BS EN442

White RAL 9016 as standard, 188 RAL Colours and 30 Special Finishes
Please call **01342 302250** for a RAL or Special Finish chart

Stock White RAL 9016: 48-72 Hours

Made to Order sizes & colours: Up to 5 weeks

Stock options White RAL 9016

| Height (mm) | Width (mm) | Model | Watts $\Delta t 50^{\circ}c$ | Btu's $\Delta t 50^{\circ}c$ |
|-------------|------------|------------|------------------------------|------------------------------|
| 373 | 1220 | SITBDO3712 | 517 | 1764 |
| | 1520 | SITBDO3715 | 647 | 2208 |
| 543 | 1220 | SITBDO5412 | 776 | 2648 |
| | 1520 | SITBDO5415 | 967 | 3299 |

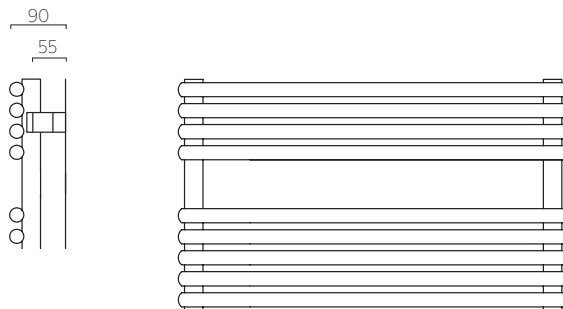
Made to order options

| Height (mm) | Width (mm) | Model | Watts $\Delta t 50^{\circ}c$ | Btu's $\Delta t 50^{\circ}c$ |
|-------------|------------|------------|------------------------------|------------------------------|
| 373 | 520 | SITBDO3752 | 240 | 819 |
| 543 | 520 | SITBDO5452 | 360 | 1228 |
| | 520 | SITBDO9852 | 646 | 2204 |
| 985 | 1220 | SITBDO9812 | 1383 | 4719 |
| | 1520 | SITBDO9815 | 1716 | 5855 |



SAVE MONEY! WHEN YOU BUY OUR CYLINDER KIT WITH ANY TOWEL RAIL ORDER* QUOTE **PROMOV3** AT TIME OF ORDER

Available in White or Chrome



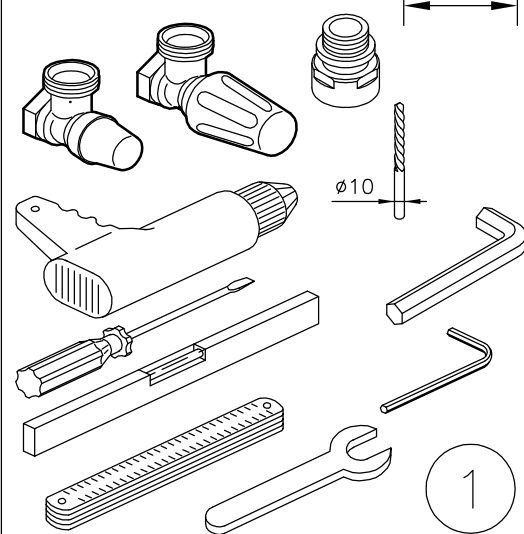
| | | |
|-----------------------------------|-------------------------------|------------------------|
| Pipe centres left to right | Pipe centres from wall | Depth from wall |
| width - 50mm | 55mm | 90mm |

*Saving based on the value of individual items when bought separately. Order any of our selected valves & matching pipe covers at the same time as your radiator; PROMOV3W (white), PROMOV3C (chrome).

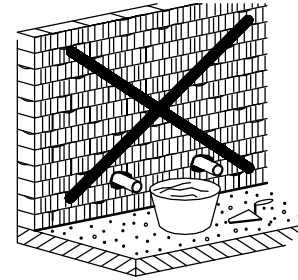
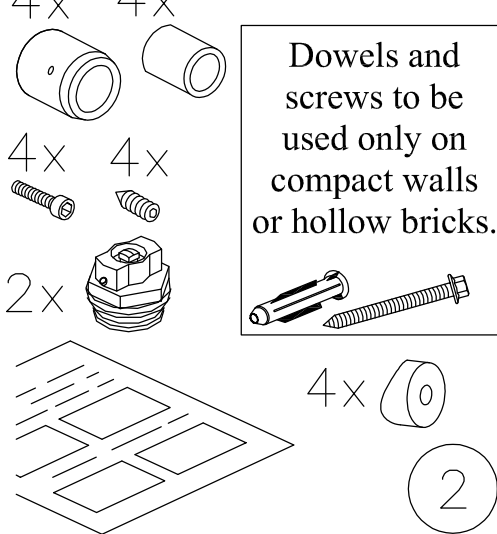
SITAR LATO TOWEL RAIL

Fitting Instructions

Accessories not included



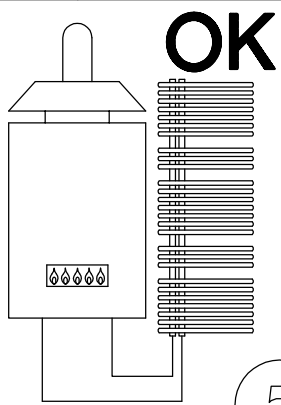
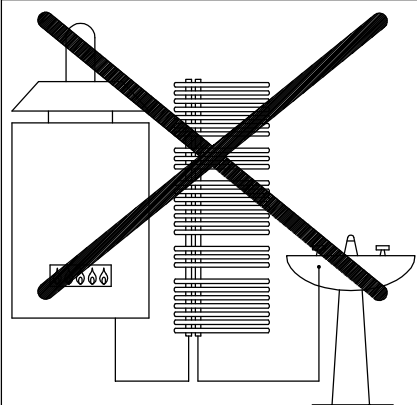
Accessories included



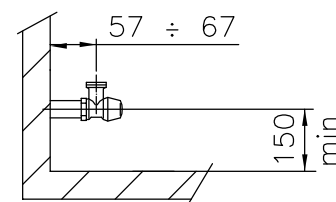
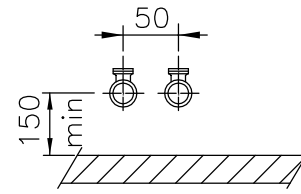
3



4

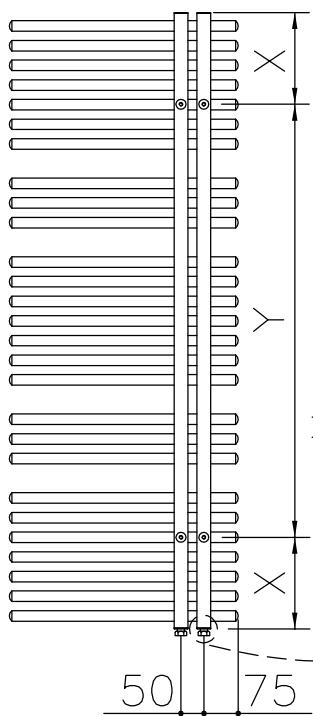


5

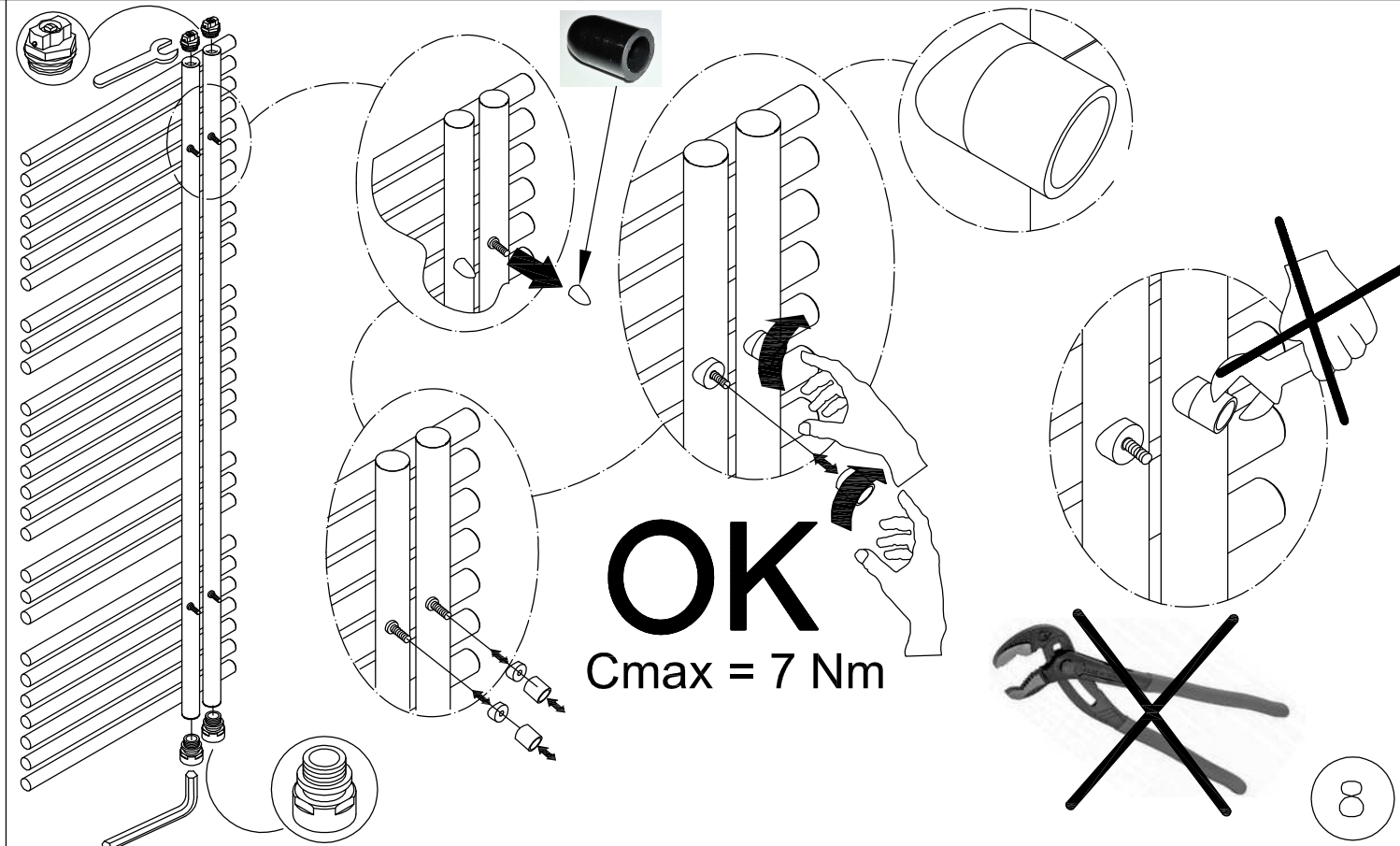


6

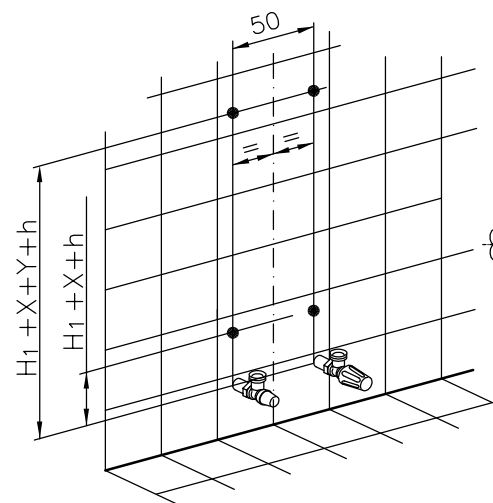
| H | X | Y |
|--------|-----|------|
| 832±2 | 201 | 430 |
| 1348±2 | 201 | 946 |
| 1778±2 | 201 | 1376 |



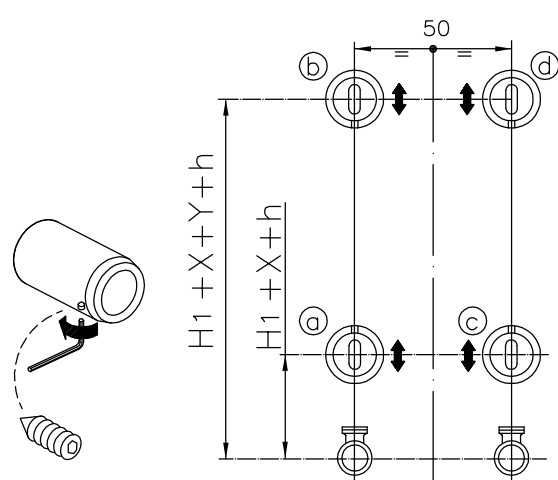
7



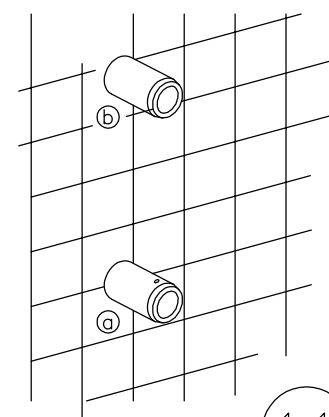
8



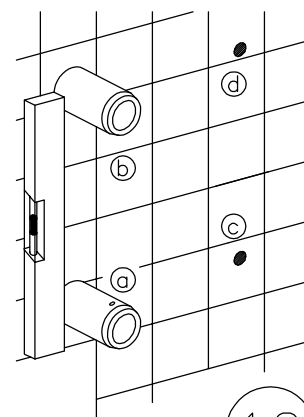
9



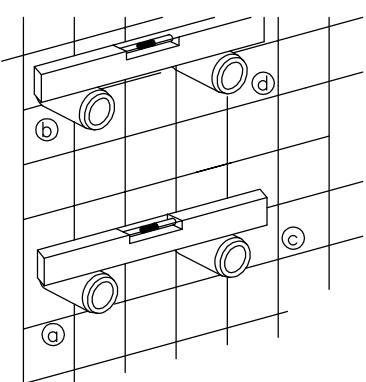
10



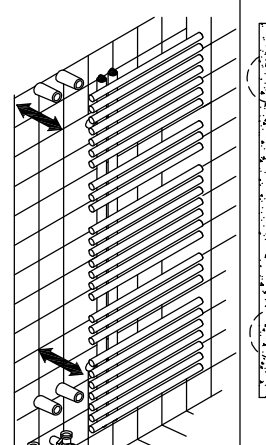
11



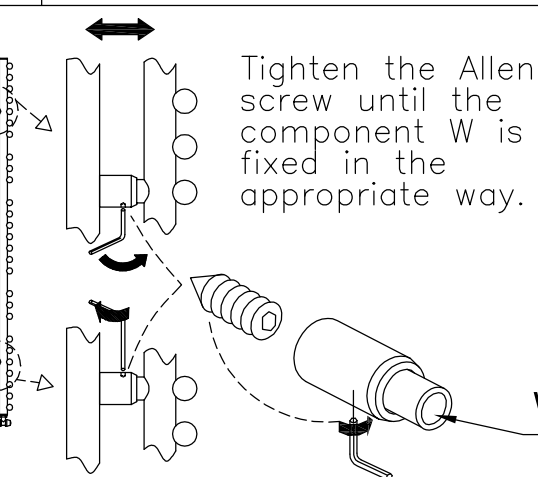
12



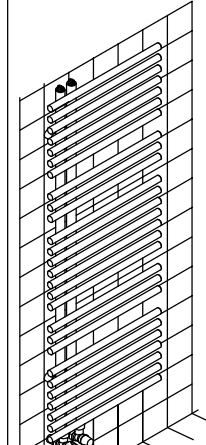
13



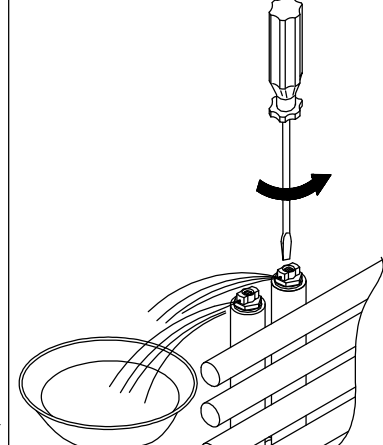
14



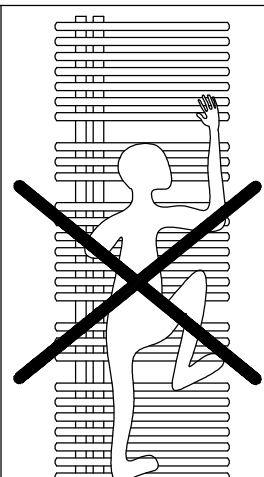
15



16



17



18

COMMISSION

Please Note: In accordance with Part L1 2006 of the Building Regulations and BS7593:1992 code of practice for the treatment of hot water and central heating systems, we strongly recommend flushing the heating system post installation of new radiators and then adding the correct quantity and type of inhibitor for use with your radiator and system to prevent corrosion. Damage caused to systems not protected by a suitable inhibitor will not be covered by manufacturer's guarantee.

TECHNICAL SPECIFICATIONS

| | |
|------------------------------------|---|
| Materials | Mild Steel. |
| Connections | ½ flow and return. |
| Test pressure | 11 Bar |
| Testing authority | EN 442 |
| Maximum operating pressure | 8 Bar |
| Maximum working temperature | 95°C |
| Packaging | Wrapped in polyethylene with cardboard box. |

PLEASE NOTE: Systems using micro bore pipework must have adequate pressure and flow rates for the number and style of radiators on the system.

TERMS & CONDITIONS

All products must be inspected once removed from the packaging and The Radiator Company notified within 28 days of delivery of any scratches, blemishes or other damage.

The Radiator Company will then replace the radiator.

Imperfect radiators should therefore not be fitted and The Radiator Company will not accept responsibility for replacement of scratched or damaged radiators once they have been fitted. This includes any consequential loss or cost of fitting.

If The Radiator Company are not notified within 28 days of the date on the signed delivery note then it will be deemed that The Radiator Company have fully complied with its obligations and claims will not be considered.

Failure to comply with any of the above may invalidate any claims.

We recommend that after you check the product on delivery that it is stored in its packaging to prevent damage prior to installation. The Radiator Company cannot accept responsibility for items damaged after delivery.

GUARANTEES & LIABILITIES

This product is guaranteed for 10 years . The guarantee is subject to the product being installed in accordance with British and or European standards as well as these fitting instructions. The guarantee in all cases are restricted to the free of charge replacement or repair of the failed product only. Our liability will under no circumstances extend beyond the repair or replacement of the product supplied by us. Claims for either labour in replacement or damage to property are not admissible. Any goods that are returned, in the event of a problem, will belong to The Radiator Company.

The Radiator Company
Units 13 - 14 Charlwoods Road
East Grinstead
West Sussex
RH19 2HU

A brand of **IRSAP** , Italy's leading manufacturer of design led radiators.

If you have any questions please contact us on 01342 302250
www.theradiatorcompany.co.uk