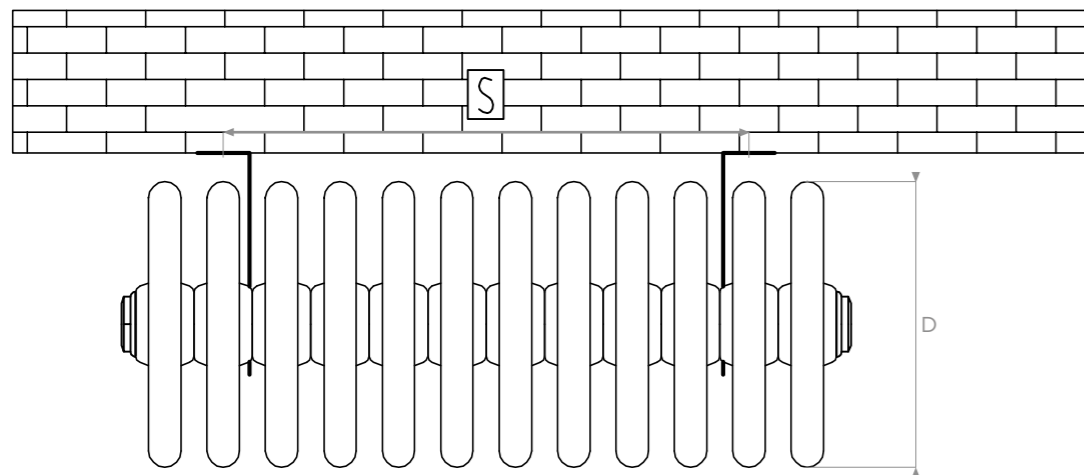
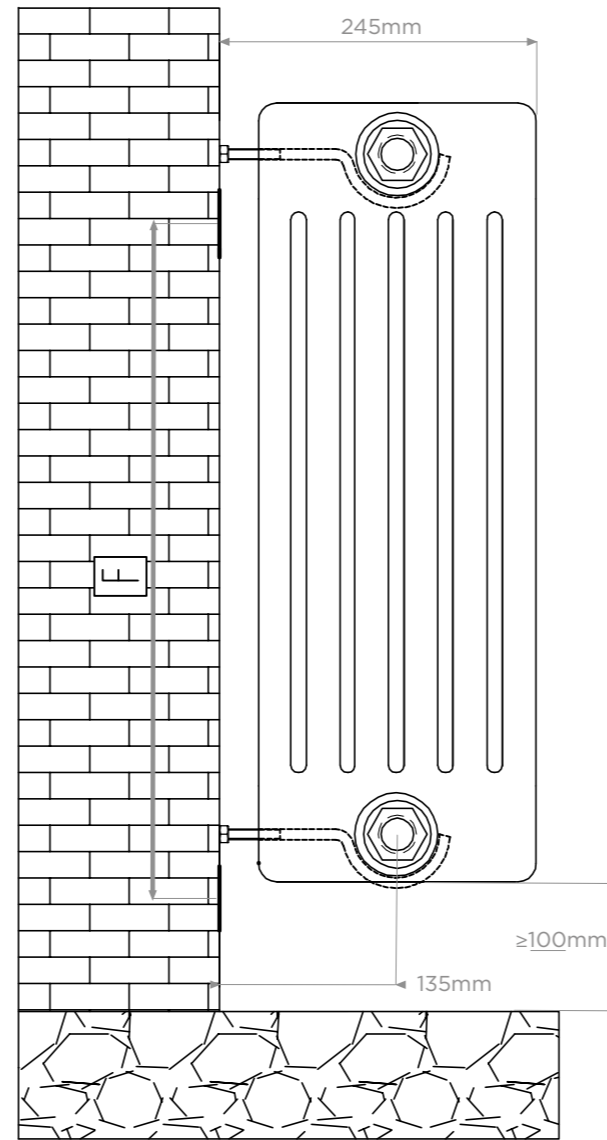
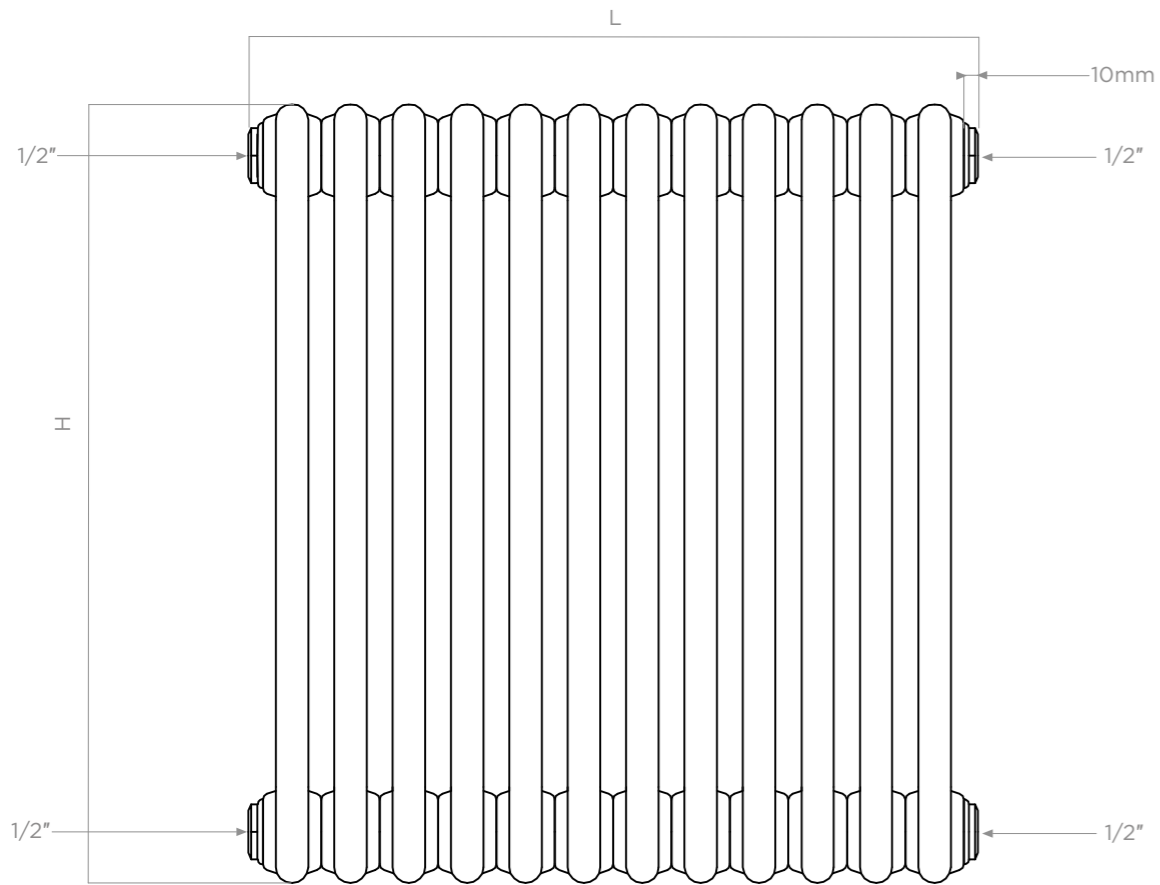
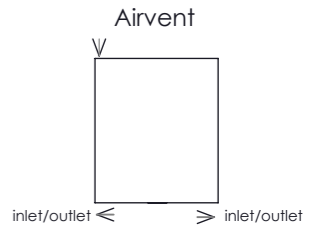


ALL MEASUREMENTS ARE IN MILLIMETRES | MANUFACTURED FROM MILD STEEL



All Dimensions are in mm  
 Max. Working Pressure: 6 Bar  
 Max. Working Temperature: 95° C  
 Inlet / Outlet : 1/2" BSP  
 Fuel Type: H

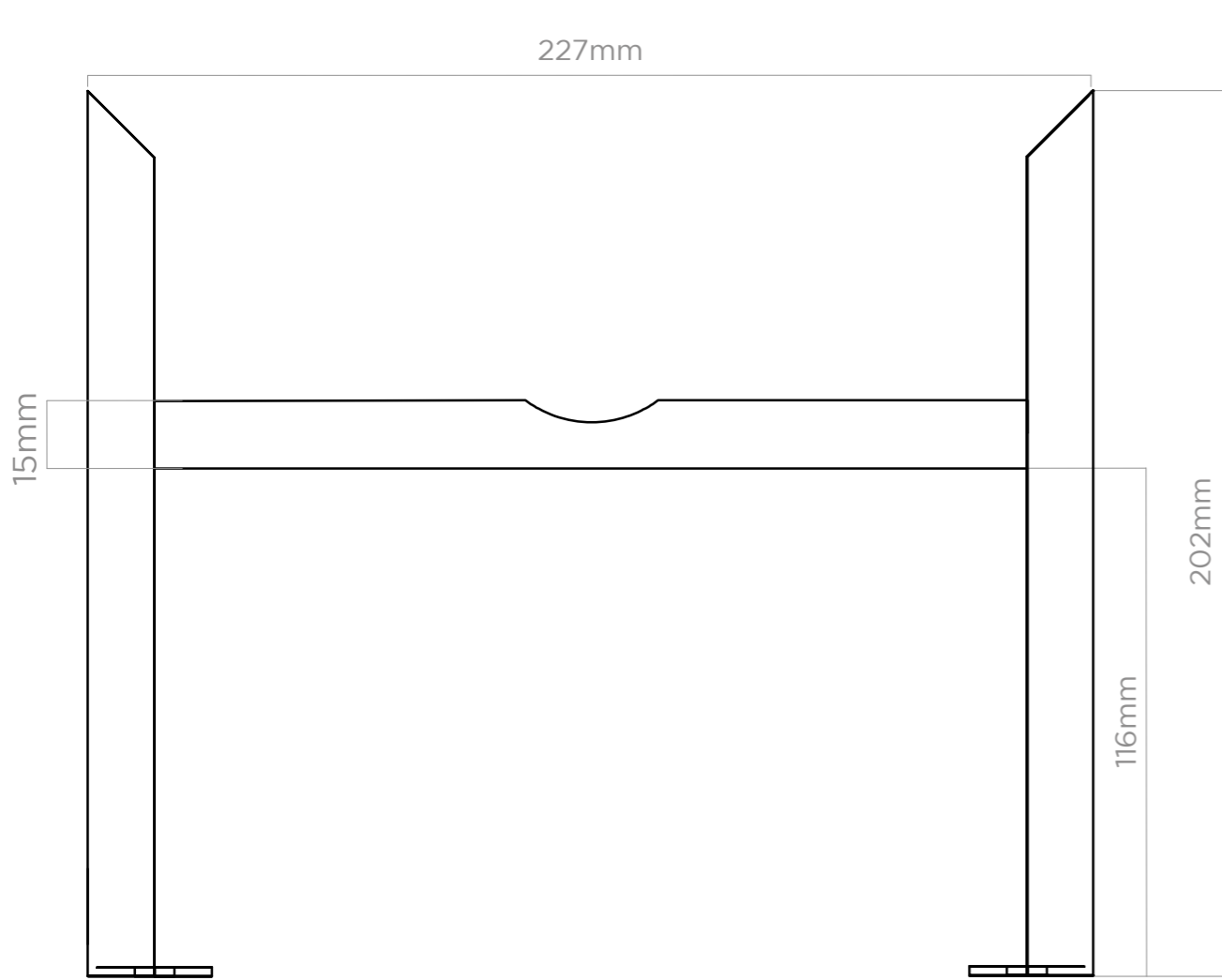
### Fitting Position:



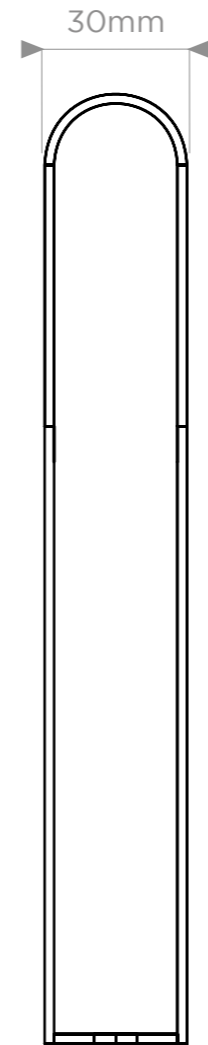
PRODUCT CODE	HEIGHT (H)	LENGTH (L)	DEPTH (D)	PIPE CENTRES (C)	BRACKET CENTRES	
	mm	mm	mm	mm	F mm	S mm
C6030919	300	864	220	954	213	708
C6031125	300	1130	220	1220	213	886
C6031632	300	1440	220	1530	213	1196
C6031636	300	1617	220	1707	213	1373
C6050409	500	421	220	511	413	265
C6050613	500	598	220	688	413	442
C6050716	500	731	220	821	413	575
C6050919	500	864	220	954	413	708
C6051225	500	1130	220	1220	413	886
C6051636	500	1617	220	1707	413	886
C6060409	600	421	220	511	513	1373
C6060613	600	598	220	688	513	265
C6060716	600	731	220	821	513	442
C6060919	600	864	220	954	513	708
C6060922	600	997	220	954	513	753
C6061225	600	1130	220	1220	513	886
C6061632	600	1440	220	1707	513	1196

ALL MEASUREMENTS ARE IN MILLIMETRES | MANUFACTURED FROM MILD STEEL

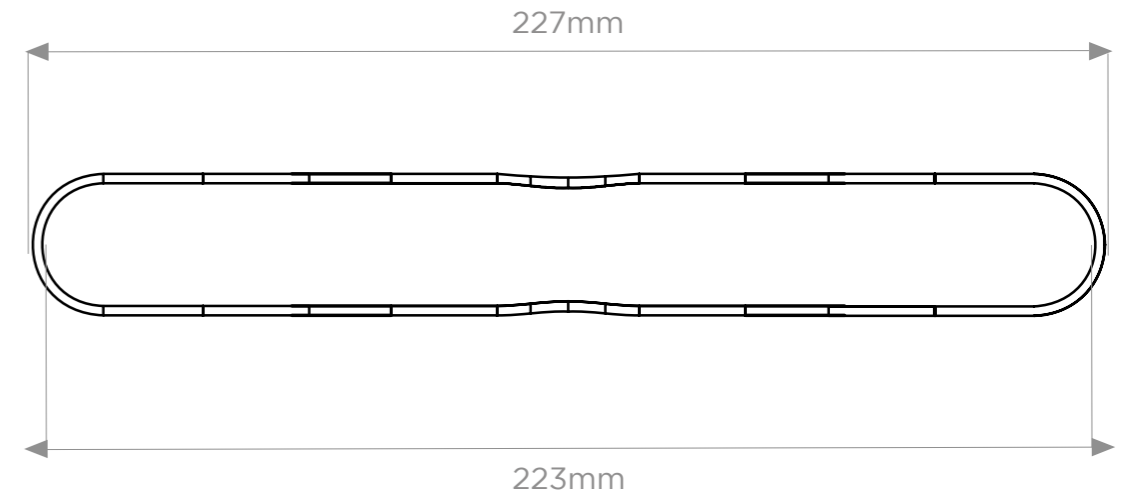
**C6FT**



C6FT Feet Front View



C6FT Feet Side View



C6FT Feet Top View