



# GIADA 18 SATIN STAINLESS STEEL VERTICAL



**WARRANTY**  
**10 YEARS**

## RESTYLING

### MATERIAL:

- Horizontal collectors in satin stainless steel,  $\varnothing$  30 mm.
- Vertical elements in satin stainless steel  $\varnothing$  18 mm.

### FIXING KIT:

Brackets, airvent, hexagonal tool, plugs and screws for mounting suitable for use on compact or hollow brick, user notice.

### PACKAGING:

Carton angular and profiles protected by a recyclable film in polyethylene. User notice included.

### FEATURES:

It is totally made in stainless steel with an unalterable finishing guaranteed during the years.

### ACCESSORIES:

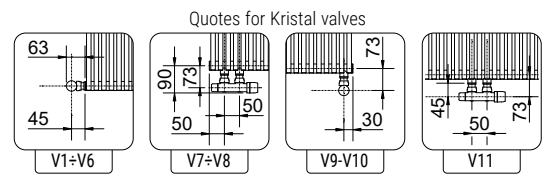
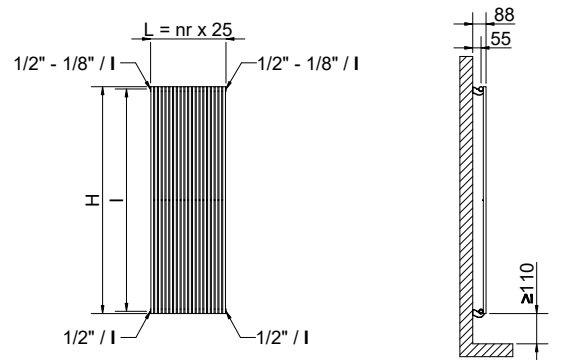
For the complete list, please refer to the accessories chapter.

Height H [mm]	400	500	600	800	1000	1200	1400	1500	1600
Therm. output per el. $\Delta t = 50^\circ\text{C}$ [Watt]	11,8	14,1	16,6	21,2	25,7	30,2	34,5	36,7	38,8
Therm. output per el. $\Delta t = 30^\circ\text{C}$ [Watt]	6,0	7,4	8,5	10,9	13,2	15,4	17,6	18,7	19,8
Dry Weight per section [kg]	0,211	0,252	0,294	0,378	0,462	0,546	0,630	0,672	0,714
Element water content [lt]	0,110	0,130	0,151	0,191	0,231	0,271	0,311	0,332	0,352
Element surface [m <sup>2</sup> ]	0,027	0,033	0,039	0,050	0,061	0,073	0,084	0,090	0,095
Exp. n	1,3612	1,2981	1,3025	1,3063	1,3106	1,3183	1,3254	1,3292	1,3322
Pipe centres l [mm] (V3-V4 only)	370	470	570	770	970	1170	1370	1470	1570

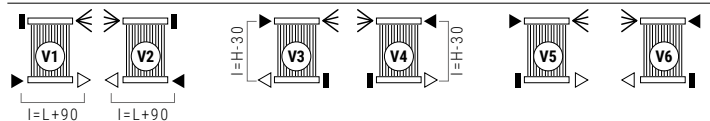
For output at different  $\Delta T$ , please refer to the following formula: desired output = output at  $\Delta T 50^\circ\text{C}$  x (desired  $\Delta T/50$ )<sup>n</sup>

Height H [mm]	1700	1800	1900	2000	2200
Therm. output per el. $\Delta t = 50^\circ\text{C}$ [Watt]	41,0	43,2	45,3	47,5	51,8
Therm. output per el. $\Delta t = 30^\circ\text{C}$ [Watt]	20,9	21,9	23,1	24,1	26,3
Dry Weight per section [kg]	0,756	0,798	0,840	0,882	0,966
Water content [lt]	0,372	0,392	0,412	0,432	0,472
Element surface [m <sup>2</sup> ]	0,101	0,106	0,112	0,118	0,129
Exp. n	1,3329	1,3336	1,3342	1,3348	1,3459
Pipe centres l [mm] (V3-V4 only)	1670	1770	1870	1970	2170

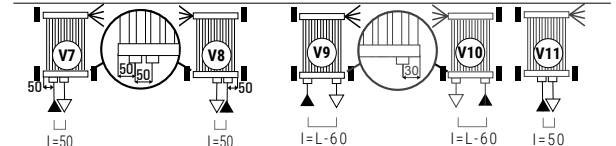
P. max: 8 bar  
Functioning: hot water  
T. max: 110° C  
Connections: n° 2 x 1/2" G - n° 1 da 1/8" G



### STANDARD CONNECTIONS WITHOUT SURCHARGE



### SPECIAL CONNECTIONS



LEGENDA:  $\blacktriangleright$  In  $\triangleright$  Out  $\triangleleft$  airvent H Height l pipe centres L width  $\square$  connection  $\blacksquare$  welded cap

Always specify the kind of connection needed when ordering.  
Bidirectional pipe connection not available

### HOW TO ORDER THE RADIATOR GIADA 18 SATIN STAINLESS STEEL VERTICAL

ARTICLE NR. STRUCTURE	Radiator model	Nr of Elements	Height in cm	Code of the connection	Art. nr. finishing:	Constant value
AAAA BB CCC DDD EEE C						

EXAMPLE	Radiator model	Nr of Elements	Height in cm	Code of the connection	Art. nr. finishing:	Constant value
GI18	GIADA 18 vertical	24	160	V08	X02	C

**EXAMPLE OF ARTICLE CODE CREATION**  
In the case of a radiator:  
**GI18** GIADA 18 VERTICAL  
**24** 24 elements  
**160** Height 1600 mm  
**V08** connection V8  
**X02** finishing: SATIN STAINLESS STEEL  
**C** (Constant value)  
 The article code will be:  
**GI18 24 160 V08 X02 C**

### ACCESSORIES

<p><b>Kristal valve square with thermostatic option satin</b></p> <p>Copper conn. <math>\varnothing</math> 12/14/15 Art. nr. 5991990321143</p> <p>Multilayer conn. <math>\varnothing</math> 16 Art. nr. 5991990321144</p>	<p><b>Kit 2 hooks SATIN STAINLESS STEEL</b></p> <p>Art. nr. 5991990010217</p>	<p><b>Thermostatic head satin</b></p> <p>(Kit 2 pieces)</p> <p>Art. nr. 5035270710018</p>
---	---	---

# GIADA 18 SATIN STAINLESS STEEL VERTICAL

INOX RANGE

Height H [mm]		400	500	600	800	1000	1200	1400	1500	1600
Width L [mm]	N° El.	Watt $\Delta t=50^{\circ}\text{C}$	Watt $\Delta t=50^{\circ}\text{C}$	Watt $\Delta t=50^{\circ}\text{C}$	Watt $\Delta t=50^{\circ}\text{C}$	Watt $\Delta t=50^{\circ}\text{C}$	Watt $\Delta t=50^{\circ}\text{C}$	Watt $\Delta t=50^{\circ}\text{C}$	Watt $\Delta t=50^{\circ}\text{C}$	Watt $\Delta t=50^{\circ}\text{C}$
125	5	59	71	83	106	128	151	173	184	194
150	6	71	85	100	127	154	181	207	220	233
175	7	82	99	116	149	180	211	242	257	272
200	8	94	113	133	170	206	241	276	294	310
225	9	106	127	150	191	231	271	311	330	349
250	10	118	141	166	212	257	302	345	367	388
275	11	129	156	183	233	283	332	380	404	427
300	12	141	170	200	255	308	362	414	441	466
325	13	153	184	216	276	334	392	449	477	504
350	14	165	198	233	297	360	422	483	514	543
375	15	176	212	250	318	385	452	518	551	582
400	16	188	226	266	339	411	483	552	587	621
425	17	200	240	283	361	437	513	587	624	659
450	18	212	255	300	382	462	543	622	661	698
475	19	223	269	316	403	488	573	656	698	737
500	20	235	283	333	424	514	603	691	734	776
525	21	247	297	349	446	539	633	725	771	815
550	22	259	311	366	467	565	664	760	808	853
575	23	270	325	383	488	591	694	794	844	892
600	24	282	339	399	509	617	724	829	881	931
625	25	294	354	416	530	642	754	863	918	970
650	26	306	368	433	552	668	784	898	955	1009
675	27	317	382	449	573	694	814	932	991	1047
700	28	329	396	466	594	719	844	967	1028	1086
725	29	341	410	483	615	745	875	1001	1065	1125
750	30	353	424	499	636	771	905	1036	1101	1164
775	31	364	438	516	658	796	935	1070	1138	1203
800	32	376	453	532	679	822	965	1105	1175	1241
825	33	388	467	549	700	848	995	1139	1211	1280
850	34	400	481	566	721	873	1025	1174	1248	1319
875	35	411	495	582	743					
900	36	423	509	599	764					
925	37	435	523	616	785					
950	38	447	537	632	806					
975	39	458	552	649	827					
1000	40	470	566	666	849					
1050	42	494	594	699	891					
1100	44	517	622	732	934					

All intermediate sizes are available for heights from 400 to 2000 mm

Height H [mm]		1700	1800	1900	2000
Width L [mm]	N° El.	Watt $\Delta t=50^{\circ}\text{C}$	Watt $\Delta t=50^{\circ}\text{C}$	Watt $\Delta t=50^{\circ}\text{C}$	Watt $\Delta t=50^{\circ}\text{C}$
125	5	205	216	227	238
150	6	246	259	272	285
175	7	287	302	317	333
200	8	328	345	363	380
225	9	369	388	408	428
250	10	410	432	453	475
275	11	451	475	499	523
300	12	492	518	544	570
325	13	533	561	589	618
350	14	574	604	635	665
375	15	615	647	680	713
400	16	656	691	726	760
425	17	697	734	771	808
450	18	738	777	816	856
475	19	779	820	862	903
500	20	820	863	907	951
525	21	860	906	952	998
550	22	901	950	998	1046
575	23	942	993	1043	1093
600	24	983	1036	1088	1141
625	25	1024	1079	1134	1188
650	26	1065	1122	1179	1236
675	27	1106	1165	1224	1283
700	28	1147	1208	1270	1331
725	29	1188	1252	1315	1378
750	30	1229	1295	1360	1426
775	31	1270	1338	1406	1473
800	32	1311	1381	1451	1521
825	33	1352	1424	1496	1568
850	34	1393	1467	1542	1616

ARDESIA®

TOWEL RAILS

ELECTRIC

STAINLESS STEEL

RADIATORS

VENTILATION RADIATORS

MYWAY® ACCESSORIES AND TECHNICAL SUPPORT