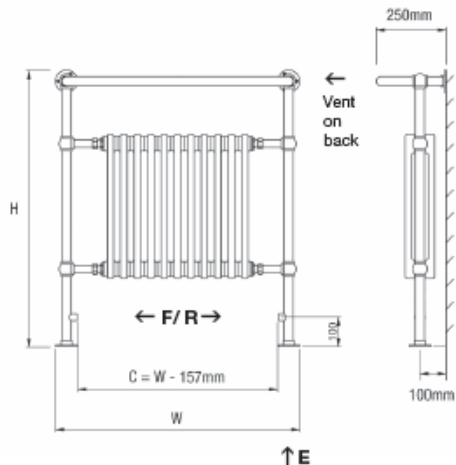


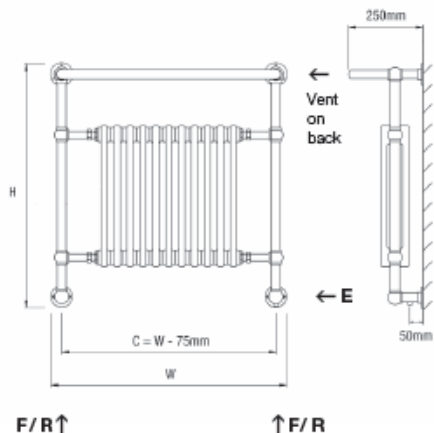
**TECHNICAL INFORMATION**  
**STANDARD**  
**CONNECTIONS 1/2"**

**F** = Flow  
**R** = Return  
**E** = Element  
**P** = Position

**Tube Diameter = 31.8mm**



**Croxton – Floor Mounted**



**Croxton – Wall Mounted**