

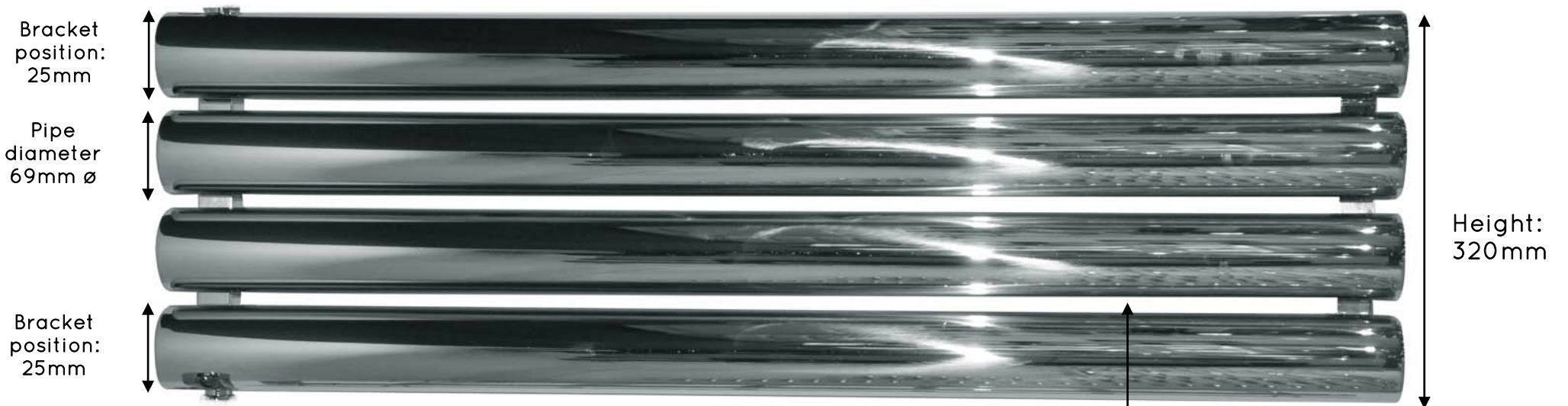
JIS EUROPE
100% STAINLESS STEEL

— EST 1997 —

HEATED TOWEL RAILS

Mayfield 1010mm x 320mm

Width: 1010mm

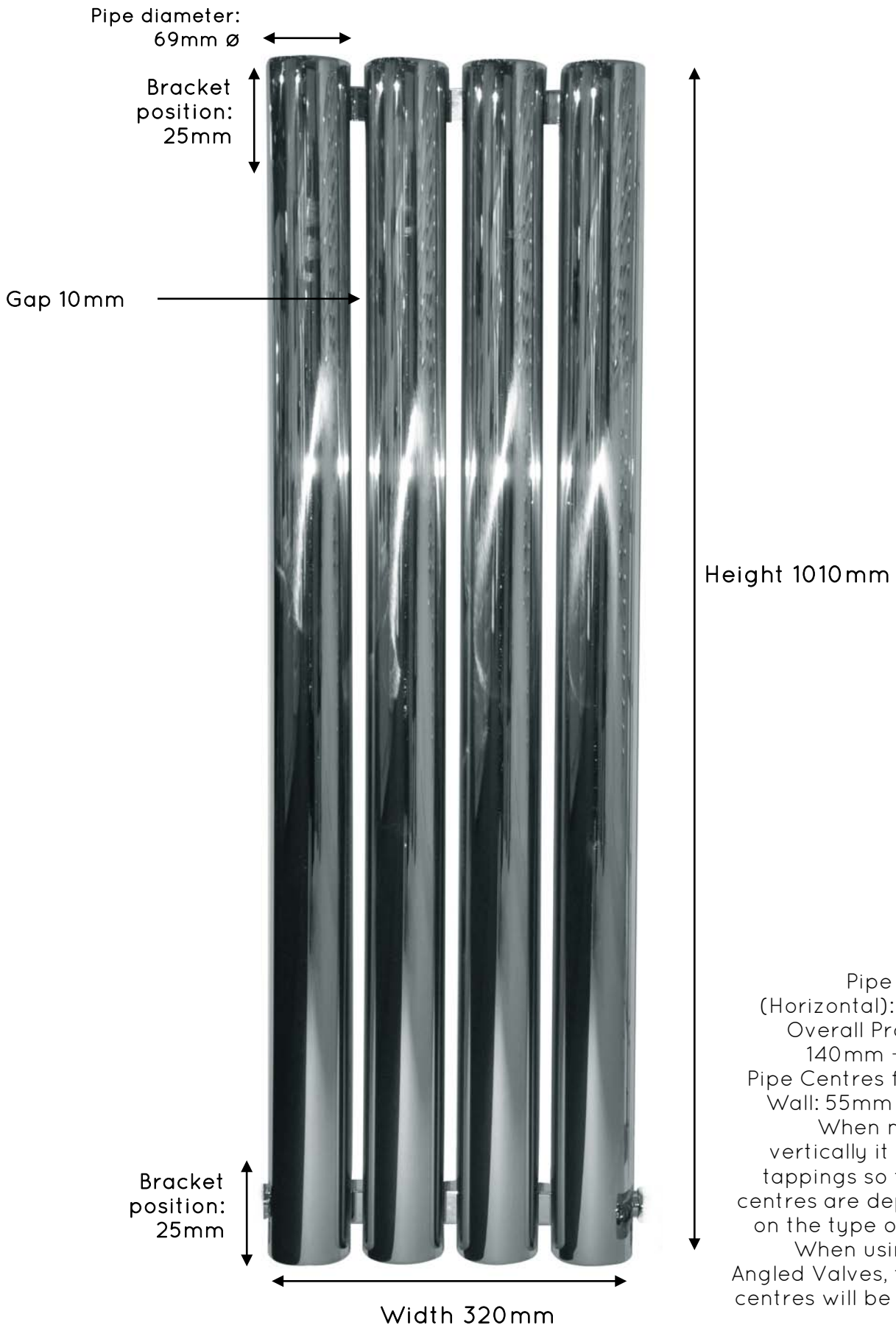


Pipe Centres (Horizontal): 950mm
Overall Projection: 140mm - 160mm
Pipe Centres from the Wall: 55mm - 75mm

Gap
10mm

JIS EUROPE
100% STAINLESS STEEL
— EST 1997 —

Mayfield 1010mm x 320mm



JIS EUROPE
100% STAINLESS STEEL

— EST 1997 —

HEATED TOWEL RAILS

Mayfield 1010mm x 470mm

Width:
1010mm

Bracket
position:
30mm

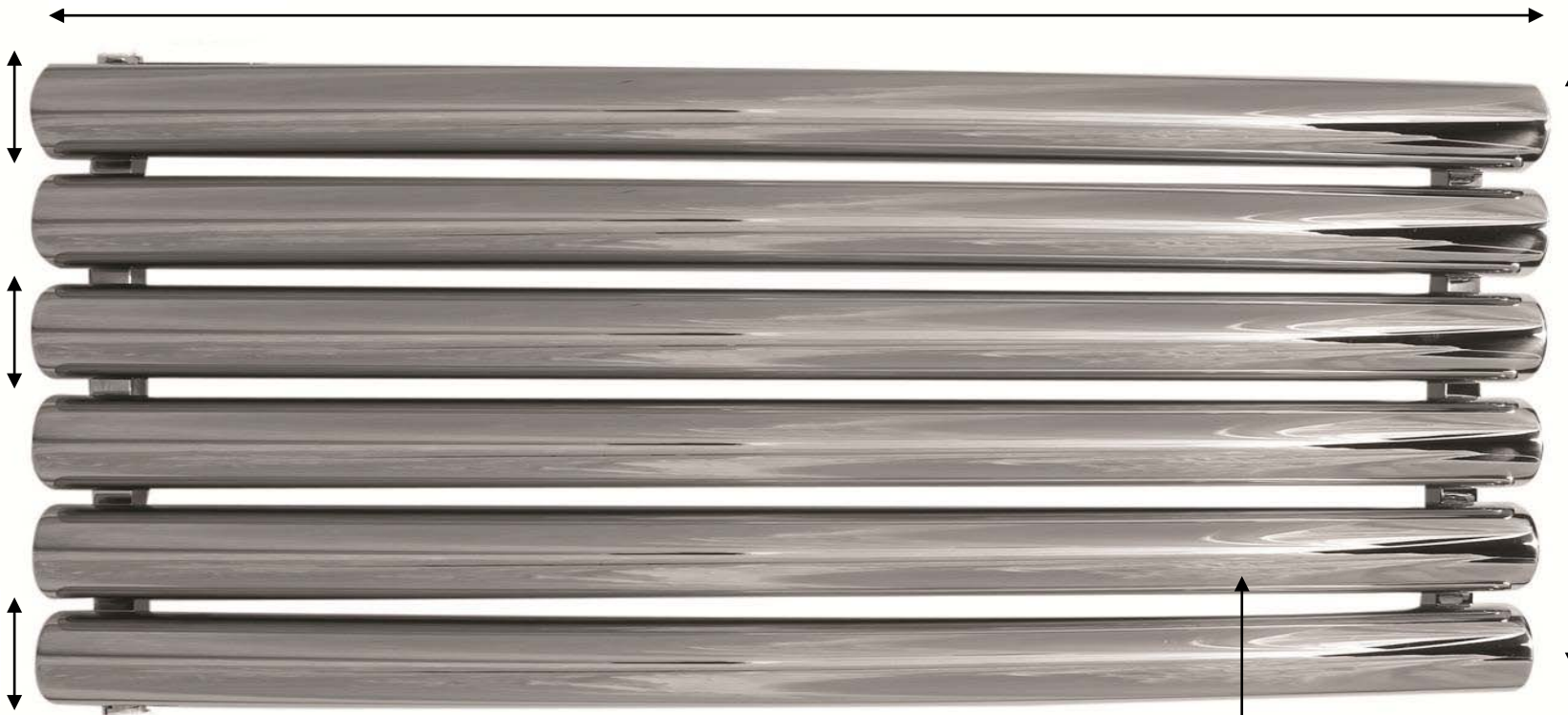
Pipe
diameter
69mm \varnothing

Bracket
position:
25mm

Height:
470mm

Gap
10mm

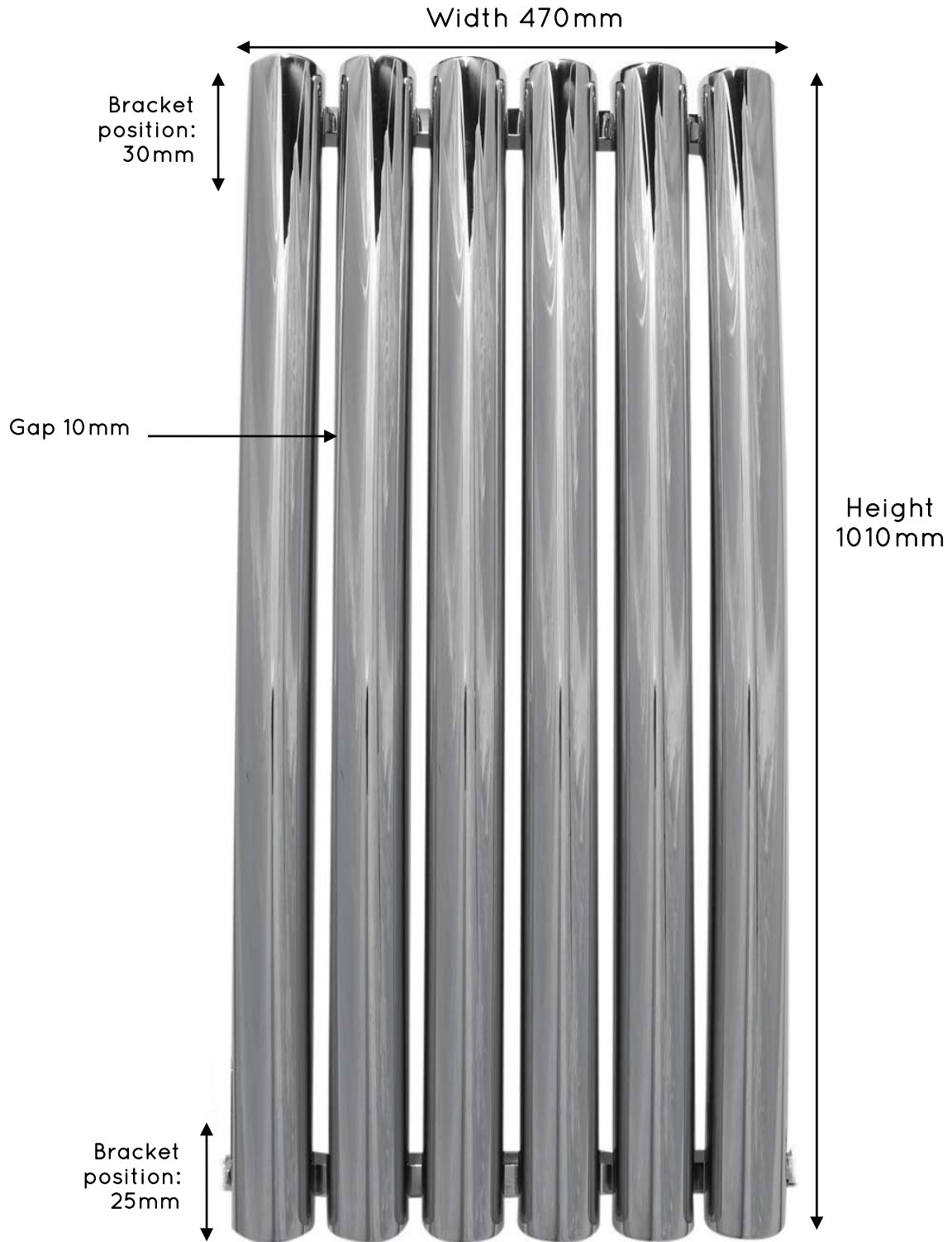
Pipe Centres (Horizontal): 950mm
Overall Projection: 140mm - 160mm
Pipe Centres from the Wall: 55mm - 75mm



JIS EUROPE
100% STAINLESS STEEL
— EST 1997 —

HEATED TOWEL RAILS

Mayfield 1010mm x 470mm



Pipe Centres (Horizontal): 950mm

Overall Projection: 140mm - 160mm

Pipe Centres from the Wall: 55mm - 75mm

When mounted vertically it has side tappings so the pipe centres are dependent on the type of valves