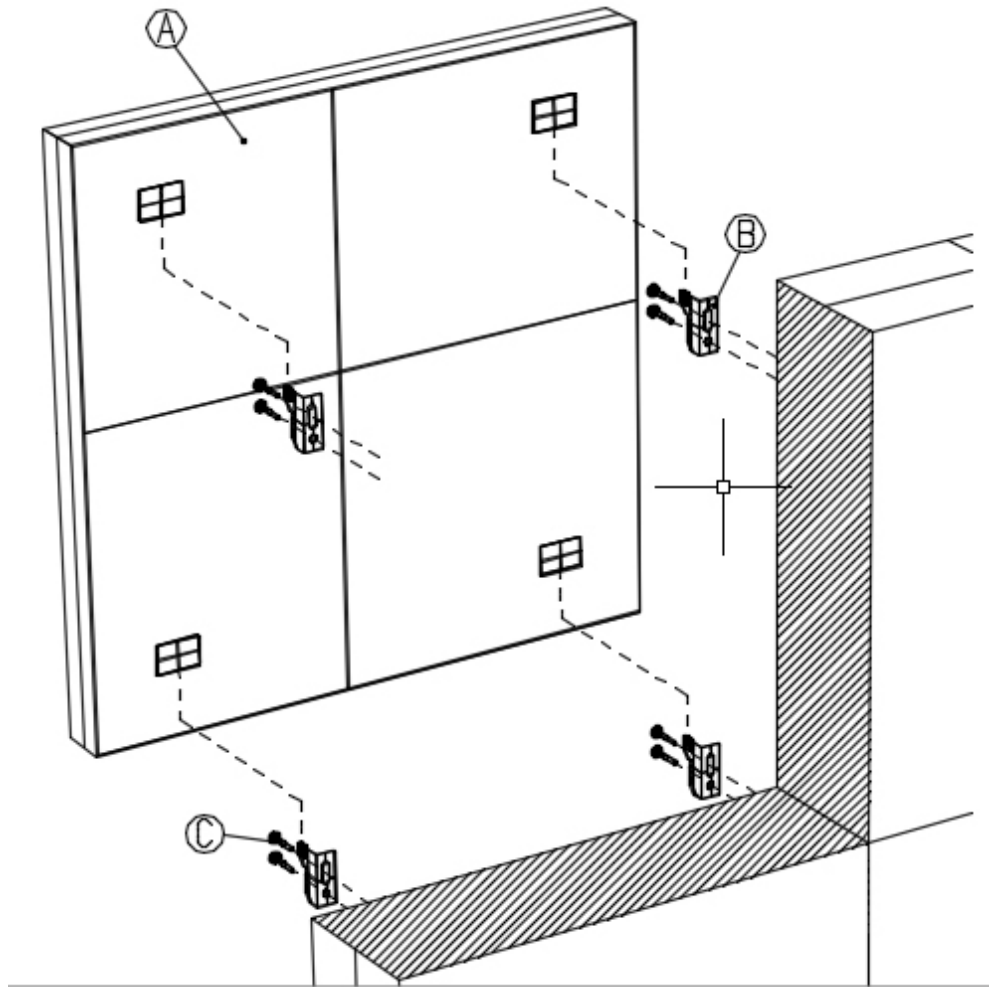


Outline dry electric installation & maintenance instructions



Key

Component	Qty
A Radiator	1
B Wall mounting brackets	2 (these are attached to radiator manifold with ties for transit)
C Screws*	8 required in total
D Radiator bottom holding bracket	1 (attached to radiator)
E M6 x 12mm capscrew	1
F Wall holding bracket	1 off

* Screws and wall plugs are not supplied with radiator. Screws must be selected according to wall material and construction, i.e. brickwork, plasterboard, wood panelling etc. The maximum design loading per fixing is 8kg.

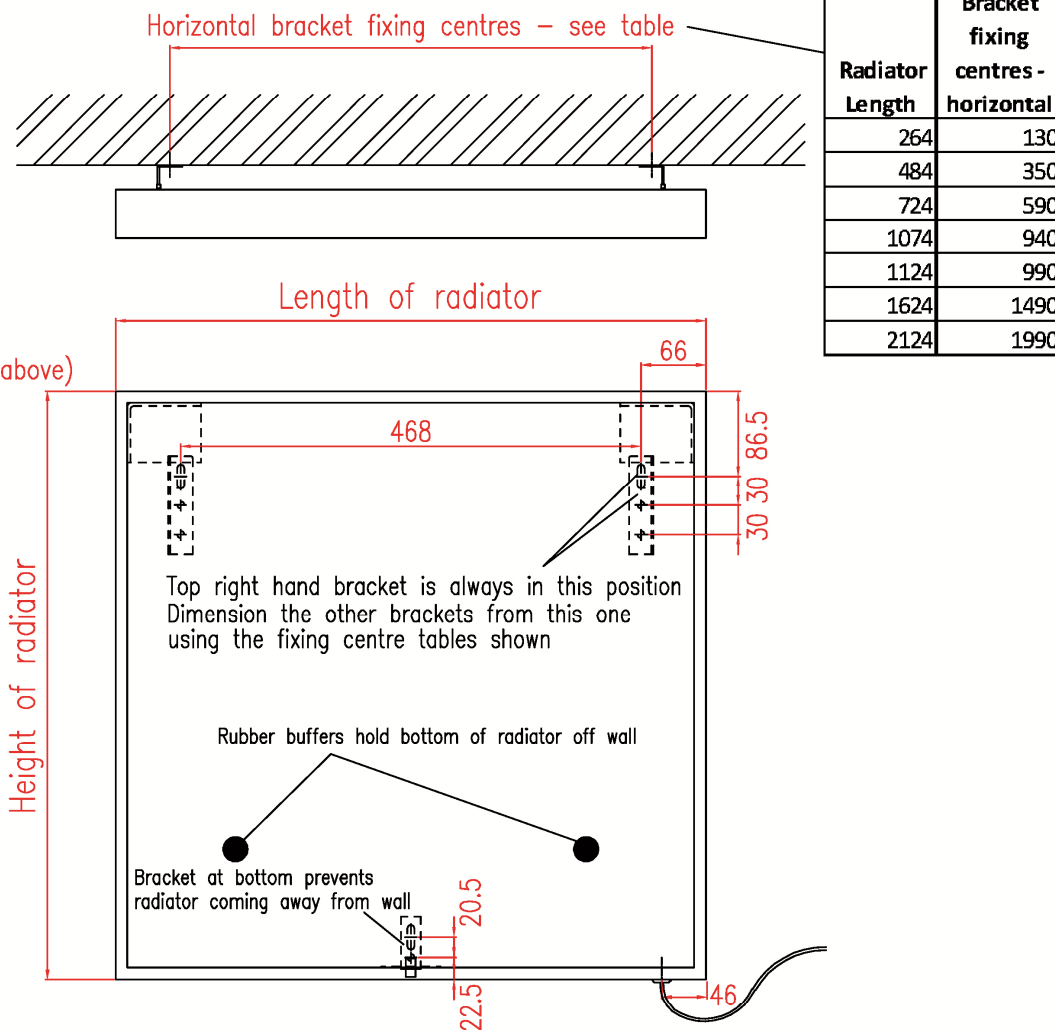
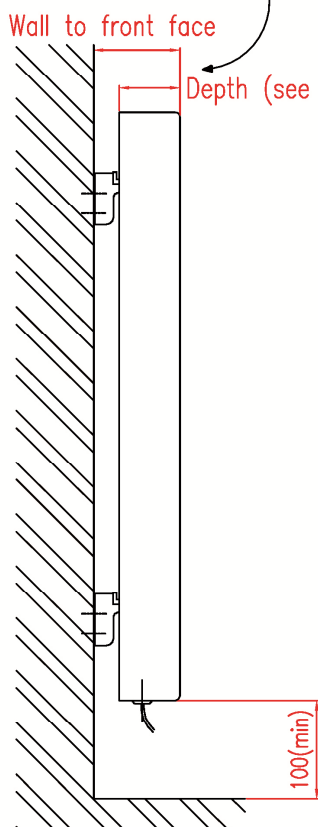
Tools required

Tape measure
 Spirit Level
 Electric Drill
 Masonry drill bit to suit wall plug or screw size (Eskimo brackets will take screws up to 7mm in diameter)
 Screws & Wall plugs as required
 Screwdriver

Installation Instructions

Radiator depth details	
Radiator Depth	Wall to radiator front face
61	86
106	131

Ensure you leave at least 100mm above radiator free of obstructions to airflow



Radiator Length	Bracket fixing centres - horizontal
264	130
484	350
724	590
1074	940
1124	990
1624	1490
2124	1990

Power flex exits through a gland on the bottom right hand face of the radiator but the flex can be pulled back through the gland to exit directly behind the radiator. Fused spur can be located therefore directly behind the bottom right hand corner of the radiator

- Before starting work, ensure working area is free of obstructions and objects that could cause harm to you or the radiator. Unpack radiator carefully but **peel off protective plastic film if inspection is required then reapply until installation is complete**. If laying the radiator onto the floor place it with the back (aluminium heat exchanger) face to the floor, unless you can ensure that there is nothing underneath that could cause damage to the flat panel face – grit or foreign objects can scratch the flat panel through the protective film.
- Bracket fixing positions are shown on the drawing above. Accurately mark out hole positions on wall using a spirit level and tape measure.
- Drill holes *for slotted bracket hole only* in wall as required by screws and wall plugs used.
- Attach wall mounting brackets (B) to wall initially with one screw only through slotted hole ensuring the hook is at the top.
- Check brackets for alignment using spirit level, and adjust as necessary, then drill and screw second bracket hole. **It is essential that all brackets align correctly with their corresponding mounting positions on the radiator.**
- Hang the radiator onto the brackets (B) ensuring both brackets are fully engaged. **Radiators are a heavy item, and many of the radiators in our range require more than 1 person to lift them safely. Never attempt to mount a radiator that you cannot comfortably lift.**
- Wire radiator into a fused spur providing a means of isolation in accordance with current ISO standards.
- Remove protective plastic film before subjecting radiator to heat.**
- If installation problems arise, please refer to the Eskimo website for more detailed information. If problems persist, please contact the Eskimo technical department – the number is shown at the top of this page.
- Brushed stainless steel can be cleaned with baby oil, mirror stainless steel with a mirror cleaner. **Abrasive cleaners should never be used on Eskimo products.**



DECLARATION OF PERFORMANCE
No. 005CPR 2014-06-23

Outline dry electric range heat emitter with optional towel rail(s) for drying and warming of towels.
Type Nos: DE1010A to DE99999999S

For the space heating of domestic and commercial premises.

Designed & manufactured by:
Eskimo Products Ltd
Valepits Rd
Garretts Green Industrial Estate
Birmingham
B33 0TD

Manufacturing facility certified to BS EN ISO 9001:2008

Essential characteristics	Performance	Harmonised technical specification
4.1 Reaction to fire class	Class A1	NA
4.2 Release of dangerous substances (pre-treatment and paint)	The materials in this product do not contain or release any dangerous substances in excess of the maximum levels specified in existing European material standards or any national regulations	
4.3 Pressure tightness – test pressure	NA	
Maximum operating pressure	NA	
4.4 Rated thermal output and thermal output in different operating conditions	Dependent upon specific part number supplied, the thermal output is certified as being in accordance with the official Eskimo Products Ltd. published data	
4.5 Durability (resistance to corrosion of the pre-treatment and paint)	Pass	
Durability (corrosion resistance of wetted parts)	NA	
Durability – fatigue resistance – pressure cycling according to Eskimo Products Ltd standard 3.1	NA	
Durability – fatigue resistance – thermal cycling according to Eskimo Products Ltd standard 3.2	Type > 5475 cycles from 10°C to 90°C Pass	
Maximum operating temperature	95°C	

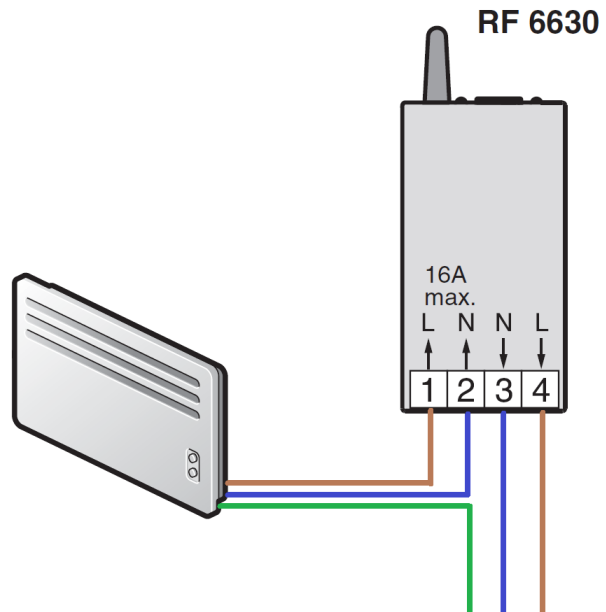
The performance of the product identified above is in conformity with the declared performance.

The declaration of performance is issued under the sole responsibility of the manufacturer identified above.
Signed for and on behalf of Eskimo Products Ltd:



Managing Director
Birmingham, UK, July 1st, 2014

Instructions for RF 6630 16 Amp Receiver

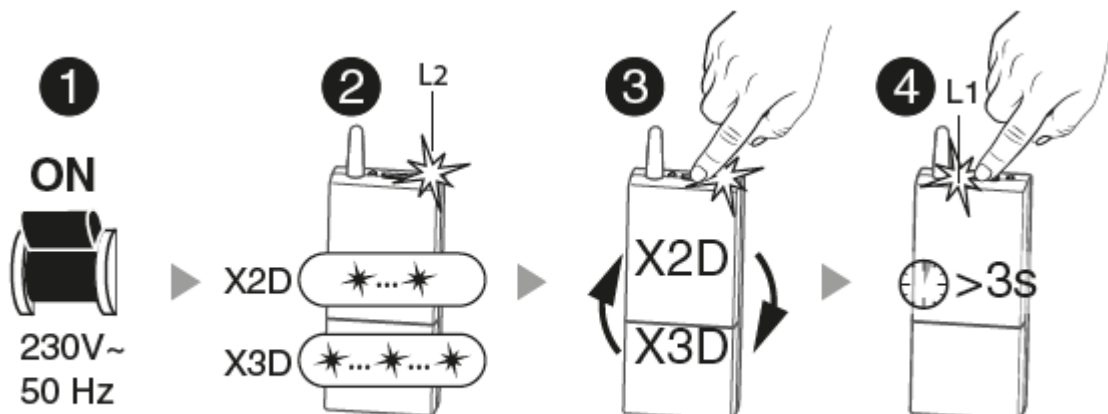


X3D – X2D Mode

The receiver comes in the X3D mode which will work with the TYBOX 5101 and the TYDOM 1.0 straight away.

Follow the below steps to change the mode to X2D to pair it to the TYBOX 157

1. Turn the power on and count the number of flashes on the L2 LED light (furthest from the aerial) (3 flashes = X3D, 2 flashes = X2D)
2. Press the top button once and the mode will change, the flashes will indicate the change
3. Once the LED light is flashing twice (2 times), press and hold the button for 3 seconds to confirm the mode.
4. Now the L1 LED (closest to the aerial) will be flashing, indicating it is ready to pair.
5. The receiver is now ready to be paired to the TYBOX 157



Association with TYBOX 157

The receiver light will be flashing, ready to be paired to the TYBOX 157. (If it is not flashing, press and hold the button for 3 seconds until L1 starts to flash.

On the TYBOX 157 turn the dial to the power symbol, press the “i” button for 5 seconds until you enter the advanced menu. Then press the “R” button once to enter the association mode. Ensure the r-01 Menu is set to “0”

Press the “OK” button once to bring up the rAd1 menu, then the “i” button to begin the association. The LED Light on the receiver will stop flashing and products will be associated.

Turn the dial clockwise to exit the advanced menu.

