

DECORAL

INSTALLATION GUIDE

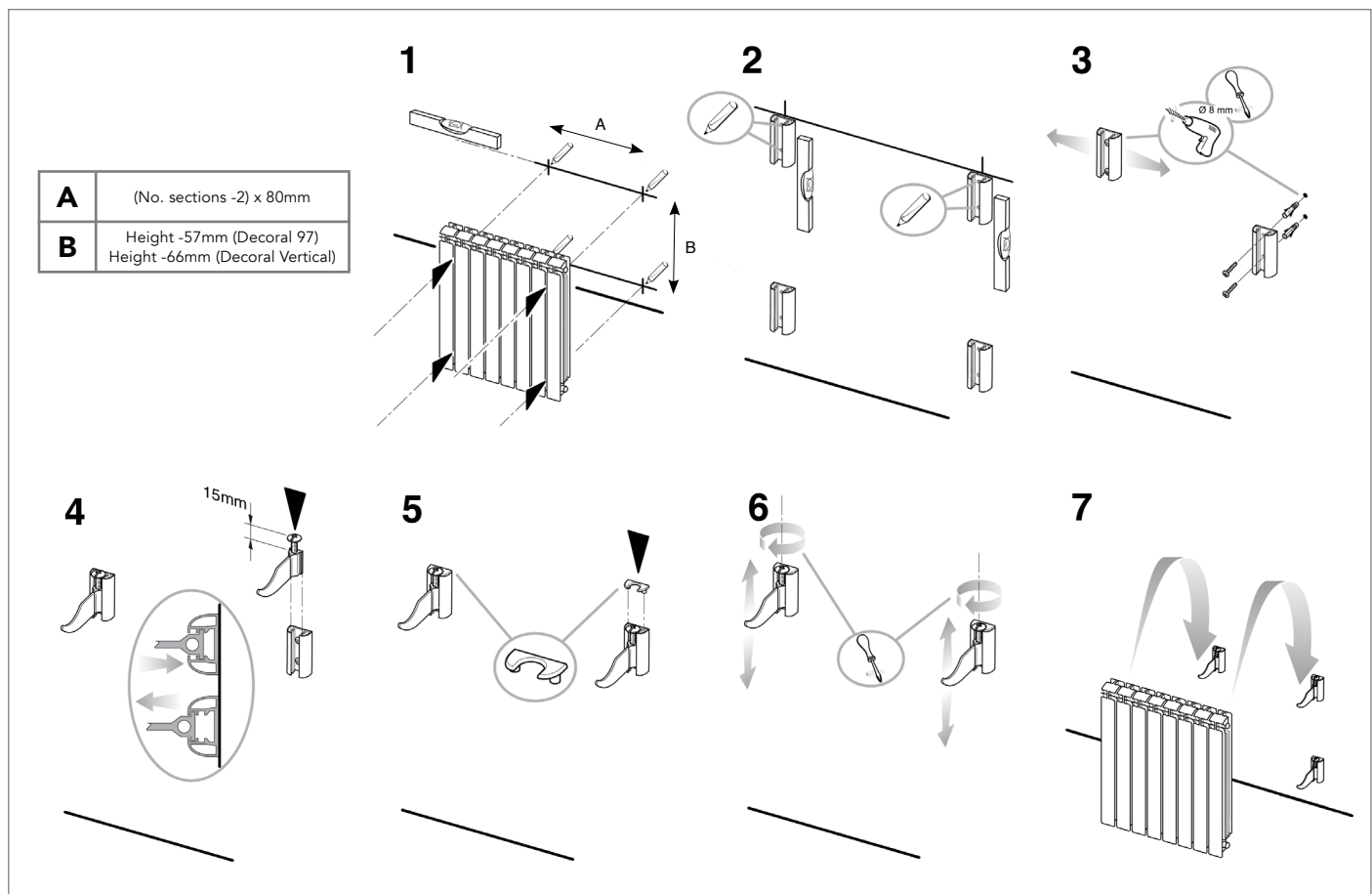


Attention The connection of this radiator to a central heating system should be carried out by a suitably competent person who is familiar with current regulations.

Material	AL
Guarantee (years)	10

Read this guide before starting installation

Hanging the radiator



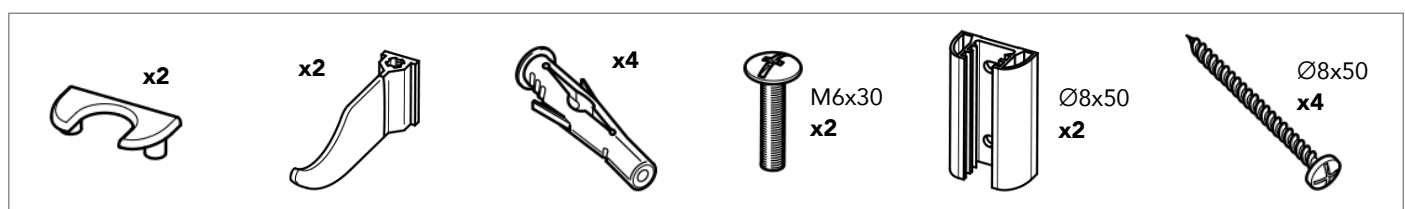
Bracket packs supplied:

3-16 sections	2
17+ sections	3

Notes

- The bottom of the radiator must be at least 100mm from the floor.
- The top brackets are sufficient to support the weight of the radiator. If desired, the bottom brackets can be inverted to 'lock' the radiator into position, especially if the pipework is plastic or not securely fixed. Coloured radiators are supplied with non-adjustable brackets, whereby the bottom brackets cannot be inverted.
- Additional brackets are supplied for longer radiators, to be positioned in the middle if required.

Each bracket pack contains:



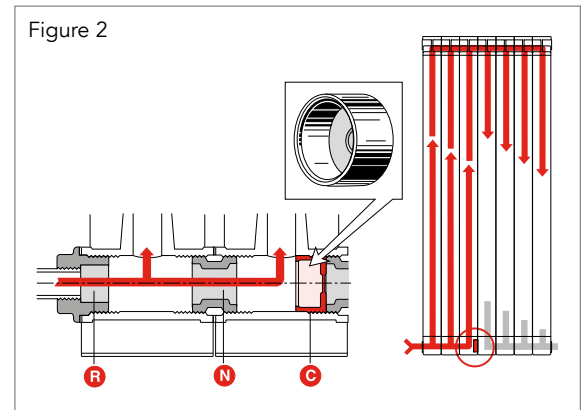
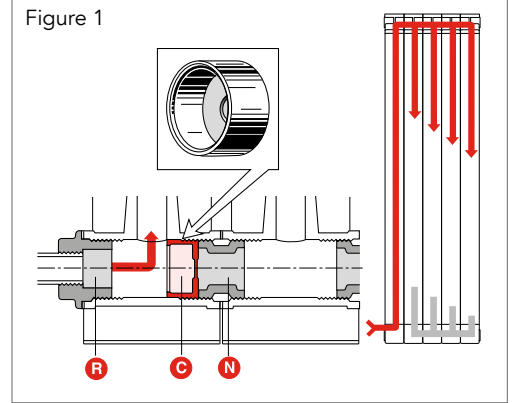
Installation of flow diverter for Decoral Vertical

Decoral Vertical radiators can be connected to the heating system in the following ways:

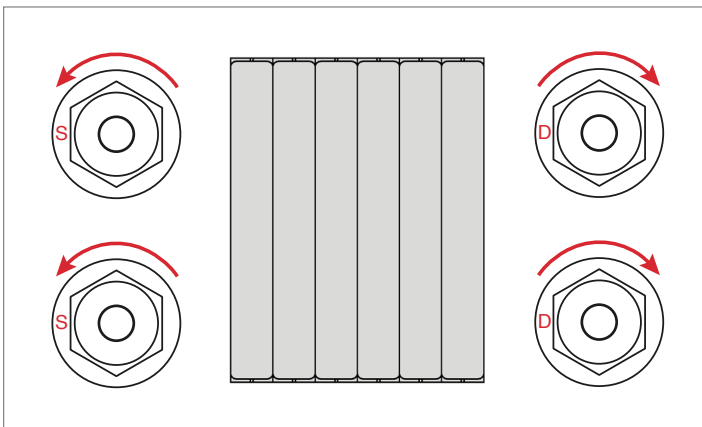
- with water inlet at the top and outlet at the bottom
- with inlet and outlet at the bottom

When connecting radiators to a system with water inlet and outlet at the bottom, please note the following points:

- When the radiator has a bottom water inlet and outlet and up to 6 elements (Fig. 1), fit the rubber cap C (accessory 30/1, supplied standard) on the first nipple N and after the adapter R. You can use the handle of a screwdriver to help you.
- When the radiator has a bottom water inlet and outlet and more than 6 elements (Fig. 2), fit the rubber cap C (accessory 30/1, supplied standard) on the nipple N and after the second or third element. You can use the handle of a screwdriver to help you.



Installation of the reducing bushes



In some cases the reducing bushes need to be fitted by the installer. Facing the front of the radiator, the reducing bushes with an 'S' are to be fitted on the left by turning anti-clockwise. The reducing bushes with a 'D' are to be fitted on the right by turning clockwise.

The reducing bushes should be fitted using the gaskets provided. **Do not use any joining compound or PTFE tape.**

An air vent and blanking plug are supplied, to be fitted depending on the flow and return configuration.

Water Treatment

These products are for use on closed heating systems only; they are **NOT** suitable for installation on secondary HWS circuits.

On completion of the installation the entire system **MUST** be thoroughly cleaned and flushed to remove debris/flux residues etc. If a chemical cleanser is used, it must be thoroughly flushed from the system.

Following this, the system **MUST** be dosed with a good quality water treatment to prevent corrosion.

System design, flushing and dosing must be in accordance with BS 5449: 1990, BS EN 12828: 2003 and BS 7593: 1992

IMPORTANT: Failure to observe these requirements will render the guarantee on the product void.

Corrosion inhibitor must be used in accordance with the manufacturer's instructions and recommendations and should take into account the particular metals within the system.



MHS Radiators Limited, Unit 4 Genesis, Endeavour Drive, Basildon, SS14 3WF

Tel: 0345 521 5666 Fax: 01268 888260

orders@mhsradiators.co.uk enquiries@mhsradiators.co.uk mhsradiators.co.uk

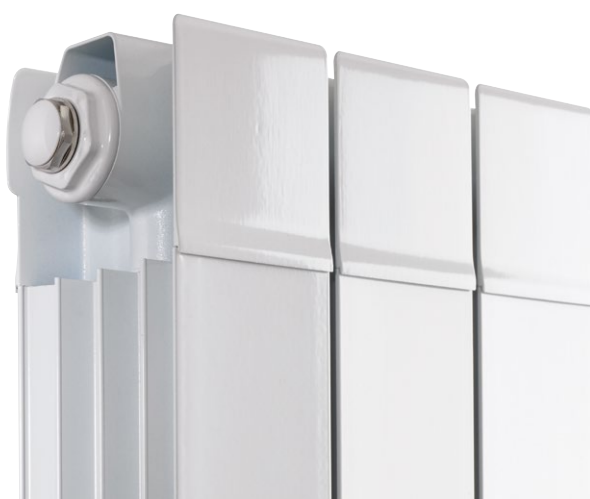
SALES OFFICE - 0345 521 5666
AFTERSALES - 01268 546775

Decoral Vertical Overview

The aluminium Decoral Vertical radiator is finished in RAL 9010 Warm White. The Decoral Vertical radiators have a 10 bar maximum working pressure (13 bar test) and are supplied with wall brackets, plug, air vent and 1/2" bsp-f connections. The Decoral Vertical carries a 10-year guarantee against manufacturing defects.

Features

- Material - 100% recycled/recyclable aluminium
- Finish - RAL 9010 Warm White
Other colours available on request.
- Heights - 966-2066mm
- Widths - 260-660mm
- Outputs - 546-2592 watts
- Pressure - 10 bar (13 bar test)
- Warranty - 10 years

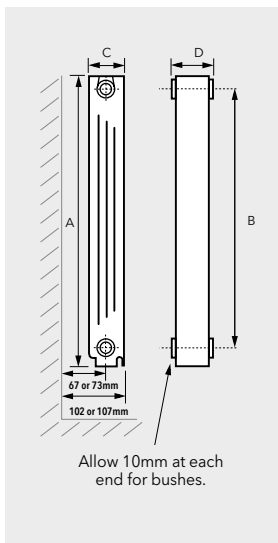


Decoral Vertical Technical



Size/model availability

Width (mm)	260	340	420	500	580	660
Sections	3	4	5	6	7	8
Height (mm)	Output Watts Δt 50°C					
966	546	728	910	1092	1274	1456
1066	585	780	975	1170	1365	1560
1266	669	892	1115	1338	1561	1784
1466	750	1000	1250	1500	1750	2000
1666	825	1100	1375	1650	1925	2200
1866	900	1200	1500	1800	2100	2400
2066	972	1296	1620	1944	2268	2592



	Height (mm)						
	966	1066	1266	1466	1666	1866	2066
Height A	966	1066	1266	1466	1666	1866	2066
Centres B	900	1000	1200	1400	1600	1800	2000
Depth C	90	90	90	90	90	90	90
Width D	80	80	80	80	80	80	80
Max Factory Length	8	8	8	8	8	8	8
Max Working Pressure	10	10	10	10	10	10	10
Max Test Pressure	13	13	13	13	13	13	13