

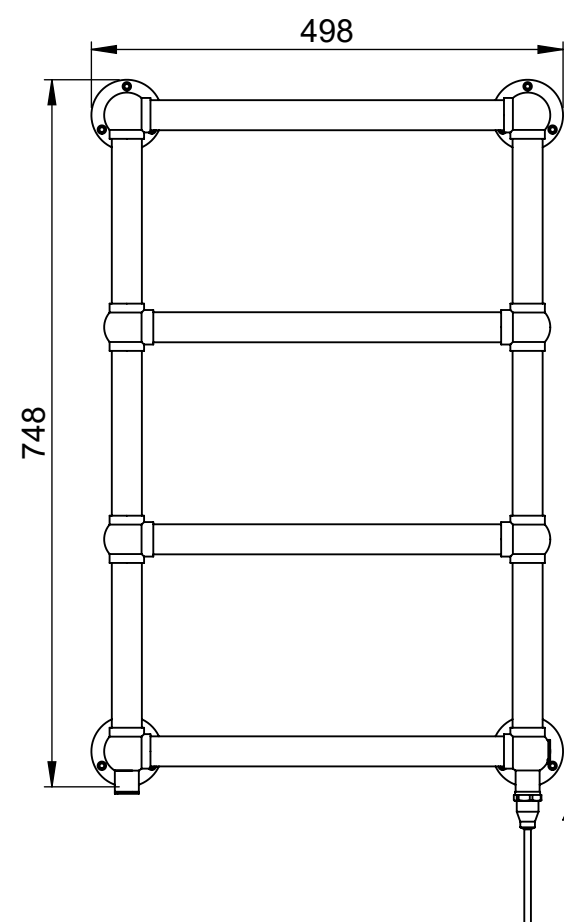
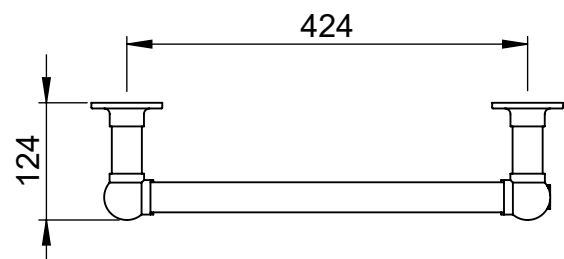
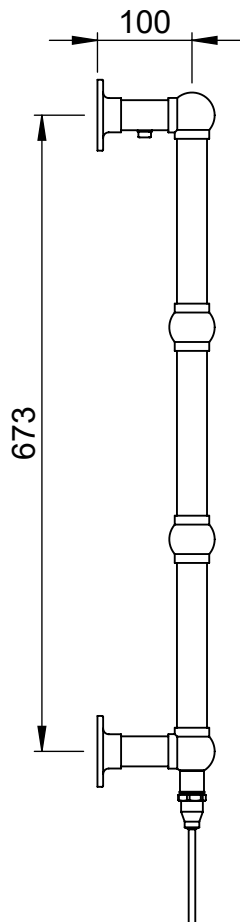
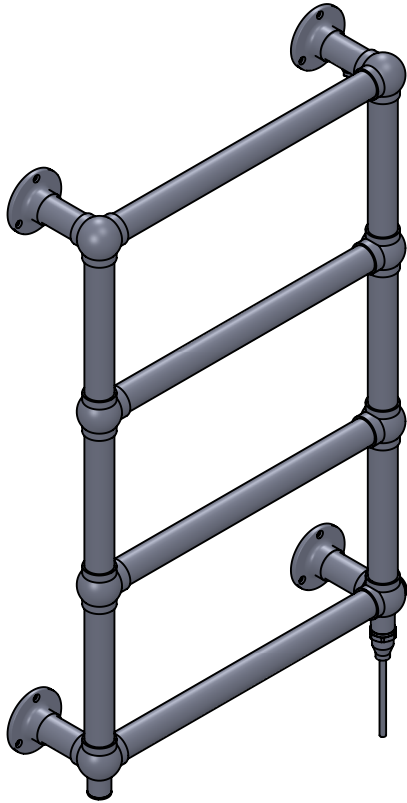
Ballerina LG010A-MS 748x498

Height: 748
Width: 498
Depth: 124
Weight HO: 5.5 kg
EO: 9.5 kg

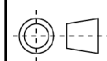
Tube ϕ : 31.8
Pipe Centres: 424
Elec. element if specified: 100
Output @ 50°C Δ T Watts: 169
BTUs: 577

All dimensions in millimetres

Manufactured from Mild steel



Vogue UK Ltd. reserve the right to alter specifications without prior notice.
ALL MEASUREMENTS ARE NOMINAL DIMENSIONS ONLY, AND ARE NOT BINDING.



SCALE 1:8



VOGUE UK
TOWEL WARMERS & RADIATORS

Strawberry Lane, Willenhall
West Midlands WV13 3RS
Tel: 01902 387000 Fax: 01902 387001
e-mail: sales@vogueuk.co.uk www.vogueuk.co.uk

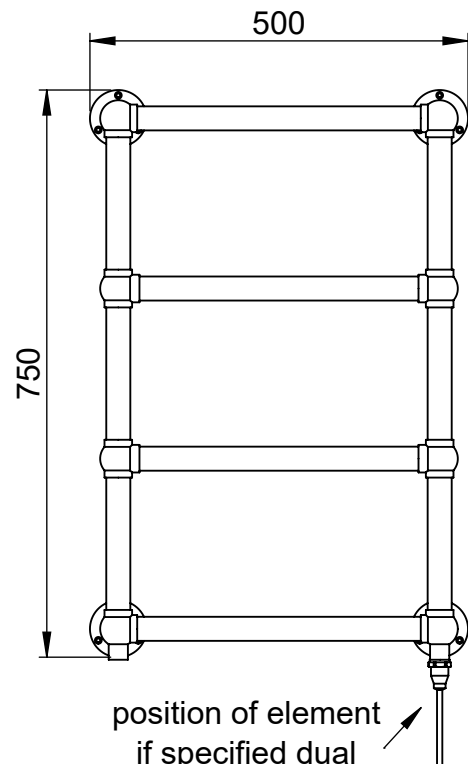
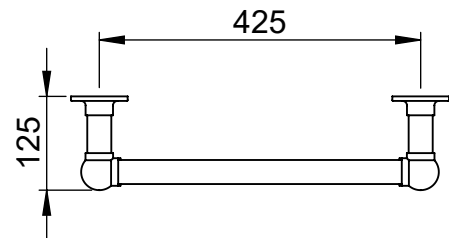
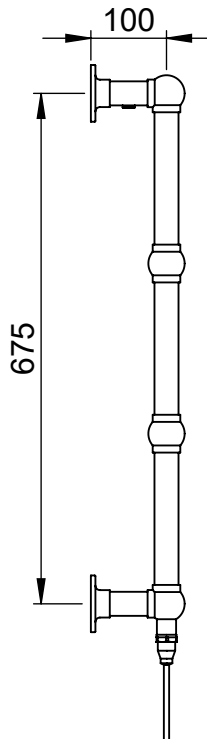
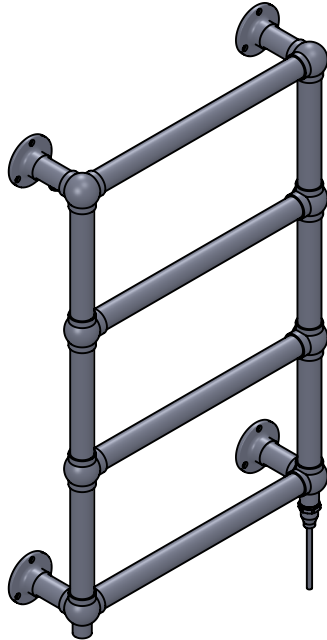
Ballerina LG010A-BR 750x500

Height: 750
Width: 500
Depth: 125
Weight HO: kg
EO: kg

Tube ϕ : 31.8
Pipe Centres: 425
Elec. element if specified: 100
Output @ 50°C Δ T Watts: 169
BTUs: 577

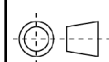
All dimensions in millimetres

Manufactured from ISO/CEN CuZn36As (BS CZ126) brass tube



*Dual energy models require a conversion-tee, consult relevant drawing for details.

Vogue UK Ltd. reserve the right to alter specifications without prior notice.
ALL MEASUREMENTS ARE NOMINAL DIMENSIONS ONLY, AND ARE NOT BINDING.



SCALE 1:8



VOGUE UK
TOWEL WARMERS & RADIATORS

Strawberry Lane, Willenhall
West Midlands WV13 3RS
Tel: 01902 387000 Fax: 01902 387001
e-mail:sales@vogueuk.co.uk www.vogueuk.co.uk