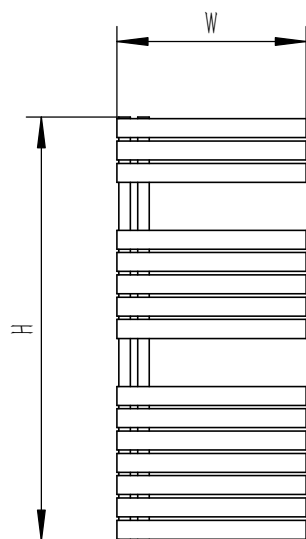
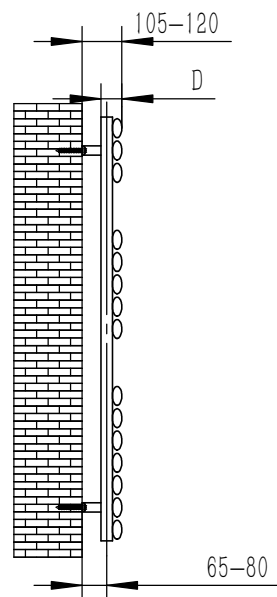


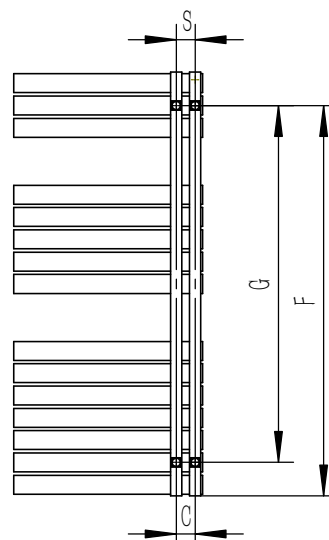
SCALO



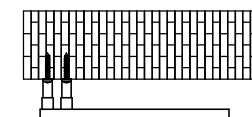
FRONT VIEW



SIDE VIEW



BACK VIEW



TOP VIEW

SUPPLIED INSTALLATION ACCESSORIES



BLANKING PLUG 1PCS



INSERT 4PCS



SCREW 4PCS



AIR VENT 1PCS



BRACKET 4PCS



WALL PLUG 4PCS



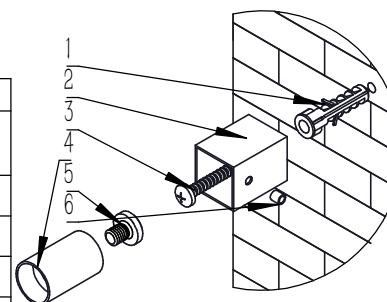
GRAB SCREW 4PCS



SCREW 4PCS



ALIEN KEYS 1PCS



- Vertical Mounting
- Optional 304 QUALITY STAINLESS STEEL RADIATOR (RNS-SC512P:SCALO RADIATOR)
- POLISHED
- MAX Operational Pressure:10Bar
- Inlet/Outlet:1/2"Female Pipe Thread
- All Dimensions are in mm

Product Name	Product Cude	Height	Width	Thick Ness	Plumbing Axes Center to Center	Hanger Axes Horizontal	Hanger To Bottom of the Product	Hanger Axes Vertical	Water Volume	Empty Weight	Thermal Output
		H mm	W mm	D mm	C mm	S mm	F mm	G mm	- L	- kg	Wat-Btu/hr($\Delta 50^\circ$)
RNS-SC508P	SCALO S-500/10(2+3+5) P	826	500	55	50	50	737.5	649	5.6	9.18	376-1282
RNS-SC512P	SCALO S-500/15 (3+5+7) P	1121	500	55	50	50	1032.5	944	7.75	12.74	551-1880
RNS-SC515P	SCALO S-500/20(3+4+5+8) P	1534	500	55	50	50	1445.5	1357	9.7	17.9	739-2521

www.reinadesign.co.uk

info@atayglobal.com

TEL:+44 1787 238540

REINA