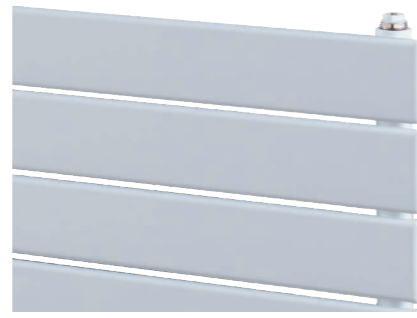


# BEAUFORT Horizontal

- Italian design & manufacture
- 70mm Flat Tubes available in 3 heights & 2 widths in single & double
- Standard White RAL 9016 delivered in 48-72 hours
- 25 RAL colours, 8 special finishes, up to 15 working days (page 11)



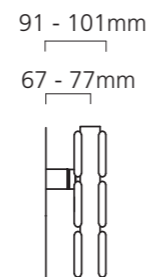
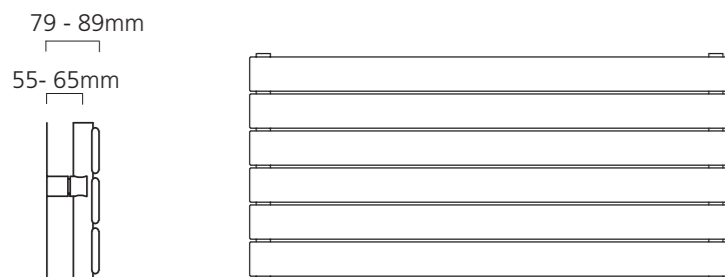
## Sizes and Prices

Dimensions (mm)		Elements	Output Δt 50°C		Product Code
Height	Width		Watts	Btu's	
<b>Horizontal - Single</b>					
312	1020	4	340	1160	BEAUF311004SH
	1220	4	392	1338	BEAUF311204SH
464	1020	6	501	1709	BEAUF461006SH
	1220	6	600	2047	BEAUF461206SH
616	1020	8	659	2249	BEAUF611008SH
	1220	8	789	2692	BEAUF611208SH
<b>Horizontal - Double</b>					
312	1020	8	567	1935	BEAUF311008DH
	1220	8	671	2289	BEAUF311208DH
464	1020	12	793	2706	BEAUF461012DH ♦
	1220	12	948	3235	BEAUF461212DH
616	1020	16	1005	3429	BEAUF611016DH
	1220	16	1202	4101	BEAUF611216DH

## Pipe Centres and Technical Drawings

**Single Horizontal**  
 Pipe centres left to right = Width less 58mm  
 Pipe centres from wall = 55mm - 65mm  
 Depth from wall = 79mm - 89mm

**Double Horizontal**  
 Pipe centres left to right = Width less 58mm  
 Pipe centres from wall = 67mm - 77mm  
 Depth from wall = 91mm - 101mm



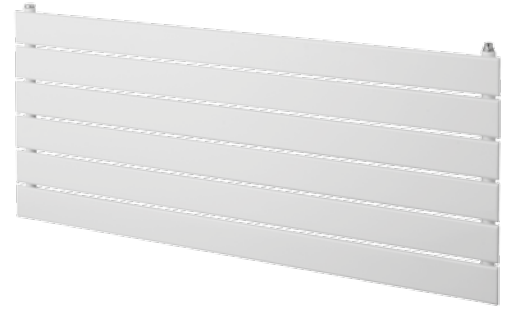
+Valves Prices include  
 Straight Chrome or White  
 KINGSTON TRV's

Please specify at time of order

♦ BEAUFORT Double Horizontal 464mm x 1020mm shown in White RAL 9016 with White KINGSTON TRV's

## BEAUFORT Horizontal Fitting Instructions

Steel Radiator in White RAL 9016  
70mm Flat Tube, 30mm Round Collectors

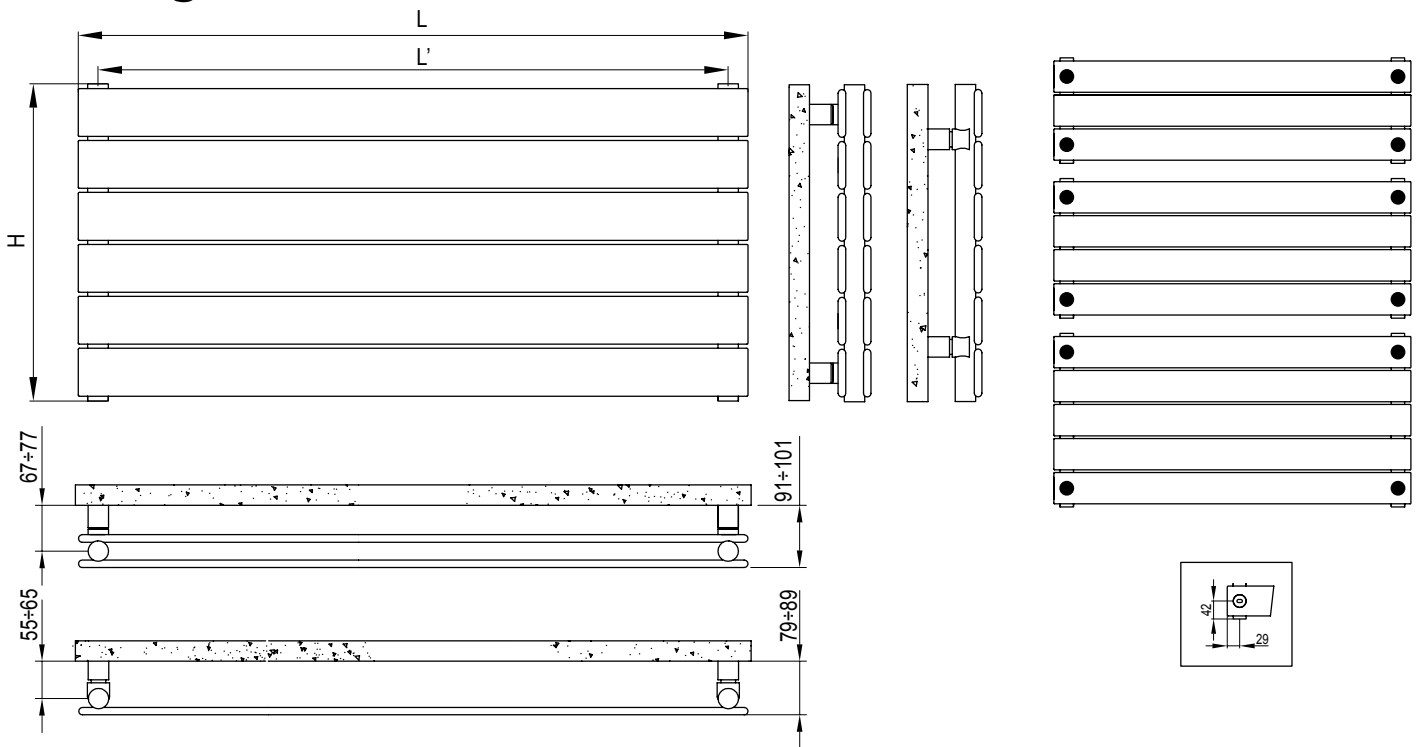


Please read these instructions and terms and conditions carefully prior to installation. Failure to do so may invalidate the warranty.

### Drawings

#### Bracket Positions & Measurements

• = typical bracket fixing positions



### Pipe Centres

	Single	Double
Pipe centres left to right	= width minus 58mm	width minus 58mm
Pipe centres from wall	= 55mm - 65mm	67mm - 77mm
Depth from wall	= 79mm - 89mm	91mm - 101mm

## 1. Unpack & Inspect

This product should have reached you in perfect condition. Please carefully unpack and inspect this radiator and all fittings. Your point of purchase must be notified of any shortages or damage within 28 days of delivery. For further information please see terms and conditions on reverse.

## 2. Contents

### You should have:

- 1 Radiator
- 4 Wall Brackets
- 4 Wall Plugs
- 4 Screws
- 1 Manual Airvent
- 1 Blanking Plug

### You will need:

- Tape measure
- Electric drill and bits
- Spirit level

**PLEASE NOTE:** Systems using micro bore pipework must have adequate pressure and flow rates for the number and style of radiators on the system.

## 3. Mark Bracket Positions

Beaufort horizontal singles use clamp style brackets that can be positioned on the collector to suit the installation, although we recommend that they are fitted in the locations suggested in the technical drawings on the previous page. The brackets on double radiators use welded lugs in fixed positions on the cross tubes.

Attach brackets and bracket sleeves to the radiator as shown in Diagrams 1(single) and 2 (double), place radiator against the wall and mark bracket positions.

## 4. Fix Brackets

Detach the bracket sleeve from the bracket and using a suitable drill bit and fixings secure all four in position, checking they are level and square.

### PLEASE NOTE:

It is essential that all brackets are level and square prior to hanging the radiator to ensure a vertical alignment for connecting the pipework.

Diagram 1 (single version)

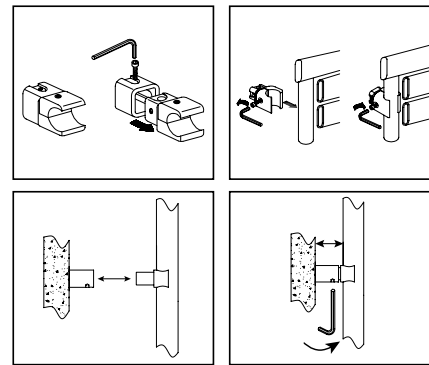
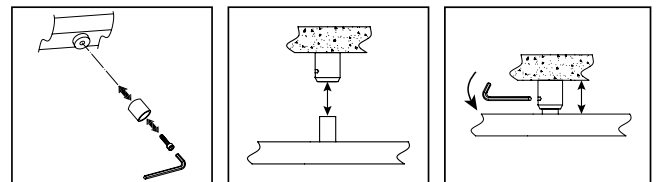


Diagram 2 (double version)



## 5. Hang Radiator

With the bracket sleeves firmly fixed and level, the radiator can be hung in position by inserting the brackets into the sleeves and securing with the grub screws provided.

When commissioning your radiator on an indirect/closed system we recommend using a suitable mixed metal inhibitor to protect against scale & corrosion. **Damage caused to systems not protected by a suitable inhibitor will not be covered by manufacturer's guarantee.**

## Technical Specifications

<b>Materials</b>	Steel.
<b>Connections</b>	½" flow and return.
<b>Test pressure</b>	5,2 Bar
<b>Maximum operating pressure</b>	4 Bar
<b>Maximum working temperature</b>	90°C
<b>Packaging</b>	Wrapped in polythene & boxed.

## Guarantees & Liabilities

This product is guaranteed for 10 years. The guarantees in all cases are subject to the products being installed in accordance with British and or European standards as well as these fitting instructions. The guarantees in all cases are restricted to the free of charge replacement or repair of the failed product only. Our liability will under no circumstances extend beyond the repair or replacement of the product supplied by us. Claims for either labour in replacement or damage to property are not admissible. Any goods that are returned, in the event of a problem, will belong to us.

## Terms & Conditions

All products must be inspected once removed from the packaging and your point of purchase notified within 28 days of delivery of any scratches, blemishes or other damage. Your point of purchase will then agree appropriate action.

Imperfect radiators should therefore not be fitted and we will not accept responsibility for replacement of scratched or damaged radiators once they have been fitted. This includes any consequential loss or cost of fitting.

If we are not notified within 28 days of the date on the signed delivery note then it will be deemed that we have fully complied with our obligations and claims will not be considered.

Failure to comply with any of the above may invalidate any claims. We recommend that after you check the product on delivery that it is stored in its packaging to prevent damage prior to installation, we cannot accept responsibility for items damaged after delivery.

For full details of our Terms and Conditions please visit [www.supplies4heat.co.uk](http://www.supplies4heat.co.uk) or call us on 01342 306880.