

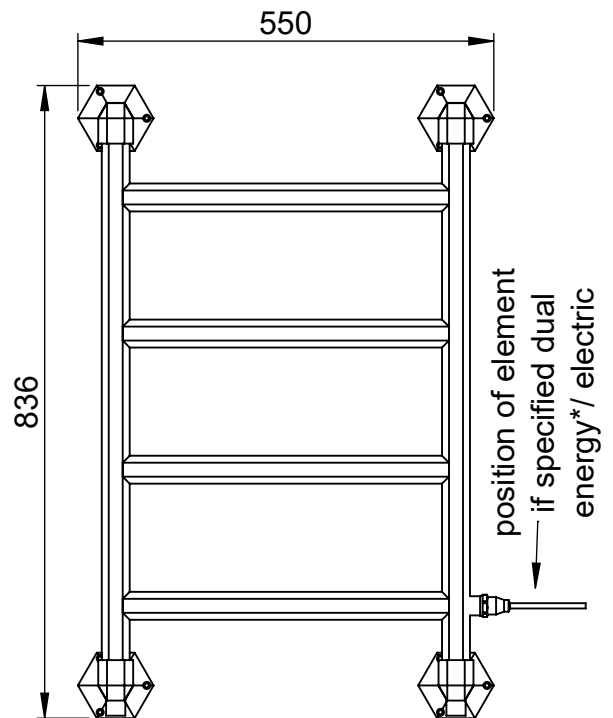
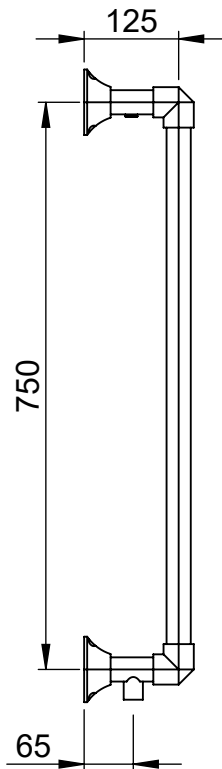
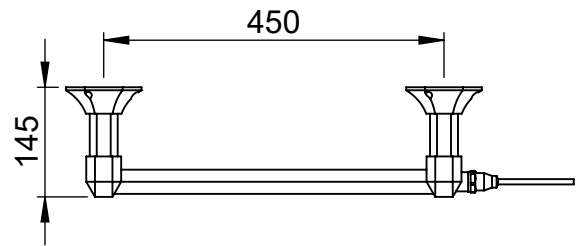
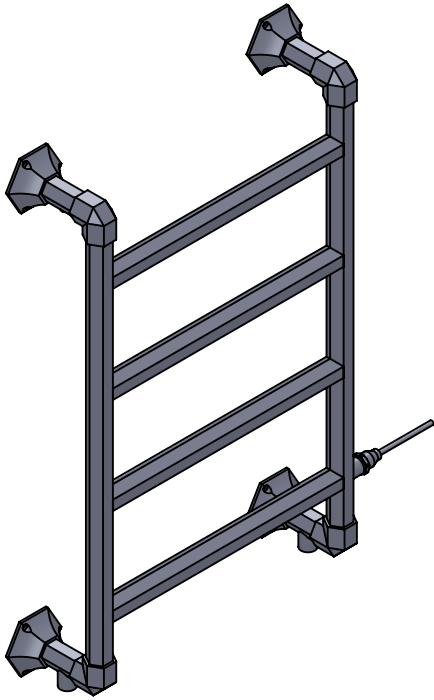
Art Moderne OG010A 836x550

Height: 836
Width: 550
Depth: 145
Weight HO: kg
EO: kg

Tube ϕ : 32 Hex
Pipe Centres: 450
Elec. element if specified: 100
Output @ 50° C Δ T Watts: 211
BTUs: 720

All dimensions in millimetres

Manufactured from ISO/CEN CuZn36As (BS CZ126) brass tube



*Dual energy models require a conversion-tee, consult relevant drawing for details.

Vogue UK Ltd. reserve the right to alter specifications without prior notice.
ALL MEASUREMENTS ARE NOMINAL DIMENSIONS ONLY, AND ARE NOT BINDING.



SCALE 1:10



VOGUE UK
TOWEL WARMERS & RADIATORS

Strawberry Lane, Willenhall
West Midlands WV13 3RS
Tel: 01902 387000 Fax: 01902 387001
e-mail:sales@vogueuk.co.uk www.vogueuk.co.uk

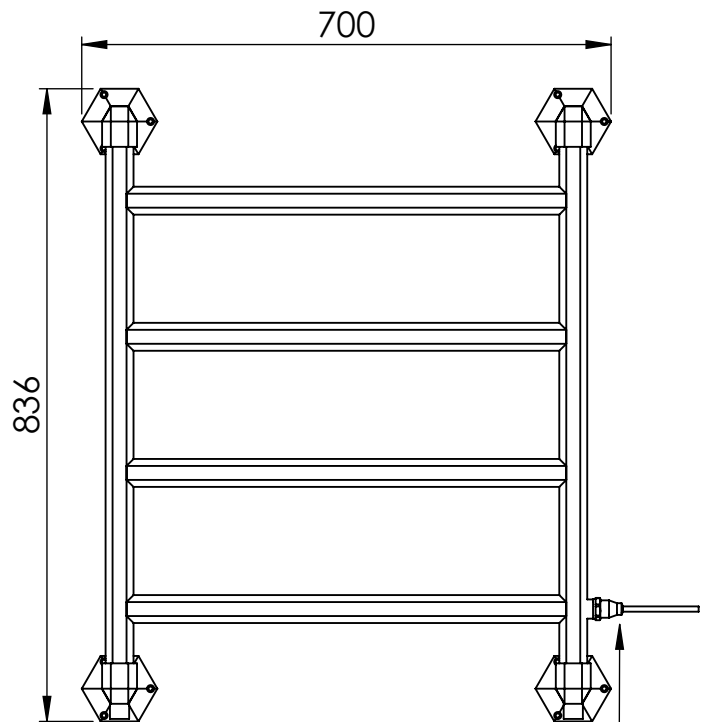
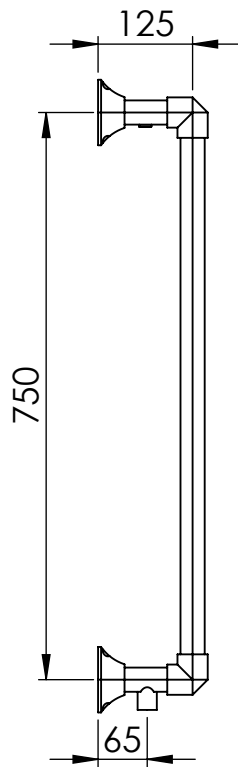
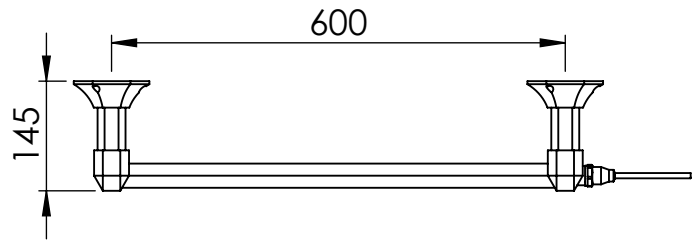
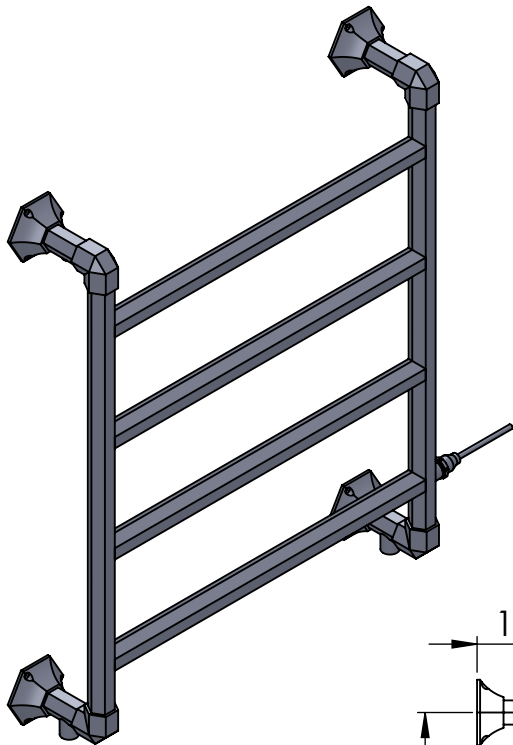
Art Moderne OG010B 836x700

Height: 836
Width: 700
Depth: 145
Weight HO: kg
EO: kg

Tube ϕ : 32 Hex
Pipe Centres / Face-Face Cons: 600
Elec. element if specified: 125 W
Output @ 50° C Δ T Watts: 247 W
BTUs: 843 W

All dimensions in millimetres

Manufactured from ISO/CEN CuZn36As (BS CZ126) brass tube



position of element
if specified dual
energy*/ electric

*Dual energy models require a conversion-tee, consult relevant drawing for details.

Vogue UK Ltd. reserve the right to alter specifications without prior notice.
ALL MEASUREMENTS ARE NOMINAL DIMENSIONS ONLY, AND ARE NOT BINDING.

SCALE 1:10



VOGUE UK
TOWEL WARMERS & RADIATORS

Strawberry Lane, Willenhall
West Midlands WV13 3RS
Tel: 01902 387000 Fax: 01902 387001
e-mail:sales@vogueuk.co.uk www.vogueuk.co.uk

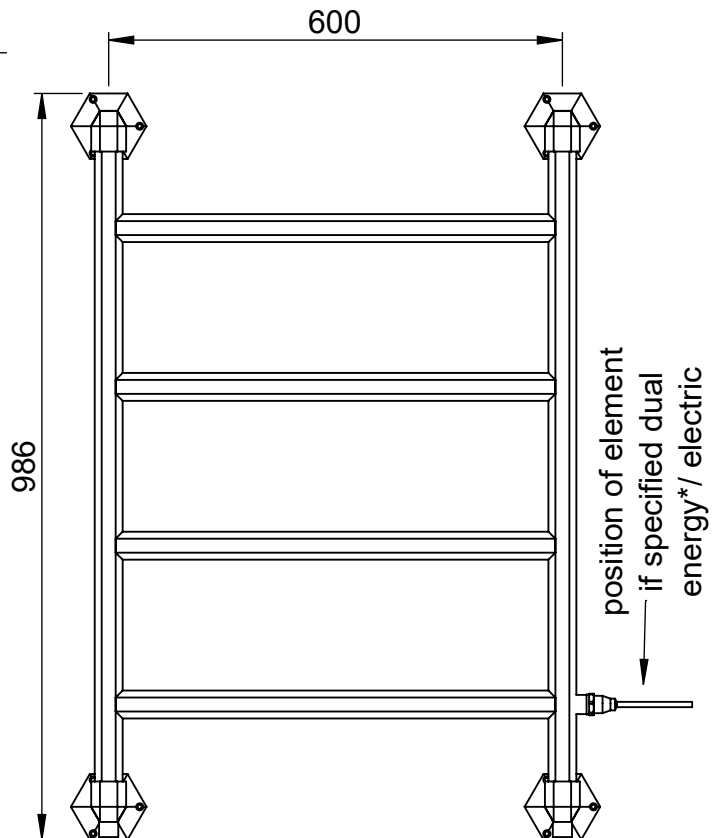
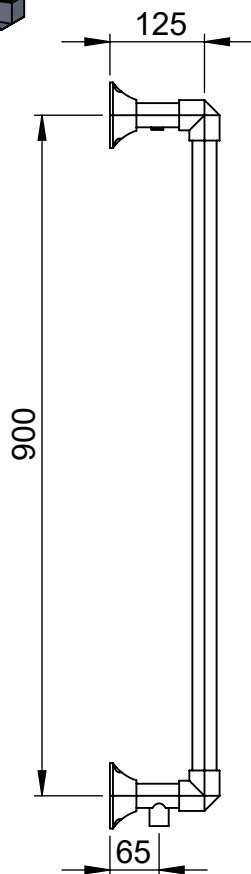
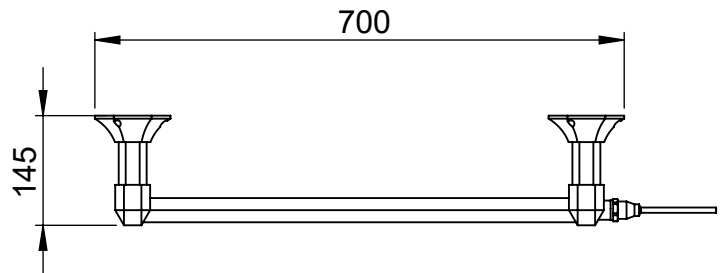
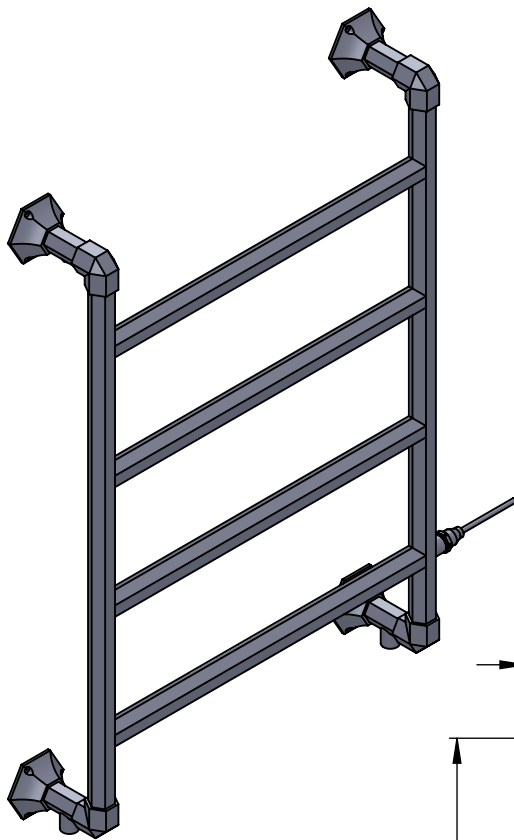
Art Moderne OG010C 986x700

Height: 986
Width: 700
Depth: 145
Weight HO: kg
EO: kg

Tube ϕ : 32 Hex
Pipe Centres: 600
Elec. element if specified: 125
Output @ 50° C Δ T Watts: 263
BTUs: 897

All dimensions in millimetres

Manufactured from ISO/CEN CuZn36As (BS CZ126) brass tube



*Dual energy models require a conversion-tee, consult relevant drawing for details.

Vogue UK Ltd. reserve the right to alter specifications without prior notice.
ALL MEASUREMENTS ARE NOMINAL DIMENSIONS ONLY, AND ARE NOT BINDING.



SCALE 1:10



VOGUE UK
TOWEL WARMERS & RADIATORS

Strawberry Lane, Willenhall
West Midlands WV13 3RS
Tel: 01902 387000 Fax: 01902 387001
e-mail: sales@vogueuk.co.uk www.vogueuk.co.uk