



ROSY VERTICAL



EUROPEAN WARRANTY

MATERIAL:

- Horizontal collectors in painted mild steel ϕ 38 mm.
- Vertical heating elements in painted mild steel 50x10 mm.

FIXING KIT:

Brackets, airvent, hexagonal tool, plugs and screws for mounting suitable for use on compact or hollow brick, user notice.

PACKAGING:

Carton angular and profiles protected by a recyclable film in polyethylene. User notice included.

PAINTING PROCESS:

Painted with ecological epoxy powders (Certificate DIN 55900-1,-2).

COLOURS:

See colour chart.

ACCESSORIES:

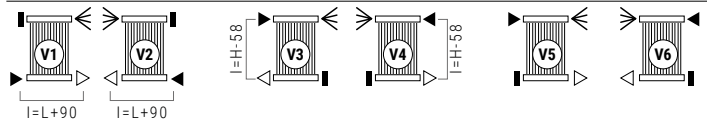
For the complete list, please refer to the accessories chapter.

Height H [mm]	400	500	600	700	800	1000	1200	1400	1500
Therm. output per el. $\Delta t = 50^\circ\text{C}$ [Watt]	28	34,6	41,1	47,5	53,8	66,3	78,6	90,6	96,5
Therm. output per el. $\Delta t = 30^\circ\text{C}$ [Watt]	14,5	17,9	21,2	24,6	27,8	34,3	40,7	47,0	50,0
Dry Weight per section [kg]	0,557	0,666	0,775	0,883	0,992	1,210	1,427	1,645	1,753
Element water content [lt]	0,256	0,292	0,329	0,365	0,401	0,474	0,546	0,619	0,655
Element surface [m ²]	0,061	0,073	0,085	0,097	0,109	0,133	0,157	0,181	0,193
Exp. n	1,2935	1,2928	1,2922	1,2914	1,2907	1,2894	1,2881	1,2867	1,2860
Pipe centres l [mm] (V3-V4 only)	342	442	542	642	742	942	1142	1342	1442

For output at different ΔT , please refer to the following formula: desired output = output at $\Delta T 50 \times (\text{desired } \Delta t/50)^n$

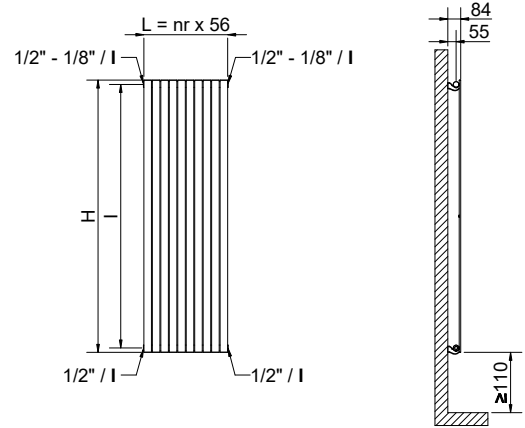
Height H [mm]	1600	1700	1800	1900	2000	2100	2200	2300	2500
Therm. output per el. $\Delta t = 50^\circ\text{C}$ [Watt]	102	108	114	120	126	131	137	142	153
Therm. output per el. $\Delta t = 30^\circ\text{C}$ [Watt]	52,9	56,0	59,2	62,3	65,4	68,1	71,2	73,8	79,6
Dry Weight per section [kg]	1,862	1,971	2,080	2,188	2,297	2,406	2,515	2,623	2,841
Element water content [lt]	0,691	0,727	0,764	0,800	0,836	0,872	0,909	0,945	1,017
Element surface [m ²]	0,205	0,217	0,229	0,241	0,253	0,265	0,277	0,289	0,313
Exp. n	1,2854	1,2847	1,2840	1,2833	1,2826	1,2820	1,2813	1,2806	1,2792
Pipe centres l [mm] (V3-V4 only)	1542	1642	1742	1842	1942	2042	2142	2242	2442

STANDARD CONNECTIONS WITHOUT SURCHARGE

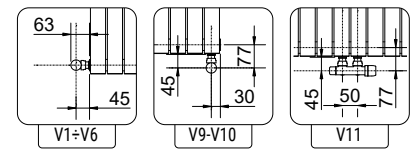


LEGENDA: In Out airvent **H** Height **l** pipe centres **L** width

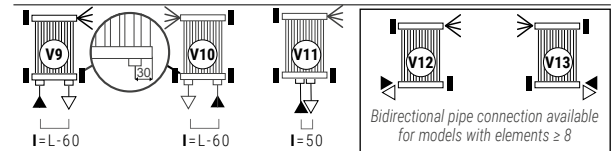
P. Max: 5 bar T. Max: 110° C
Functioning: hot water Connections: n° 2 x 1/2" G - n° 1 da 1/8" G



Quotes for Kristal valves



SPECIAL CONNECTIONS



connection welded cap

Always specify the kind of connection needed when ordering.

HOW TO ORDER THE RADIATOR ROSY VERTICAL

ARTICLE NR. STRUCTURE	Radiator model	Nr of Elements	Height in cm	Code of the connection	Code of the colour	Constant value
AAAA	BB	CCC	DDD	EEE	A	

EXAMPLE	Radiator model	Nr of Elements	Height in cm	Code of the connection	Code of the colour	Constant value
	E.g.: Rosy vertical	E.g.: 12 elements	Example: 1500 mm	Example: connection V1	Example: R01 - White	
	R050	12	150	V01	R01	A

EXAMPLE OF ARTICLE CODE CREATION
 In the case of a radiator:
R050..... ROSY VERTICAL
12..... 12 elements
150..... Height 1500 mm
V01..... connection V1
R01..... colour R01 - White
A..... (Constant value)
 The article code will be:
R050 12 150 V01 R01 A

ACCESSORIES

If ordered separately from the radiator, the accessories are available in standard white only

<p>Kristal valve square with thermostatic option white R01</p> <p>Copper conn. ϕ 12/14/15 Art. nr. 5991990311161</p> <p>Multilayer conn. ϕ 16 Art. nr. 5991990311160</p>	<p>Kit 2 hooks white R01</p> <p>Art. nr. 5991990310389</p>	<p>Thermostatic head white</p> <p>(Kit 2 pieces) Art. nr. 5035270710016</p>
---	---	--

Art. nr. are referred to colour WHITE R01



ROSY VERTICAL

Height H [mm]		400	500	600	700	800	1000	1200	1400	1500
Width L [mm]	N° El.	Watt $\Delta t=50^{\circ}\text{C}$	Watt $\Delta t=50^{\circ}\text{C}$	Watt $\Delta t=50^{\circ}\text{C}$	Watt $\Delta t=50^{\circ}\text{C}$	Watt $\Delta t=50^{\circ}\text{C}$	Watt $\Delta t=50^{\circ}\text{C}$	Watt $\Delta t=50^{\circ}\text{C}$	Watt $\Delta t=50^{\circ}\text{C}$	Watt $\Delta t=50^{\circ}\text{C}$
224	4	112	138	164	190	215	265	314	362	386
280	5	140	173	206	238	269	332	393	453	483
336	6	168	208	247	285	323	398	472	544	579
392	7	196	242	288	333	377	464	550	634	676
448	8	224	277	329	380	430	530	629	725	772
504	9	252	311	370	428	484	597	707	815	869
560	10	280	346	411	475	538	663	786	906	965
616	11	308	381	452	523	592	729	865	997	1062
672	12	336	415	493	570	646	796	943	1087	1158
728	13	364	450	534	618	699	862	1022	1178	1255
784	14	392	484	575	665	753	928	1100	1268	1351
840	15	420	519	617	713	807	995	1179	1359	1448
896	16	448	554	658	760	861	1061	1258	1450	1544
952	17	476	588	699	808	915	1127	1336	1540	1641
1008	18	504	623	740	855	968	1193	1415	1631	1737
1064	19	532	657	781	903	1022	1260	1493	1721	1834
1120	20	560	692	822	950	1076	1326	1572	1812	1930
1176	21	588	727	863	998	1130	1392	1651	1903	2027
1232	22	616	761	904	1045	1184	1459	1729	1993	2123
1288	23	644	796	945	1093	1237	1525	1808	2084	2220
1344	24	672	830	986	1140	1291	1591	1886	2174	2316
1400	25	700	865	1028	1188	1345	1658	1965	2265	2413
1456	26	728	900	1069	1235	1399	1724	2044	2356	2509
1512	27	756	934	1110	1283	1453	1790	2122	2446	2606
1568	28	784	969	1151	1330	1506	1856	2201	2537	2702
1624	29	812	1003	1192	1378	1560	1923	2279	2627	2799
1680	30	840	1038	1233	1425	1614	1989	2358	2718	2895
1736	31	868	1073	1274	1473	1668	2055	2437	2809	2992
1792	32	896	1107	1315	1520	1722	2122	2515	2899	3088

All intermediate sizes are available for widths from 4 to 32 elements and heights from 400 to 2500 mm

Height H [mm]		1600	1700	1800	1900	2000	2100	2200	2300	2500
Width L [mm]	N° El.	Watt $\Delta t=50^{\circ}\text{C}$	Watt $\Delta t=50^{\circ}\text{C}$	Watt $\Delta t=50^{\circ}\text{C}$	Watt $\Delta t=50^{\circ}\text{C}$	Watt $\Delta t=50^{\circ}\text{C}$	Watt $\Delta t=50^{\circ}\text{C}$	Watt $\Delta t=50^{\circ}\text{C}$	Watt $\Delta t=50^{\circ}\text{C}$	Watt $\Delta t=50^{\circ}\text{C}$
224	4	408	432	456	480	504	524	548	568	612
280	5	510	540	570	600	630	655	685	710	765
336	6	612	648	684	720	756	786	822	852	918
392	7	714	756	798	840	882	917	959	994	1071
448	8	816	864	912	960	1008	1048	1096	1136	1224
504	9	918	972	1026	1080	1134	1179	1233	1278	1377
560	10	1020	1080	1140	1200	1260	1310	1370	1420	1530
616	11	1122	1188	1254	1320	1386	1441	1507	1562	1683
672	12	1224	1296	1368	1440	1512	1572	1644	1704	1836
728	13	1326	1404	1482	1560	1638	1703	1781	1846	1989
784	14	1428	1512	1596	1680	1764	1834	1918	1988	2142
840	15	1530	1620	1710	1800	1890	1965	2055	2130	2295
896	16	1632	1728	1824	1920	2016	2096	2192	2272	2448
952	17	1734	1836	1938	2040	2142	2227	2329	2414	2601
1008	18	1836	1944	2052	2160	2268	2358	2466	2556	2754
1064	19	1938	2052	2166	2280	2394	2489	2603	2698	2907
1120	20	2040	2160	2280	2400	2520	2620	2740	2840	3060
1176	21	2142	2268	2394	2520	2646	2751	2877	2982	3213
1232	22	2244	2376	2508	2640	2772	2882	3014	3124	3366
1288	23	2346	2484	2622	2760	2898	3013	3151	3266	3519
1344	24	2448	2592	2736	2880	3024	3144	3288	3408	3672
1400	25	2550	2700	2850	3000	3150	3275	3425	3550	3825
1456	26	2652	2808	2964	3120	3276	3406	3562	3692	3978
1512	27	2754	2916	3078	3240	3402	3537	3699	3834	4131
1568	28	2856	3024	3192	3360	3528	3668	3836	3976	4284
1624	29	2958	3132	3306	3480	3654	3799	3973	4118	4437
1680	30	3060	3240	3420	3600	3780	3930	4110	4260	4590
1736	31	3162	3348	3534	3720	3906	4061	4247	4402	4743
1792	32	3264	3456	3648	3840	4032	4192	4384	4544	4896

ARDESIA®

TOWEL RAILS

ELECTRIC

STAINLESS STEEL

RADIATORS

VENTILATION
RADIATORS

MYWAY®
ACCESSORIES AND
TECHNICAL SUPPORT