

All dimensions shown are in millimetres

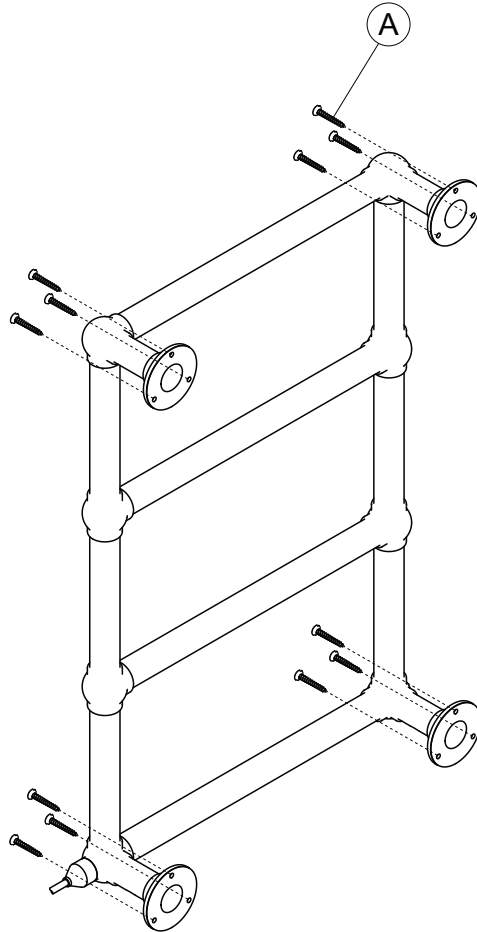
- All steel construction: **dia 31.8mm round tubes**
- Connection: **1.2m long flying lead (3 core)**
- Immersion heater rating: **IPX4 or better**

Model	Output Watts	Weight kg	Height ± 2mm	Length ± 2mm	Fixing Centres ± 5mm
BUCKE/F	150	10	750	500	n/a

Tools & Material Required

Screwdriver - crosshead
Electric drill
Masonry drill bit

Key	Component	Qty
A	Screw	12

**Assembly Instructions**

Accurately mark out bracket holes on wall.

Drill twelve fixing holes. Screws (A) are supplied but ensure that appropriate fixings are used for the type of wall the radiator is being mounted on.
Screw radiator to wall.

Electric radiators should be fitted only by a qualified electrician and must be earthed and connected to a cable outlet in the bathroom in accordance with I.E.E. wiring regulations. The electrical connection should be made to a '5 amp fused fixed spur' located outside the bathroom.

Note: for maintenance purposes, cable outlets must remain accessible and cables must not be buried directly into walls.