

All dimensions shown are in millimetres

All steel construction: **dia 25mm x 1.25mm tubes**

Connections: **1.2m long flying lead (2 core)**

Model	Height ± 2mm	Width ± 1.5%	Number of Sections	Output Watts	Weight kg
NZ-060-053/GF	600	502	10	500	27.0
NZ-060-062/GF	600	594	12	750	30.0
NZ-060-076/GF	600	732	15	1000	41.0
NZ-060-089/GF	600	870	18	1250	47.0
NZ-060-103/GF	600	1008	21	1500	58.0
NZ-060-131/GF	600	1284	27	2000	70.0

Issue 1.0



Zehnder Charleston Electric - horizontal



Tools & Material Required

- Wall plugs - 10mm
- Screws - 7mm diameter x 60mm length
- Tape measure
- Screwdriver - to suit screws
- Electric drill
- Masonry drill bit - 10mm diameter
- Spirit level

Key	Component	Qty
A	Wall Plug*	4
B	Bracket	2
C	Screw - Hex Head, 7mm dia x 60mm*	4

* Wall Plugs & Screws not supplied

Assembly Instructions

Mark out position of holes on wall using tape measure and spirit level.

Drill 10mm diameter holes in wall to a minimum depth of 65mm and insert wall plugs (A).

Screw brackets (B) into wall using screws (C).

Place radiator in position on brackets (B) and push back towards the wall until the clips on the bracket hold the radiator securely.

Electric radiators should be fitted only by a qualified electrician and must be connected to a cable outlet in the bathroom in accordance with I.E.E. wiring regulations. The electrical connection should be made to a '13 amp fused fixed spur' located outside the bathroom.

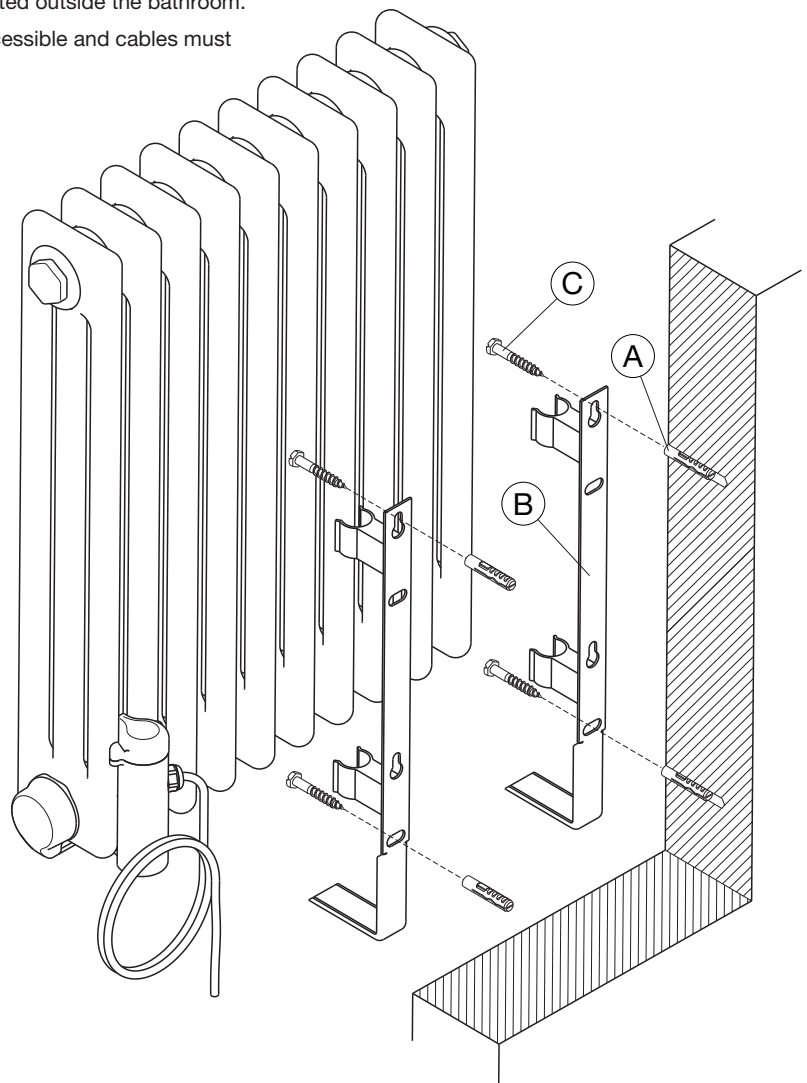
Note: for maintenance purposes, cable outlets must remain accessible and cables must not be buried directly into walls.

Wiring Guide

- Brown - live
- Grey/Blue - neutral
- Black - pilot wire. **This wire should NOT be wired to earth under any circumstances.**

Caution:

To avoid overheating, this appliance must not be covered. The control and thermostat must be kept clear at all times



Issue 1.0



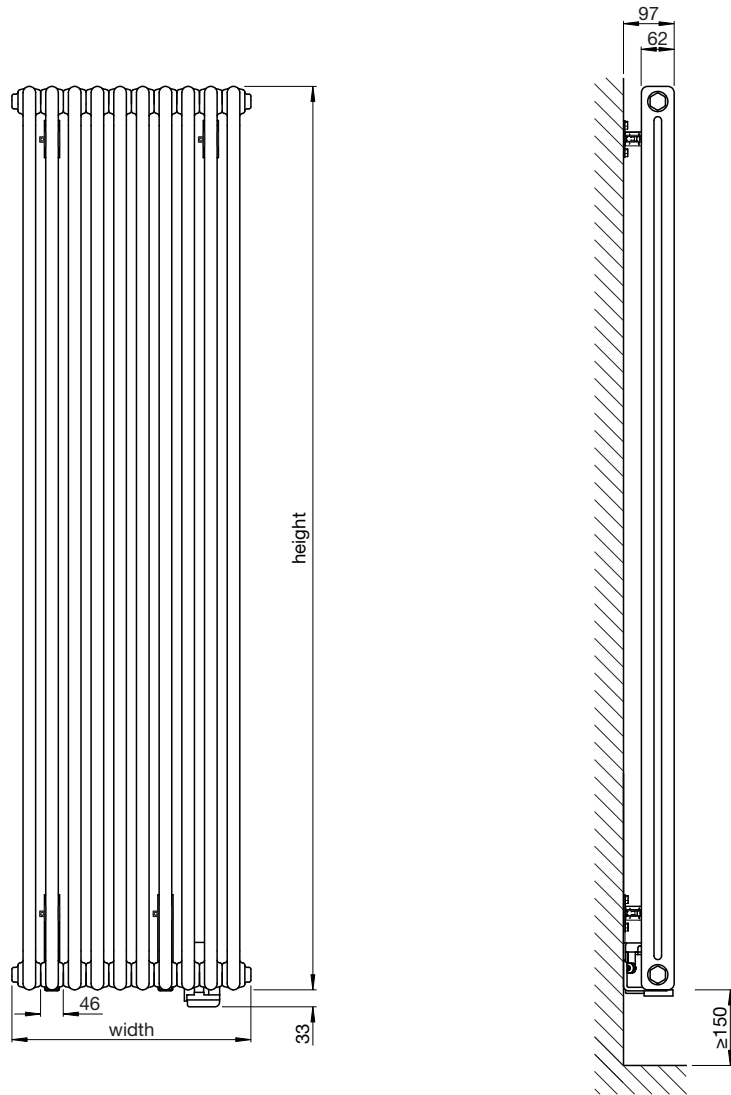
Zehnder Group UK Ltd

Concept House
Watchmoor Point
Camberley
Surrey GU15 3AD

Tel: 01276 605800
Fax: 01276 24058
retailsales@zehnder.co.uk
www.zehnder.co.uk

Registered in England: 2296696

Zehnder Charleston Electric - vertical



All dimensions shown are in millimetres

All steel construction: **dia 25mm x 1.25mm tubes**

Connections: **1.2m long flying lead (2 core)**

Model	Height ± 2mm	Width ± 1.5%	Number of Sections	Output Watts	Weight kg
NZ2-180-031/GF	1792	305	6	750	22.5
NZ2-180-040/GF	1792	397	8	1000	30.0
NZ2-180-049/GF	1792	489	10	1250	38.0
NZ2-180-058/GF	1792	581	12	1500	45.0

Issue 1.0



Zehnder Group UK Ltd

Concept House
Watchmoor Point
Camberley
Surrey GU15 3AD

Tel: 01276 605800
Fax: 01276 24058
retailsales@zehnder.co.uk
www.zehnder.co.uk

Registered in England: 2296696

Zehnder Charleston Electric - vertical



Tools & Material Required

Wall plugs - 10mm
Screws - 7mm diameter x 60mm length
Tape measure
Screwdriver - to suit screws
Electric drill
Masonry drill bit - 10mm diameter
Spirit level

Key	Component	Qty
A	Wall Plug*	8
B	Top Bracket	2
C	Bottom Bracket	2
D	Screw - Hex Head, 7mm dia x 60mm*	8

* Wall Plugs & Screws not supplied

Assembly Instructions

Mark out position of holes on wall using tape measure and spirit level.

Drill 10mm diameter holes in wall to a minimum depth of 65mm and insert wall plugs (A).

Screw brackets (B) & (C) into wall using screws (D).

Place radiator in position on brackets (B) and push back towards the wall until the clips on the bracket hold the radiator securely.

Electric radiators should be fitted only by a qualified electrician and must be connected to a cable outlet in the bathroom in accordance with I.E.E. wiring regulations. The electrical connection should be made to a '13 amp fused fixed spur' located outside the bathroom.

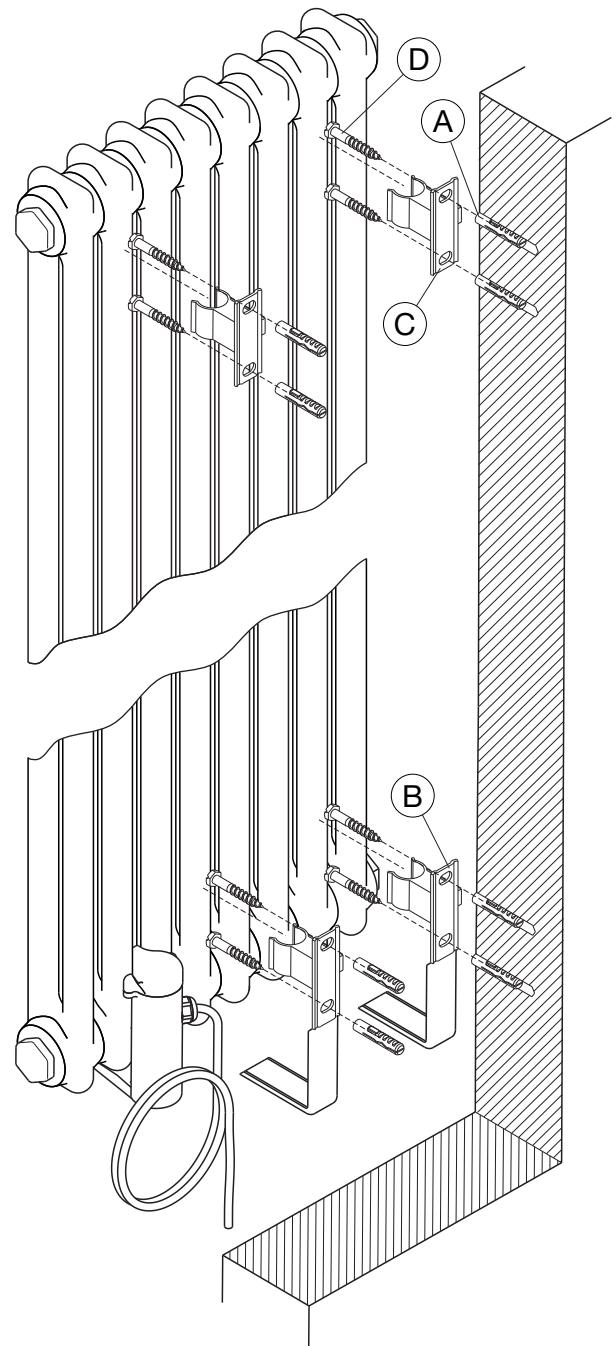
Note: for maintenance purposes, cable outlets must remain accessible and cables must not be buried directly into walls.

Wiring Guide

Brown - live
Grey/Blue - neutral
Black - pilot wire. **This wire should NOT be wired to earth under any circumstances.**

Caution:

To avoid overheating, this appliance must not be covered.
The control and thermostat must be kept clear at all times



Issue 1.0



Zehnder Group UK Ltd

Concept House
Watchmoor Point
Camberley
Surrey GU15 3AD

Tel: 01276 605800
Fax: 01276 24058
retailsales@zehnder.co.uk
www.zehnder.co.uk

Registered in England: 2296696