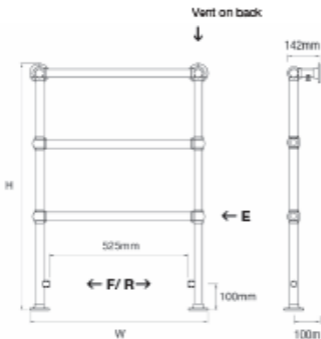


**TECHNICAL INFORMATION****STANDARD****F = Flow****R = Return****CONNECTIONS 1/2"****E = Element position****Tube Diameter = 31.8mm****Eastbury**