

TECHNICAL INFORMATION

STANDARD

CONNECTIONS 1/2"

F = Flow

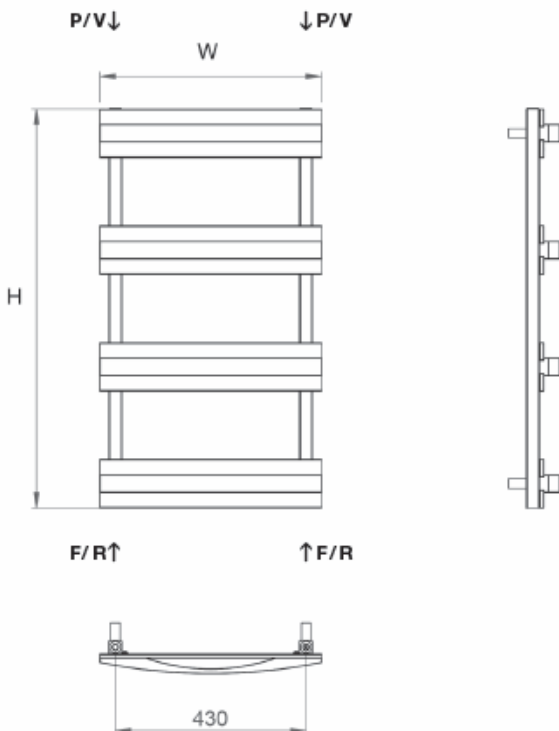
R = Return

P = Plug

V = Vent

Wall to front face = 115-140mm

Wall to pipe centre = 55-80mm



H90 - 8 tubes