

Linton Towel Rail

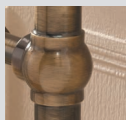


900mm x 490mm with Chrome Crosshead valves

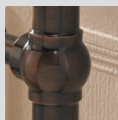
Lingfield shown on page 114

Brass tubed floor standing design, suitable for a direct system
UKCA approved & certified to BS EN442

Chrome (main image)
Antique Bronze
Antique Copper
Bright Nickel



Antique Bronze



Antique Copper



Bright Nickel

Stock Chrome: 48-72 Hours

Made to Order: Up to 5 weeks Bright Nickel, 7 weeks Antique Bronze / Copper

Pipe centres left to right	Pipe centres from wall	Maximum depth from wall
width - 147mm - valves	118mm	235mm

Stock options Chrome

Height (mm)	Width (mm)	Model	Watts $\Delta t 50^{\circ}c$	Btu's $\Delta t 50^{\circ}c$
850	600	LING8560	439	1498

Made to order options

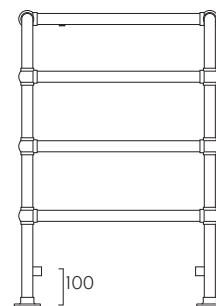
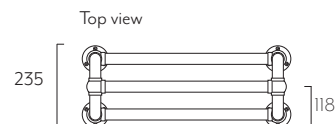
Height (mm)	Width (mm)	Model	Watts $\Delta t 50^{\circ}c$	Btu's $\Delta t 50^{\circ}c$
850	600	LING8560	439	1498

*Saving based on the value of individual items when bought separately. Order any of our selected valves & matching pipe covers at the same time as your radiator; PROMOV3W (white), PROMOV3C (chrome).



SAVE MONEY! WHEN YOU BUY OUR **CYLINDER KIT** WITH ANY TOWEL RAIL ORDER* QUOTE **PROMOV3** AT TIME OF ORDER

Available in White or Chrome



Linton Towel Rail shown on page 115

Steel tubes with a cast iron radiator
UKCA approved & certified to BS EN442

Chrome with White RAL 9016 cast iron sections

Made to Order : Up to 5 weeks



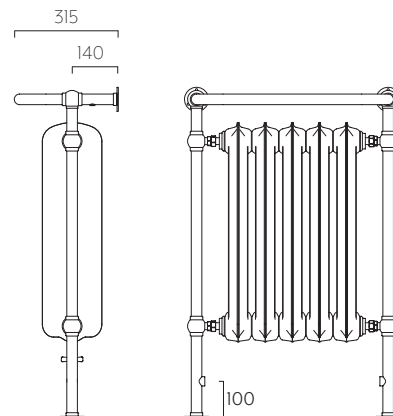
SAVE MONEY! WHEN YOU BUY OUR **CYLINDER KIT** WITH ANY TOWEL RAIL ORDER* QUOTE **PROMOV3** AT TIME OF ORDER

Available in White or Chrome

Made to order options

Height (mm)	Width (mm)	Model	Watts $\Delta t 50^{\circ}c$	Btu's $\Delta t 50^{\circ}c$
900	490	LINTR904903CW	357	1218
	650	LINTR906505CW	595	2030
	820	LINTR908207CW	834	2846
1000	490	LINTR104903CW	416	1419
	650	LINTR106505CW	694	2368
1200	490	LINTR124903CW	619	2112
	650	LINTR126505CW	1031	3518

*Saving based on the value of individual items when bought separately. Order any of our selected valves & matching pipe covers at the same time as your radiator; PROMOV3W (white), PROMOV3C (chrome).



Technical Specifications

Materials	Steel Tubes and Cast Iron Radiator
Connections	½" flow and return.
Test pressure	13 Bar
Testing authority	EN442
Maximum operating pressure	10 Bar
Maximum working temperature	95 °C
Packaging	Bubble wrapped in cardboard box on a pallet

PLEASE NOTE: Systems using micro bore pipework must have adequate pressure and flow rates for the number and style of radiators on the system.

Terms & Conditions

All products must be inspected once removed from the packaging and The Radiator Company notified within 28 days of delivery of any scratches, blemishes or other damage. The Radiator Company will then replace the radiator.

Imperfect radiators should therefore not be fitted and The Radiator Company will not accept responsibility for replacement of scratched or damaged radiators once they have been fitted. This includes any consequential loss or cost of fitting.

If The Radiator Company are not notified within 28 days of the date on the signed delivery note then it will be deemed that The Radiator Company have fully complied with its obligations and claims will not be considered.

Failure to comply with any of the above may invalidate any claims. We recommend that after you check the product on delivery that it is stored in its packaging to prevent damage prior to installation. The Radiator Company cannot accept responsibility for items damaged after delivery.

Guarantees & Liabilities

As we are not the manufacturers of this product we will take all reasonable endeavours to make over to you the benefit of any warranty or guarantee given by the manufacturer, which is usually five years on most of our range. (Copies of specific guarantees for any of our products are available on request).

The guarantees in all cases are subject to the products being installed in accordance with British and or European standards as well as these fitting instructions. The guarantees in all cases are restricted to the free of charge replacement or repair of the failed product only. Our liability will under no circumstances extend beyond the repair or replacement of the product supplied by us. Claims for either labour in replacement or damage to property are not admissible. Any goods that are returned, in the event of a problem, will belong to The Radiator Company.

Fittings Instructions

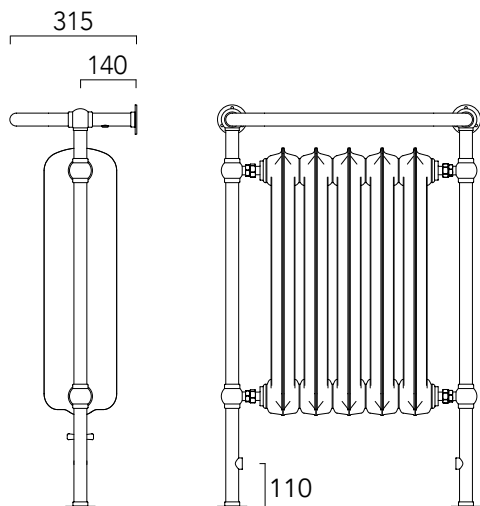


Please read these instructions and terms and conditions carefully prior to installation. Failure to do so may invalidate the warranty

The Radiator Company
Units 13 - 14 Charlwoods Road
East Grinstead
West Sussex
RH19 2HU



Diagrams of Linton Towel Rail



Pipe Centres

Tapping Centres =	width - 122mm (+/- 2mm)
Pipe centres left to right =	width - 122mm (+/- 2mm) + valves
Pipe centres from wall =	140mm
Maximum depth from wall =	315mm

1 Unpack & Inspect

The Radiator Company prides itself on selecting products from manufacturers who exercise tight quality control measures. We only select models with excellent standards of welding and brazing, as well as high quality finishes. All of our products are well packaged and should reach you in perfect condition. Just in case however, we offer a minimum 5-year no quibble guarantee for all radiators and towel rails.

The Radiator Company must be notified of any shortages or damage within 28 days of delivery. For further information please see terms and conditions on back page.



2 Contents

You should have:

- 1 Radiator

You will need:

- Tape measure
- Electric drill and bits
- Spirit level

3 Mark Bracket Positions

Place the radiator in the position desired, and mark through the holes where drilling is needed.

4 Fix Brackets

Using a suitable drill bit, screws and plugs, fix the brackets and level with a spirit level. Please see diagrams.



PLEASE NOTE :

It is essential that all brackets are level to ensure a vertical alignment for connecting the pipework.

5 Commission

Please Note:

In accordance with Part L1 2006 of the Building Regulations and BS7593:1992 code of practice for the treatment of hot water and central heating systems, we strongly recommend flushing the heating system post installation of new radiators and then adding the correct quantity and type of inhibitor for use with your radiator and system to prevent corrosion. Damage caused to systems not protected by a suitable inhibitor will not be covered by manufacturer's guarantee.