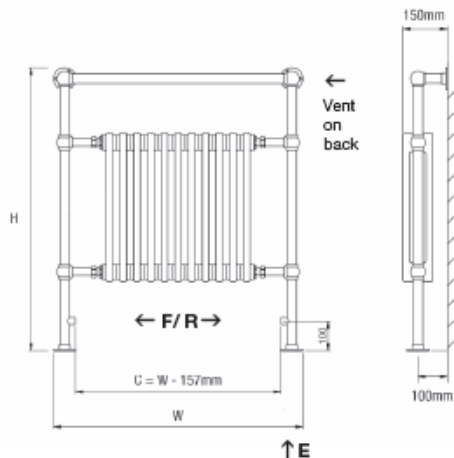


**TECHNICAL INFORMATION**  
**STANDARD**  
**CONNECTIONS 1/2"**

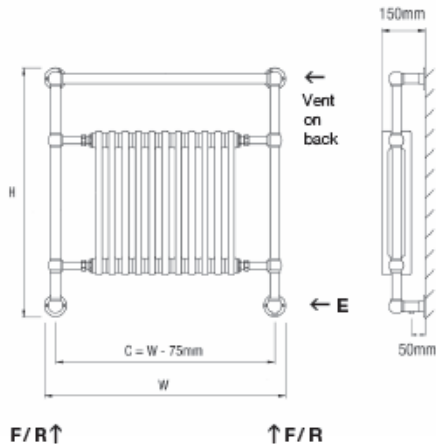
**F** = Flow  
**R** = Return

**E** = Element  
**P** = Position

Tube Diameter = 31.8mm



**Lynford – Floor Mounted**



**Lynford – Wall Mounted**