

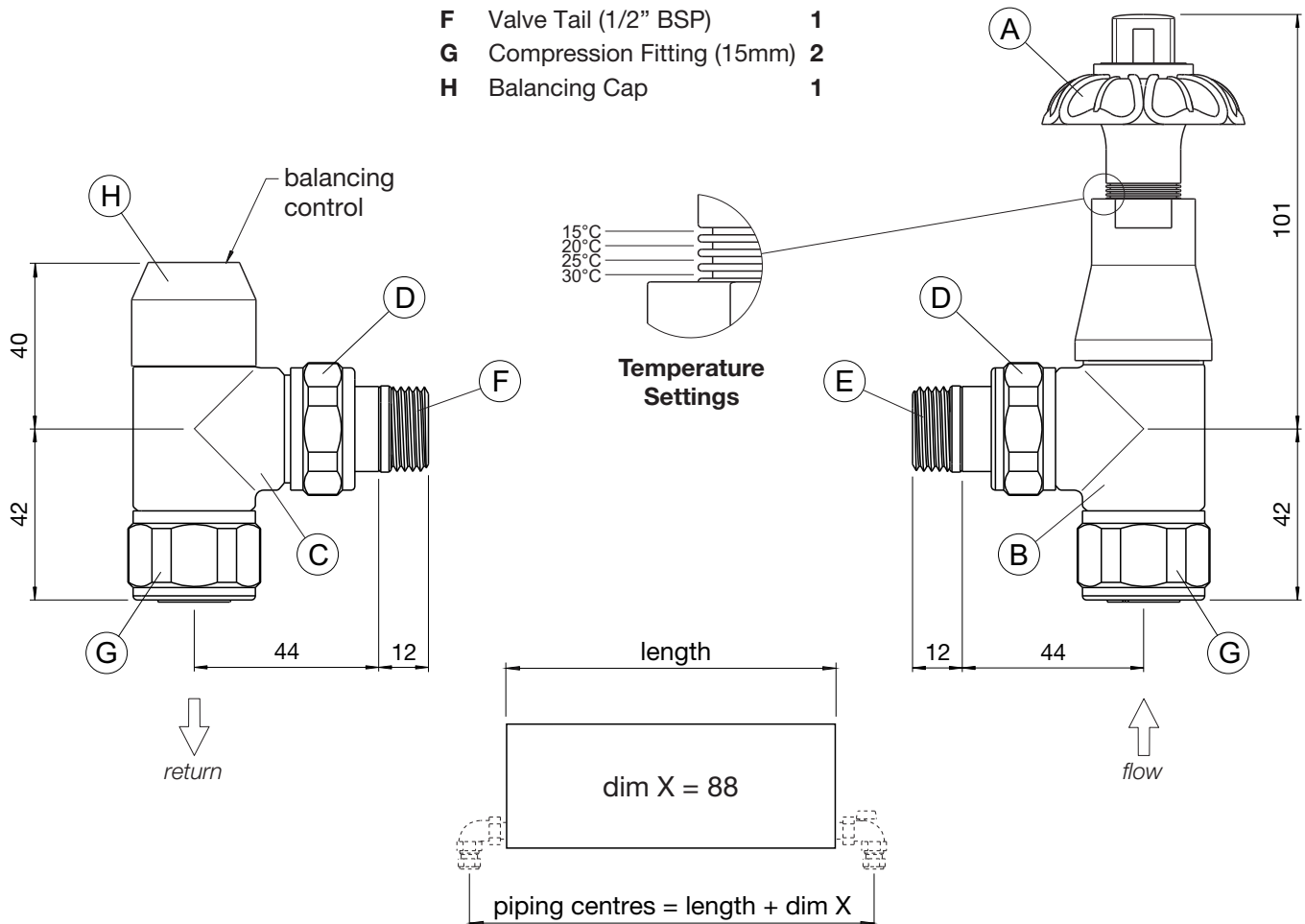
Zehnder Valve Set 17

always the
best climate **zehnder**

Tools & Material Required

Allen key - 12mm
Adjustable Spanner

Key	Component	Qty
A	Thermostatic Cap	1
B	Thermostatic Body	1
C	Manual Body	1
D	Nut	2
E	Valve Tail (1/2" BSP)	1
F	Valve Tail (1/2" BSP)	1
G	Compression Fitting (15mm)	2
H	Balancing Cap	1



Assembly Instructions

- Fit valve tail (E) to flow side of radiator using 12mm Allen key, ensuring nut (D) is in place.
Note: over-tightening of valve tails may cause damage to surface finish of radiator connections. Do not use grips.
- Fit valve tail (F) to return side of radiator using 12mm Allen key, ensuring nut (D) is in place.
- Loosen compression fittings (G) and apply valve bodies (B) & (C) to 15mm pipe tails.
- Install radiator onto bracket mountings and tighten valve tails (E) & (F) onto valve bodies (B) & (C) respectively.
- Fully tighten compression fittings (G).
- Rotate thermostatic cap (A) to desired temperature setting.
- After filling and venting radiator, remove cap (H) and adjust balancing control to balance radiator.

Please note: thermostatic valve must only be installed on the flow side of system.

Issue 1.0



Zehnder Group UK Ltd

Concept House
Watchmoor Point
Camberley
Surrey GU15 3AD

Tel: 01276 605800
Fax: 01276 24058
retailsales@zehnder.co.uk
www.zehnder.co.uk

Registered in England: 2296696