



YARA

PATENTED

**EUROPEAN
WARRANTY**

MATERIAL:

Vertical collector in painted carbon steel 90x30 mm.
Horizontal heating elements in painted carbon steel \varnothing 18 mm.

FIXING KIT:

Brackets, airvent, hexagonal tool, plugs and screws for mounting suitable for use on compact or hollow brick, user notice.
The kit is certified from TÜV in compliance with VDI 6036-class 4.

PACKAGING:

The radiator is protected by a film in polyethylene and with a carton box.
User notice included.

PAINTING PROCESS:

Painted with ecological epoxy. (Certificate DIN 55900-1,-2).
Thermal outputs certified in accredited laboratories in compliance with European norm EN442.

COLOURS:

Radiator and accessories: standard white colour R01.

PRODUCT CERTIFICATES



Pression maximale de service: 5 bar

Température maximale de service: 110° C

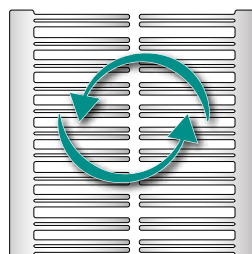
Available for central heating systems

Connexions: n° 2 x 1/2" gaz - n° 2 x 1/2" gaz

AWARD



REVERSIBLE



ACCESSORIES



Elegant square manual valve kit painted pure white R01

Copper connection \varnothing 12/14/15
Art. Nr. 5991990310553

Multilayer connection \varnothing 16
Art. Nr. 5991990310552



Elegant square pipe centres 50 mm valve kit painted pure white R01 with thermostatic head - right

Copper connection \varnothing 12/14/15
Art. Nr. 5991990310543

Multilayer connection \varnothing 16
Art. Nr. 5991990310542



Tinta valve pipe centres 50 mm with thermostatic head - right

Copper connection \varnothing 12/14/15
Art. Nr. 5991990311217

Multilayer connection \varnothing 16
Art. Nr. 5991990311216



Elegant with thermostatic head square pure white R01 painted valve kit

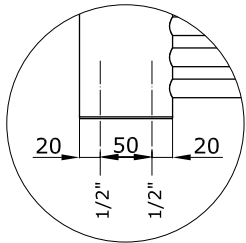
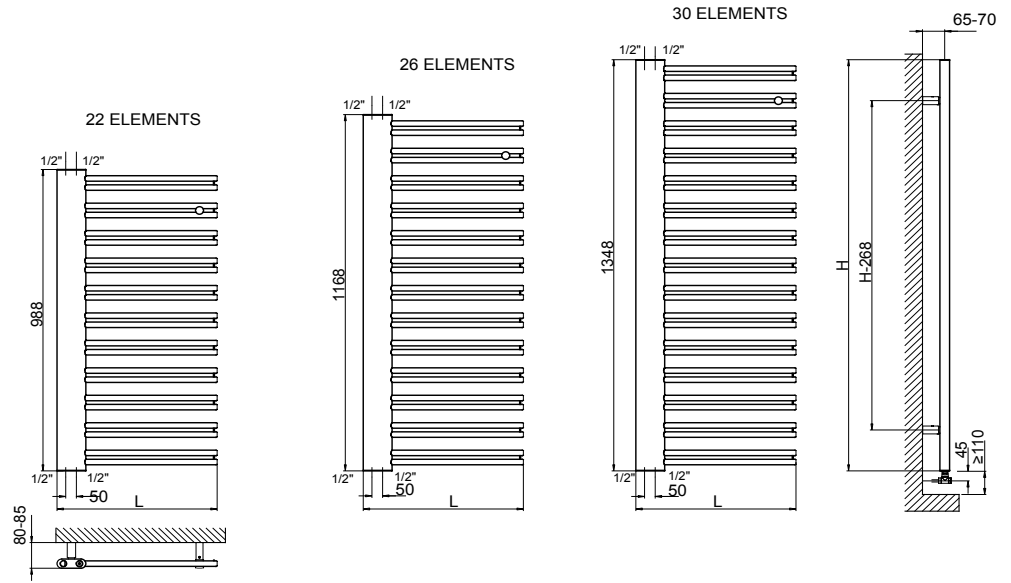
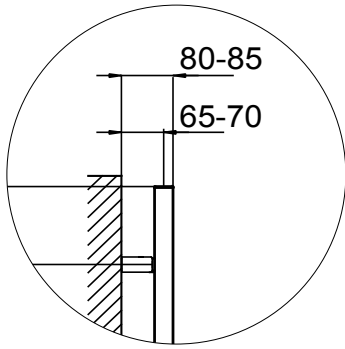
Copper connection \varnothing 12/14/15
Art. Nr. 5991990310539

Multilayer connection \varnothing 16
Art. Nr. 5991990310538



Sleeving kit for Pipe Centres 50 mm - valves polished

Art. Nr. 5103000000057



YARA

Art. Nr.	Height	Width	Pipe Centres	Dry Weight	Surface	Water Content	Thermal output Watt		Exponent n
	H [mm]	L [mm]	I [mm]	[Kg]	[m ²]	[lt]	$\Delta t = 50^{\circ}\text{C}$	$\Delta t = 30^{\circ}\text{C}$	
3551436101001	988	500	50	16,4	0,8	3,8	465	246	1,2466
3551436101002	1168	500	50	19,4	0,9	4,4	557	292	1,2646
3551436101003	1348	500	50	22,4	1,0	5,1	613	319	1,2786

Art. Nr. are referred to colour WHITE R01 version.

For output at different Δt than 50°C , please refer to the following formula: desired output = output at $\Delta t 50^{\circ}\text{C}$ x (desired $\Delta t/50$)ⁿ