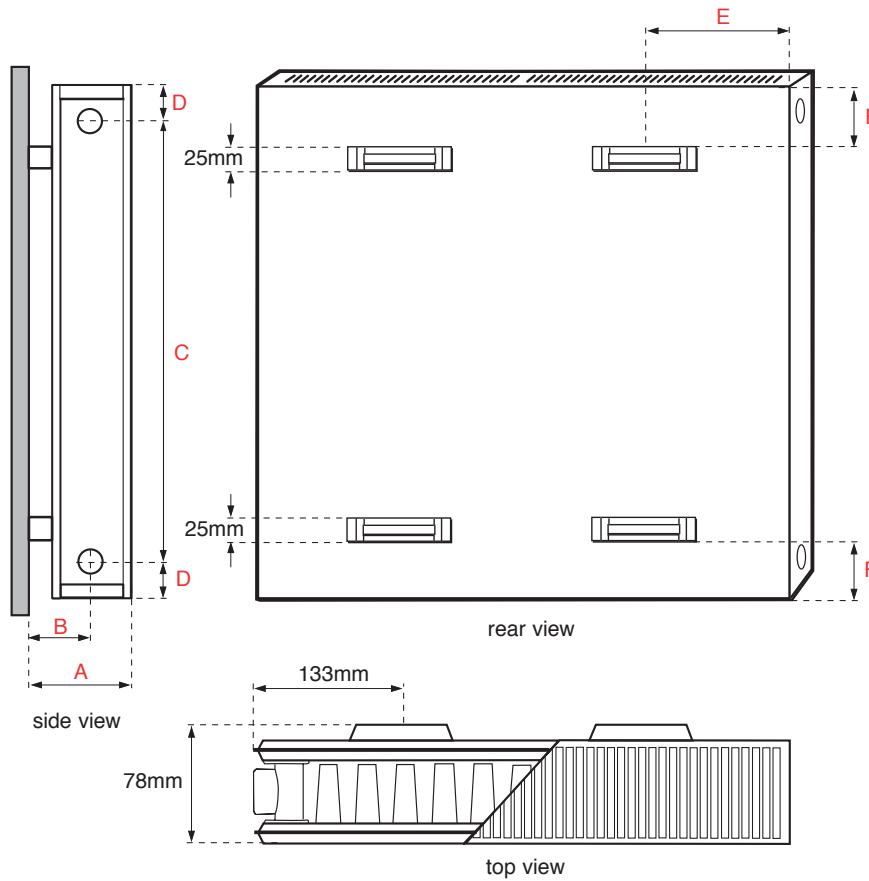


APOLLO milano horizontal plan technical specification



| MILANO HORIZONTAL PLAN DIMENSIONS (mm) | | | |
|--|--------------|-----|-----------------|
| MODEL HEIGHT 300, 400, 500, 600, 900 | | | |
| Depth | | | 78 |
| Wall to front of rad | | (A) | 100 |
| Wall to pipe centres | Side entry | (B) | 59 |
| | Bottom entry | | N/A |
| Tapping centres | Side entry | (C) | Height minus 60 |
| | Bottom entry | | N/A |
| Pipe centres | Side entry | (D) | 30 |
| | Bottom entry | | N/A |
| Backhandle centres from edge | | (E) | 133 |
| Backhandle positions | | (F) | 100 |

| MILANO HORIZONTAL PLAN WEIGHTS AND VOLUMES (per metre) | | | | | |
|--|-------|-------|-------|-------|-------|
| Model height mm | 300 | 400 | 500 | 600 | 900 |
| Dry weight (A) Kg | 17.70 | 23.60 | 29.50 | 35.40 | 53.00 |
| Water content (B) Litres | 3.20 | 4.10 | 5.00 | 5.90 | 8.50 |
| Working weight (A+B) Kg | 20.90 | 27.70 | 34.50 | 41.30 | 61.50 |
| Outputs: Watts $\Delta T=50k$ | 744 | 957 | 1170 | 1365 | 1896 |

Horizontal plan type 21
6H 600 water content = 5.82 X 0.6

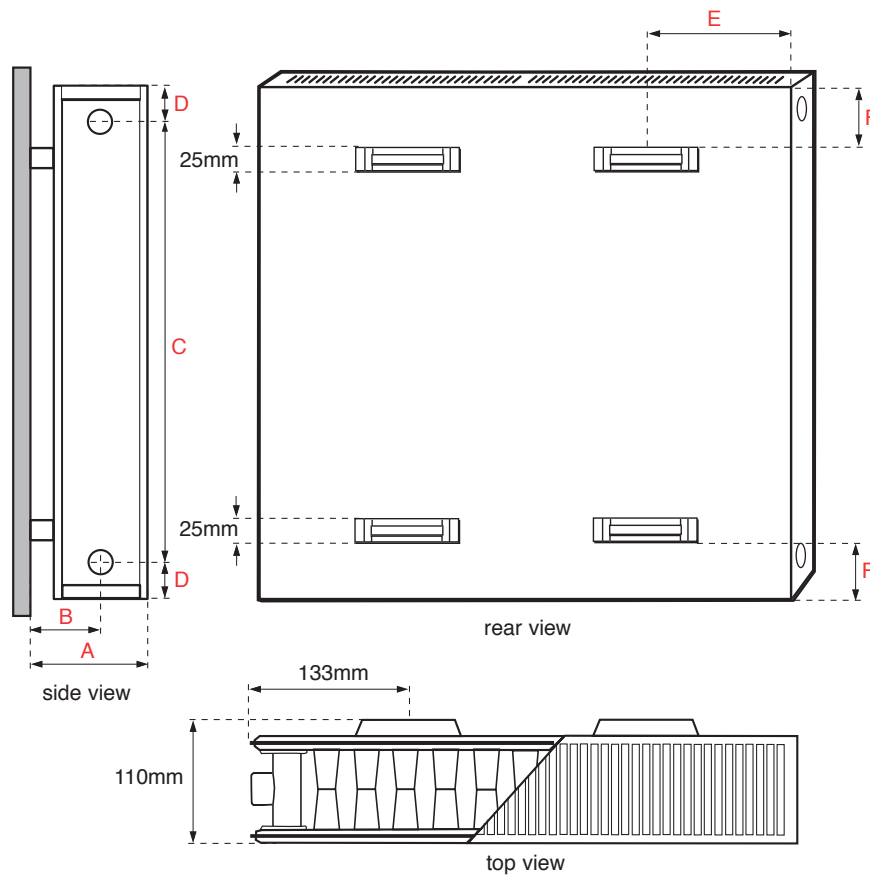
| TEMPERATURE | | | |
|---|-------|--------|-------|
| FACTORS FOR DIFFERENCES BETWEEN MEAN WATER TEMPERATURE AND ROOM TEMPERATURE IN °C AND °F OTHER THAN 50 °C (90 °F) | | | |
| 5 °C | 0.050 | 10 °F | 0.057 |
| 10 °C | 0.123 | 20 °F | 0.142 |
| 15 °C | 0.209 | 30 °F | 0.240 |
| 20 °C | 0.304 | 40 °F | 0.348 |
| 25 °C | 0.406 | 50 °F | 0.466 |
| 30 °C | 0.515 | 60 °F | 0.590 |
| 35 °C | 0.629 | 70 °F | 0.721 |
| 40 °C | 0.748 | 80 °F | 0.858 |
| 45 °C | 0.872 | 90 °F | 1.000 |
| 50 °C | 1.000 | 100 °F | 1.147 |
| 55 °C | 1.132 | 110 °F | 1.298 |
| 60 °C | 1.267 | 120 °F | 1.454 |
| 65 °C | 1.406 | 130 °F | 1.613 |
| 70 °C | 1.549 | 140 °F | 1.776 |
| 75 °C | 1.694 | | |

TO APPLY THE FACTORS SHOWN IN THE TABLE TO OUR QUOTED OUTPUTS. MULTIPLY THE QUOTED OUTPUT BY THE CHOSEN OPERATING FACTOR TO GIVE THE OUTPUT

| ADDITIONAL INFORMATION | |
|-----------------------------|-------------------|
| Material | Steel |
| Steel thickness | 1.2mm |
| Maximum working pressure | 10 bar/1000 kPa |
| Testing pressure | 13.5 bar/1350 kPa |
| Maximum working temperature | 95°C |

The thermal outputs expressed at $\Delta T=50k$ comply with European regulation EN 442-2

APOLLO milano deep horizontal plan technical specification



MILANO DEEP HORIZONTAL PLAN DIMENSIONS (mm)

| MILANO DEEP HORIZONTAL PLAN DIMENSIONS (mm) | | | |
|---|--------------|-----|-----------------|
| MODEL HEIGHT 600, 900 | | | |
| Depth | | | 110 |
| Wall to front of rad | | (A) | 132 |
| Wall to pipe centres | Side entry | (B) | 75 |
| | Bottom entry | | N/A |
| Tapping centres | Side entry | (C) | Height minus 60 |
| | Bottom entry | | N/A |
| Pipe centres | Side entry | (D) | 30 |
| | Bottom entry | | N/A |
| Backhandle centres from edge | | (E) | 133 |
| Backhandle positions | | (F) | 100 |

MILANO DEEP HORIZONTAL PLAN WEIGHTS AND VOLUMES (per metre)

| MILANO DEEP HORIZONTAL PLAN WEIGHTS AND VOLUMES (per metre) | | |
|---|-------|-------|
| Model height mm | 600 | 900 |
| Dry weight (A) Kg | 41.38 | 61.87 |
| Water content (B) Litres | 5.85 | 8.40 |
| Working weight (A+B) Kg | 47.23 | 70.27 |
| Outputs: Watts $\Delta T=50k$ | 1776 | 2424 |

Horizontal plan type 22
9H 600 water content = 8.40 x 0.6

TEMPERATURE

FACTORS FOR DIFFERENCES BETWEEN MEAN WATER TEMPERATURE AND ROOM TEMPERATURE IN °C AND °F OTHER THAN 50 °C (90 °F)

| | | | |
|-------|-------|--------|-------|
| 5 °C | 0.050 | 10 °F | 0.057 |
| 10 °C | 0.123 | 20 °F | 0.142 |
| 15 °C | 0.209 | 30 °F | 0.240 |
| 20 °C | 0.304 | 40 °F | 0.348 |
| 25 °C | 0.406 | 50 °F | 0.466 |
| 30 °C | 0.515 | 60 °F | 0.590 |
| 35 °C | 0.629 | 70 °F | 0.721 |
| 40 °C | 0.748 | 80 °F | 0.858 |
| 45 °C | 0.872 | 90 °F | 1.000 |
| 50 °C | 1.000 | 100 °F | 1.147 |
| 55 °C | 1.132 | 110 °F | 1.298 |
| 60 °C | 1.267 | 120 °F | 1.454 |
| 65 °C | 1.406 | 130 °F | 1.613 |
| 70 °C | 1.549 | 140 °F | 1.776 |
| 75 °C | 1.694 | | |

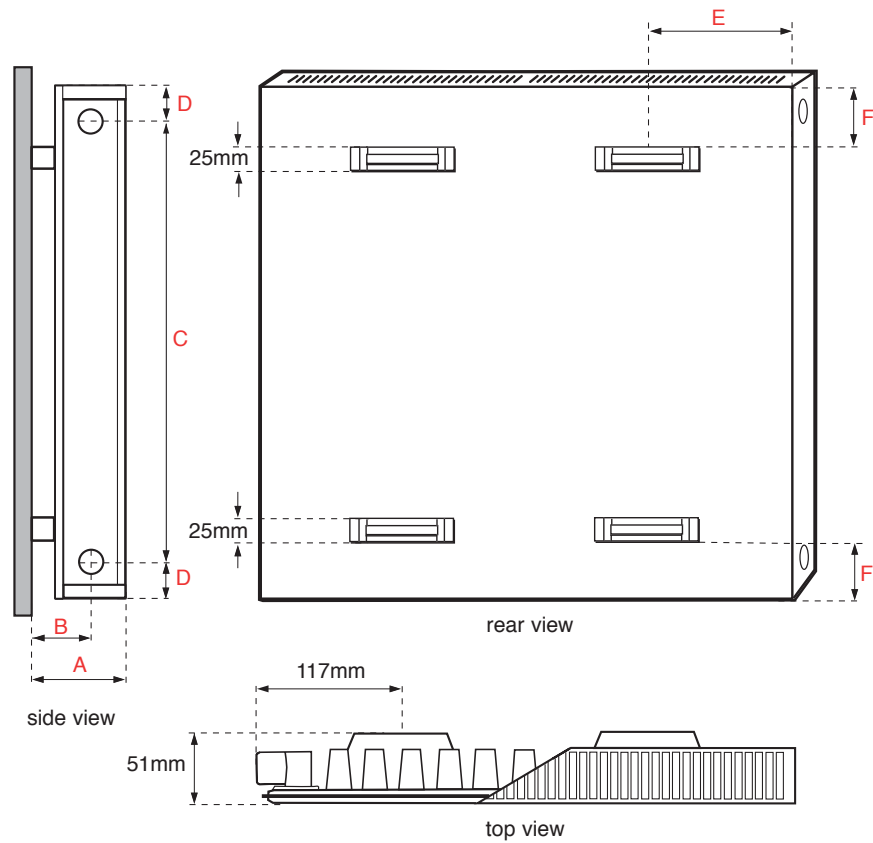
TO APPLY THE FACTORS SHOWN IN THE TABLE TO OUR QUOTED OUTPUTS. MULTIPLY THE QUOTED OUTPUT BY THE CHOSEN OPERATING FACTOR TO GIVE THE OUTPUT

ADDITIONAL INFORMATION

| | |
|-----------------------------|-------------------|
| Material | Steel |
| Steel thickness | 1.2mm |
| Maximum working pressure | 10 bar/1000 kPa |
| Testing pressure | 13.5 bar/1350 kPa |
| Maximum working temperature | 95°C |

The thermal outputs expressed at $\Delta T=50k$ comply with European regulation EN 442-2

APOLLO milano slimline horizontal plan technical specification



MILANO SLIMLINE HORIZONTAL PLAN DIMENSIONS (mm)

| MILANO SLIMLINE HORIZONTAL PLAN DIMENSIONS (mm) | | | |
|---|--------------|-----|-----------------|
| MODEL HEIGHT 300, 400, 500, 600 | | | |
| Depth | | | 51 |
| Wall to front of rad | | (A) | 73 |
| Wall to pipe centres | Side entry | (B) | 40 |
| | Bottom entry | | N/A |
| Tapping centres | Side entry | (C) | Height minus 60 |
| | Bottom entry | | N/A |
| Pipe centres | Side entry | (D) | 30 |
| | Bottom entry | | N/A |
| Backhandle centres from edge | | (E) | 117 |
| Backhandle positions | | (F) | 100 |

MILANO SLIMLINE HORIZONTAL PLAN WEIGHTS AND VOLUMES (per metre)

| MILANO SLIMLINE HORIZONTAL PLAN WEIGHTS AND VOLUMES (per metre) | | | | |
|---|-------|-------|-------|-------|
| Model height mm | 300 | 400 | 500 | 600 |
| Dry weight (A) Kg | 11.50 | 15.40 | 19.40 | 23.40 |
| Water content (B) Litres | 1.70 | 2.10 | 2.50 | 2.90 |
| Working weight (A+B) Kg | 13.20 | 17.50 | 21.90 | 26.30 |
| Outputs: Watts $\Delta T=50k$ | 495 | 653 | 807 | 950 |

Horizontal plan type 11
6H 600 water content = 2.91 X 0.8

TEMPERATURE

FACTORS FOR DIFFERENCES BETWEEN MEAN WATER TEMPERATURE AND ROOM TEMPERATURE IN °C AND °F OTHER THAN 50 °C (90 °F)

| | | | |
|-------|-------|--------|-------|
| 5 °C | 0.050 | 10 °F | 0.057 |
| 10 °C | 0.123 | 20 °F | 0.142 |
| 15 °C | 0.209 | 30 °F | 0.240 |
| 20 °C | 0.304 | 40 °F | 0.348 |
| 25 °C | 0.406 | 50 °F | 0.466 |
| 30 °C | 0.515 | 60 °F | 0.590 |
| 35 °C | 0.629 | 70 °F | 0.721 |
| 40 °C | 0.748 | 80 °F | 0.858 |
| 45 °C | 0.872 | 90 °F | 1.000 |
| 50 °C | 1.000 | 100 °F | 1.147 |
| 55 °C | 1.132 | 110 °F | 1.298 |
| 60 °C | 1.267 | 120 °F | 1.454 |
| 65 °C | 1.406 | 130 °F | 1.613 |
| 70 °C | 1.549 | 140 °F | 1.776 |
| 75 °C | 1.694 | | |

TO APPLY THE FACTORS SHOWN IN THE TABLE TO OUR QUOTED OUTPUTS. MULTIPLY THE QUOTED OUTPUT BY THE CHOSEN OPERATING FACTOR TO GIVE THE OUTPUT

ADDITIONAL INFORMATION

| | |
|-----------------------------|-------------------|
| Material | Steel |
| Steel thickness | 1.2mm |
| Maximum working pressure | 10 bar/1000 kPa |
| Testing pressure | 13.5 bar/1350 kPa |
| Maximum working temperature | 95°C |

The thermal outputs expressed at $\Delta T=50k$ comply with European regulation EN 442-2