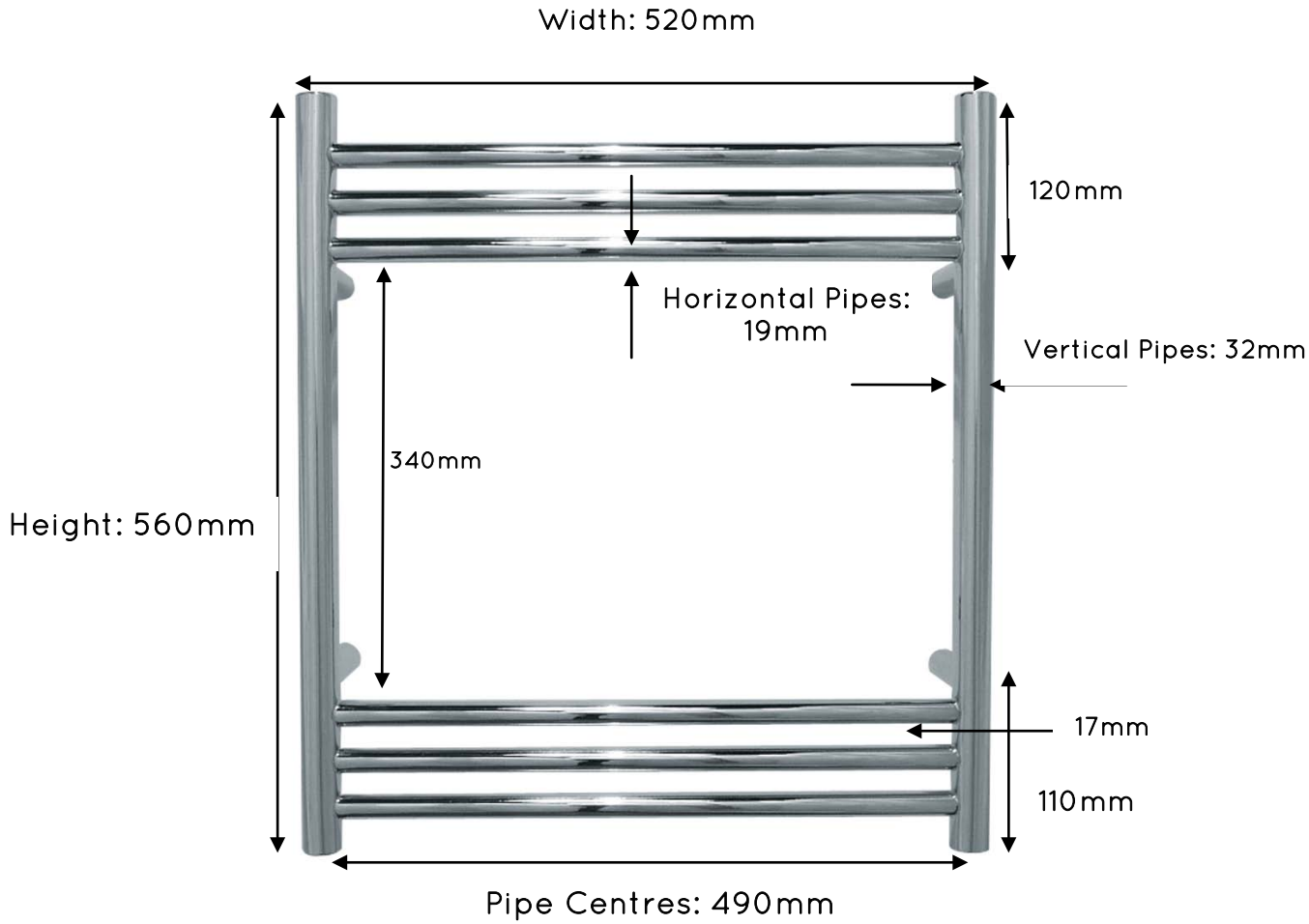


JIS EUROPE  
100% STAINLESS STEEL  
— EST 1997 —

HEATED TOWEL RAILS

Lewes 560mm x 520mm

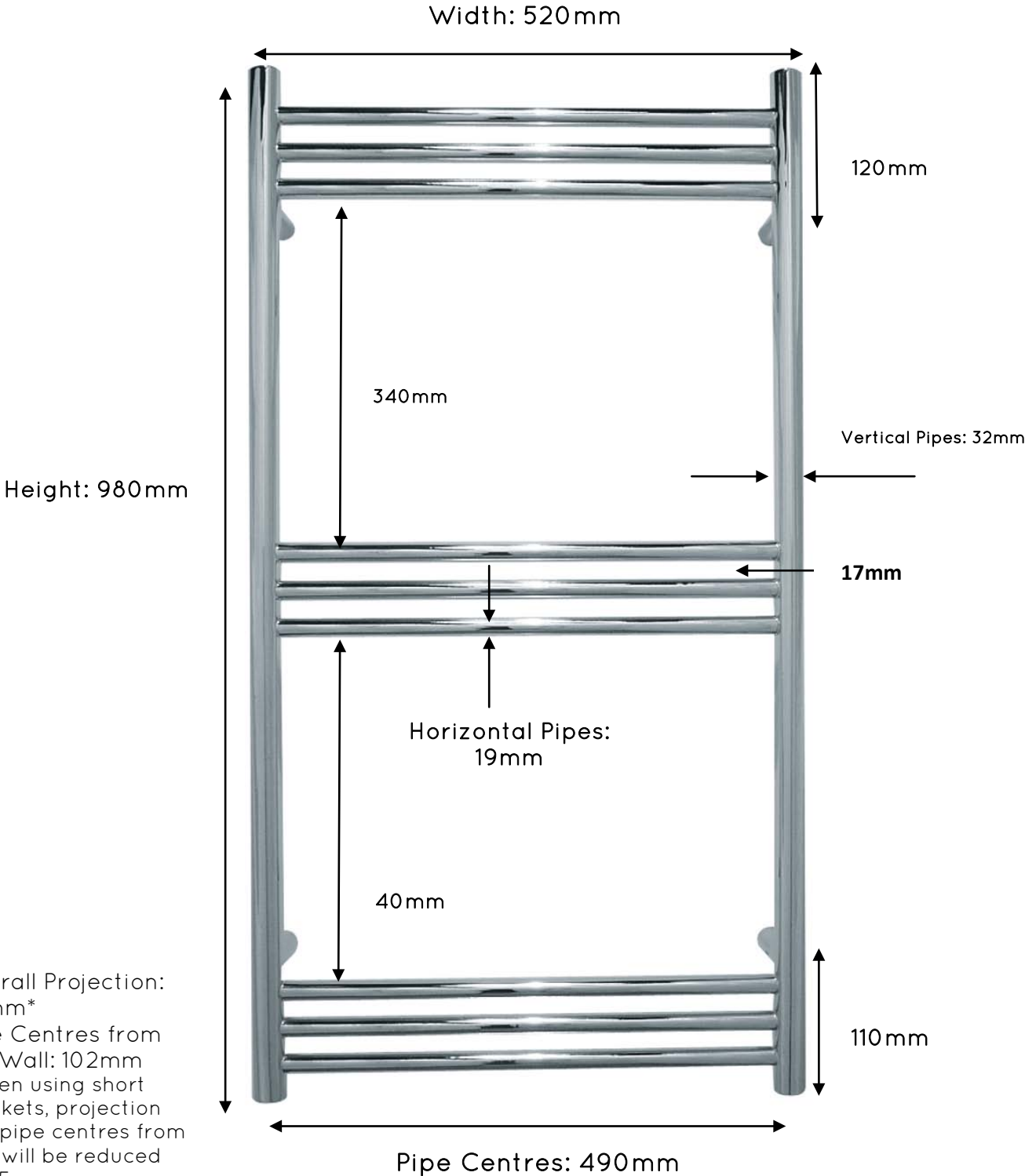


Overall Projection: 117mm\*  
Pipe Centres from the Wall: 102mm  
\*When using short brackets, projection and pipe centres from wall will be reduced by 25mm.

JIS EUROPE  
100% STAINLESS STEEL  
— EST 1997 —

HEATED TOWEL RAILS

Lewes 980mm x 520mm

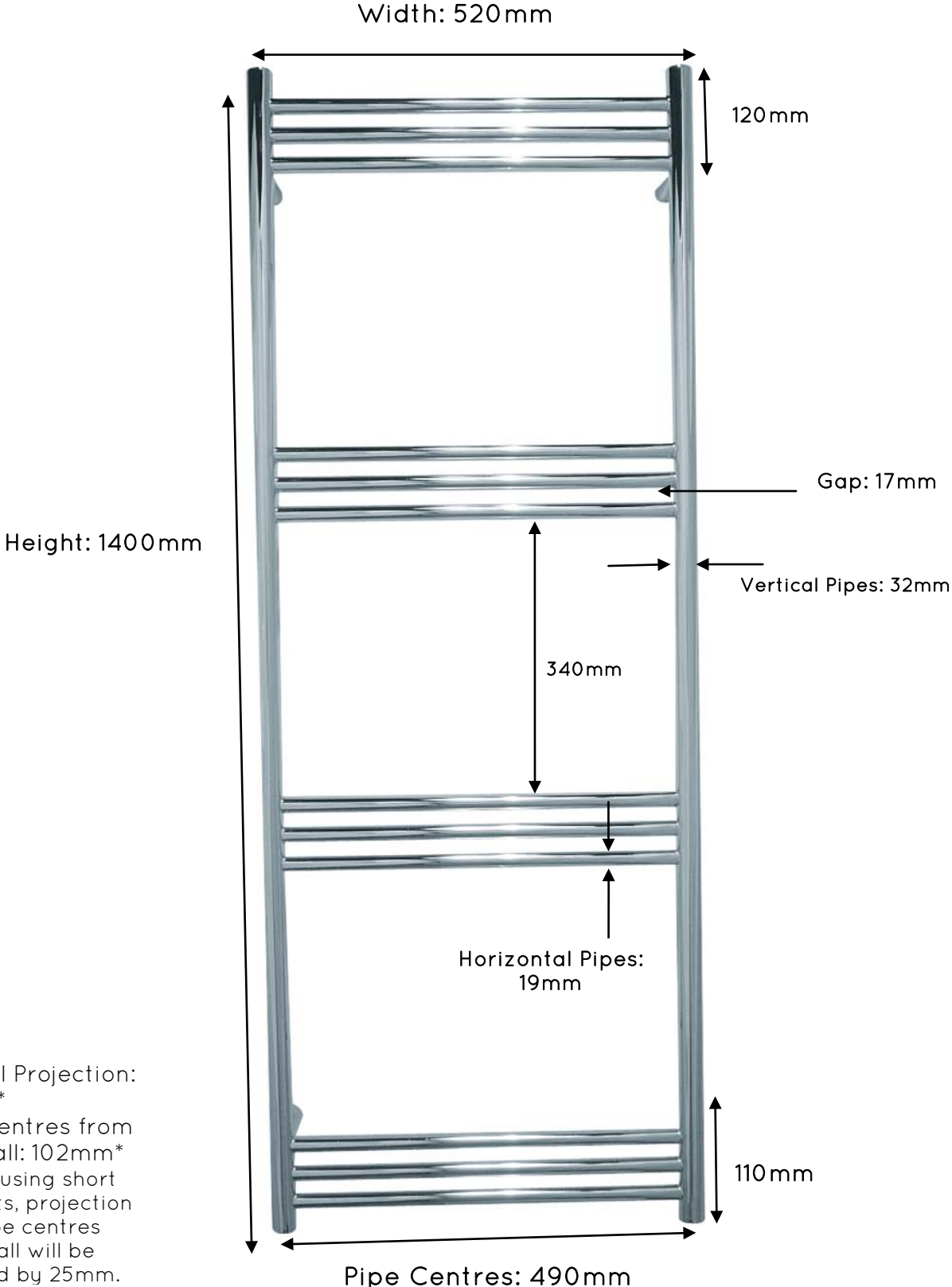


Overall Projection: 117mm\*  
Pipe Centres from the Wall: 102mm  
\*When using short brackets, projection and pipe centres from wall will be reduced by 25mm.

JIS EUROPE  
100% STAINLESS STEEL  
— EST 1997 —

HEATED TOWEL RAILS

Lewes 1400mm x 520mm



Overall Projection: 117mm\*  
Pipe Centres from the Wall: 102mm\*  
\*When using short brackets, projection and pipe centres from wall will be reduced by 25mm.