

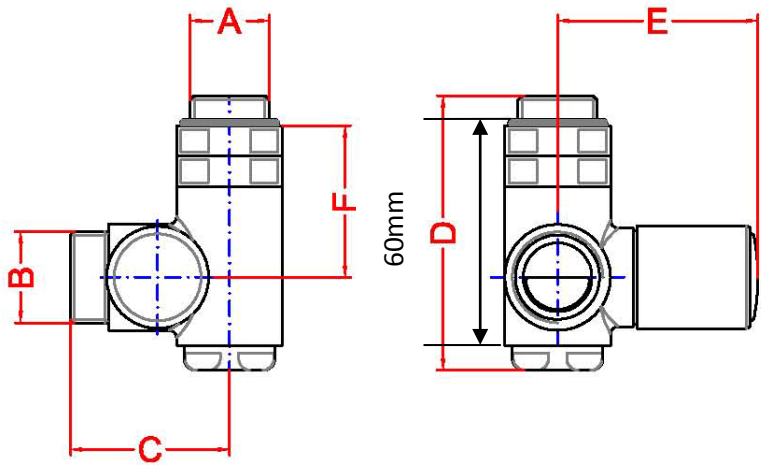
JIS EUROPE
100% STAINLESS STEEL

— EST 1997 —

HEATED TOWEL RAILS

Dual Fuel Valves

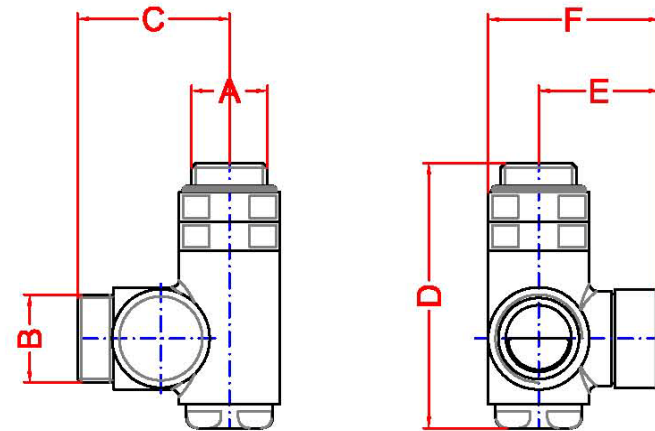
TAP



| A | B | C | D | E | F |
|----|---------|------|--------|------|------|
| ½" | 24-19mm | 42mm | 72.5mm | 53mm | 40mm |



LOCKSHIELD



| A | B | C | D | E | F |
|----|---------|------|--------|------|------|
| ½" | 24-19mm | 42mm | 72.5mm | 34mm | 48mm |

