



# LOLA<sup>®</sup> HORIZONTAL

POLISHED STAINLESS STEEL | DECOR

**3D**  
TRADEMARK

**15 YEARS**  
WARRANTY

**MATERIAL:**

Vertical collectors in polished stainless steel with  $\varnothing$  of 38 mm.  
Curved heating elements in polished stainless steel 30x10 mm.

**FIXING KIT:**

Brackets, airvent, hexagonal tool, plugs and screws for mounting suitable for use on compact or hollow brick, user notice.  
The kit is certified from TÜV in compliance with VDI 6036-class 4.

**PACKAGING:**

The radiator is protected by a recyclable film in polyethylene and with a carton box. User notice included.

**FEATURES:**

It is totally made in stainless steel with an unalterable finishing guaranteed during the years.  
Thermal outputs certified in accredited laboratories in compliance with European norm EN442.

PRODUCT CERTIFICATES



Pression maximale de service: 8 bar

Température maximale de service: 110° C

Available for central heating systems

Connexions: n° 2 x 1/2" gaz - n° 1 x 1/2" gaz

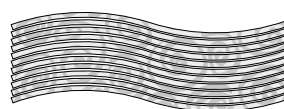
AWARD

**GOLD VILLA**  
AWARD

LOLA<sup>®</sup> DECOR



artwork **Mariano Moroni**



ACCESSORIES



**Elegant square manual polished valve kit**

Copper connection  $\varnothing$  12/14/15  
Art. Nr. 5991990301084

Multilayer connection  $\varnothing$  16  
Art. Nr. 5991990301083



**Elegant reverse manual polished valve kit**

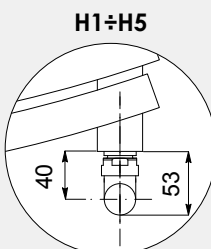
Copper connection  $\varnothing$  12/14/15  
Art. Nr. 5991990301082

Multilayer connection  $\varnothing$  16  
Art. Nr. 5991990301081

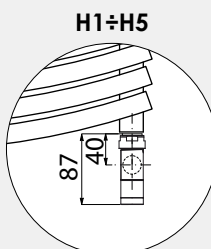


**Kit 2 hooks polished stainless steel**

Art. Nr. 5991990010223



Measures for Elegant square manual valve

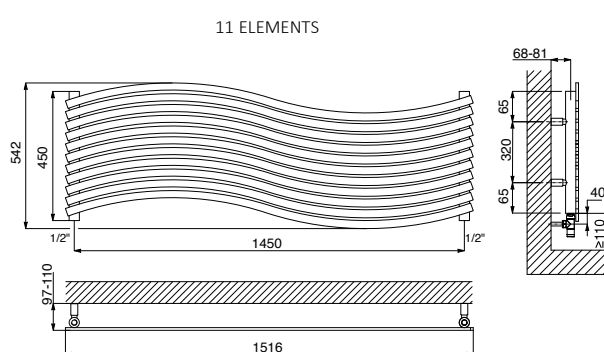
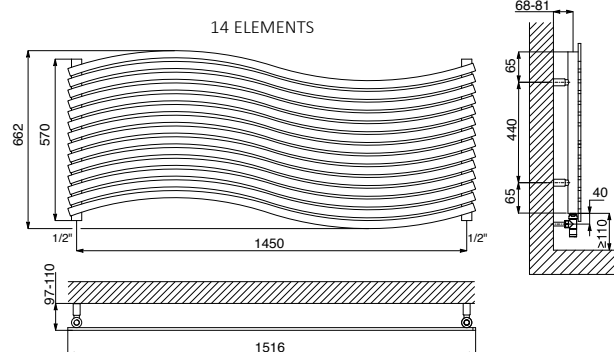
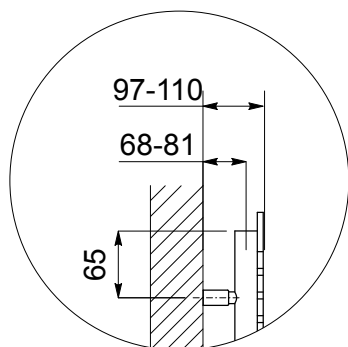


Measures for Elegant reverse manual valve

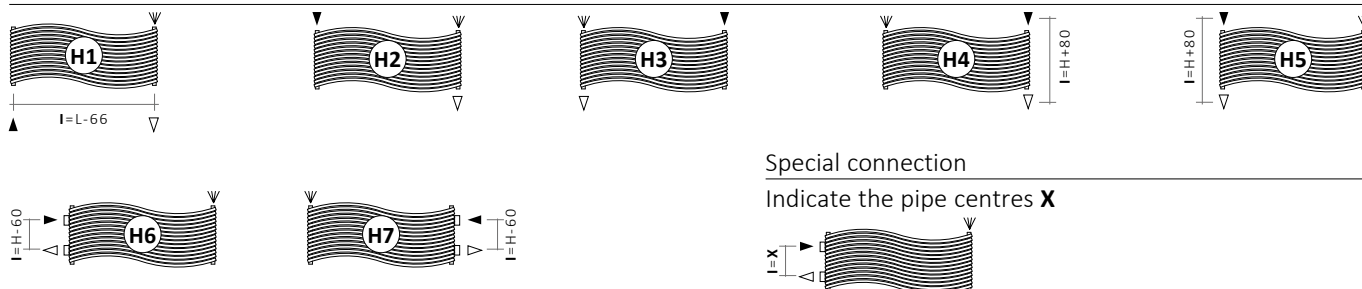


**Sleeving kit for polished valves**

Art. Nr. 5103000000044



## Standard Connexions



Always specify the kind of connection needed when ordering (from H1 to H7).

Legend = ► In ◄ Out ◄ Airvent H Height I Pipe Centres L Width □ Connection

LOLA<sup>®</sup> HORIZONTAL

Variant	Height H [mm]	Width L [mm]	Pipe Centres I [mm]	POLISHED		DECOR		Dry Weight [Kg]	Surface [m <sup>2</sup> ]	Water Content [lt]	Thermal output Watt		Exponent n
				Art. Nr.	Art. Nr.	Δt = 50°C	Δt = 30°C						
											Art. Nr.	Art. Nr.	
H1	450	1516	1450	3551740000005	3551740000006	15,5	1,45	4,1	507	264	1,2746		
	570	1516	1450	3551740000004	3551740000007	19,0	1,84	5,1	645	334	1,2878		
H2	450	1516	-	3551740000050	3551740000072	15,5	1,45	4,1	507	264	1,2746		
	570	1516	-	3551740000107	3551740000073	19,0	1,84	5,1	645	334	1,2878		
H3	450	1516	-	3551740000108	3551740000112	15,5	1,45	4,1	507	264	1,2746		
	570	1516	-	3551740000095	3551740000102	19,0	1,84	5,1	645	334	1,2878		
H4	450	1516	530	3551740000042	3551740000066	15,5	1,45	4,1	507	264	1,2746		
	570	1516	650	3551740000068	3551740000059	19,0	1,84	5,1	645	334	1,2878		
H5	450	1516	530	3551740000080	3551740000083	15,5	1,45	4,1	507	264	1,2746		
	570	1516	650	3551740000058	3551740000078	19,0	1,84	5,1	645	334	1,2878		
H6	450	1516	390	3551740000053	3551740000074	15,5	1,45	4,1	507	264	1,2746		
	570	1516	510	3551740000014	3551740000098	19,0	1,84	5,1	645	334	1,2878		
H7	450	1516	390	3551740000051	3551740000089	15,5	1,45	4,1	507	264	1,2746		
	570	1516	510	3551740000055	3551740000113	19,0	1,84	5,1	645	334	1,2878		

For output at different Δt than 50°C, please refer to the following formula: desired output = output at Δt 50°C x (desired Δt/50)<sup>n</sup>