



# FUJIKO

POLISHED STAINLESS STEEL

**15 YEARS  
WARRANTY**

**MATERIAL:**

Vertical collectors in polished stainless steel with  $\varnothing$  of 30 mm.  
Horizontal heating elements in polished stainless steel 30x10 mm.

**FIXING KIT:**

Brackets, airvent, hexagonal tool, plugs and screws for mounting suitable for use on compact or hollow brick, user notice.

**PACKAGING:**

The radiator is protected by a recyclable film in polyethylene and with a carton box. User notice included.

**FEATURES:**

It is totally made in stainless steel with an unalterable finishing guaranteed during the years.  
Thermal outputs certified in accredited laboratories in compliance with European norm EN442.

**PRODUCT CERTIFICATES**



Pression maximale de service: 8 bar

Température maximale de service: 110° C

Available for central heating systems

Connexions: n° 2 x 1/2" gaz - n° 1 x 1/2" gaz

**ACCESSORIES**



**Elegant reverse manual polished valve kit**

Copper connection  $\varnothing$  12/14/15  
Art. Nr. 5991990301082

Multilayer connection  $\varnothing$  16  
Art. Nr. 5991990301081



**Elegant square manual polished valve kit**

Copper connection  $\varnothing$  12/14/15  
Art. Nr. 5991990301084

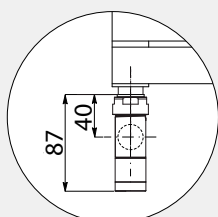
Multilayer connection  $\varnothing$  16  
Art. Nr. 5991990301083



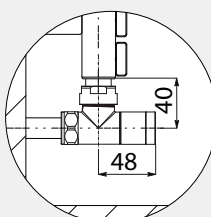
**Elegant corner dx with thermostatic head polished valve kit**

Copper connection  $\varnothing$  12/14/15  
Art. Nr. 5991990301079

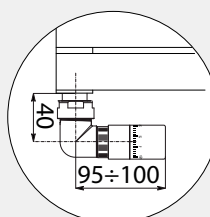
Multilayer connection  $\varnothing$  16  
Art. Nr. 5991990301077



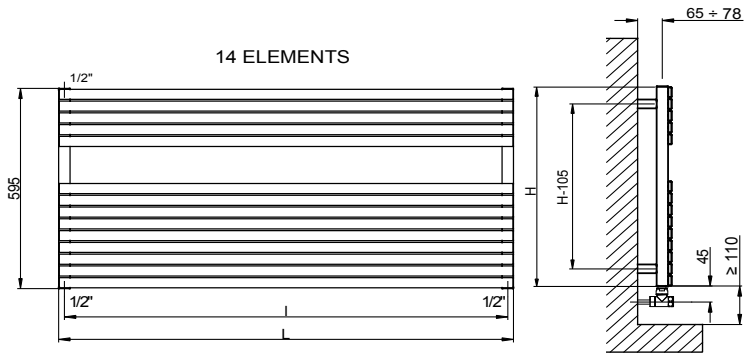
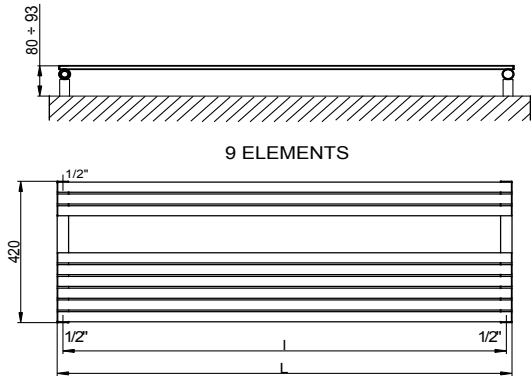
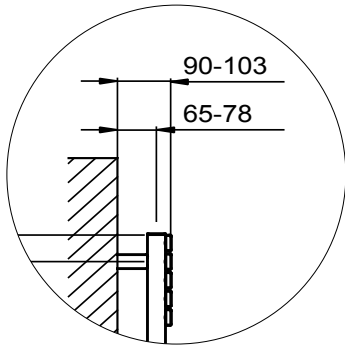
Measures for Elegant reverse manual valve



Measures for valves type Cordivari Elegant Square - Manual



Measures for valves type Cordivari Elegant Corner with thermostatic head



**FUJIKO** POLISHED STAINLESS STEEL

Art. Nr.	Height	Width	Pipe Centres	Dry Weight	Surface	Water Content	Thermal output Watt		Exponent n
	H [mm]	L [mm]	l [mm]	[Kg]	[m <sup>2</sup> ]	[lt]	$\Delta t = 50^{\circ}\text{C}$	$\Delta t = 30^{\circ}\text{C}$	
3551610131001	<b>420</b>	1200	1170	8,5	0,9	2,7	327	176	1,2082
3551610131002		1400	1370	9,8	1	3,1	395	211	1,2275
3551610131003	<b>595</b>	1200	1170	13,1	1,3	4,2	462	255	1,1656
3551610131004		1400	1370	15,1	1,5	4,8	554	302	1,1902

For output at different  $\Delta t$  than  $50^{\circ}\text{C}$ , please refer to the following formula: desired output = output at  $\Delta t 50^{\circ}\text{C}$  x (desired  $\Delta t/50$ )<sup>n</sup>