

TECHNICAL INFORMATION
STANDARD
CONNECTIONS 1/2"

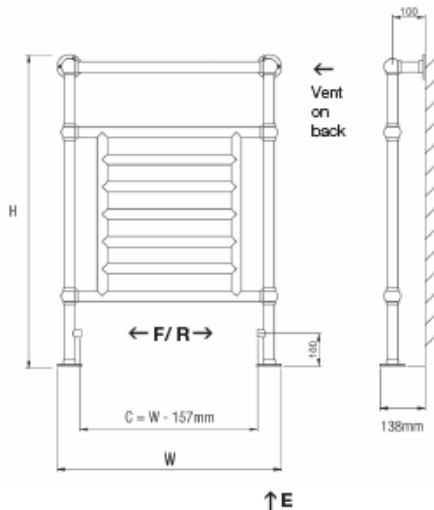
F = Flow

E = Element

R = Return

Position

Tube Diameter = 31.8mm



Cranwich – Floor Mounted