

# SAXON Vertical

- Italian design & manufacture
- Combines low water content with high thermal efficiency
- Standard White RAL 9010 delivered in 48-72 hours
- 25 RAL colours, 8 special finishes, up to 15 working days (page 11)



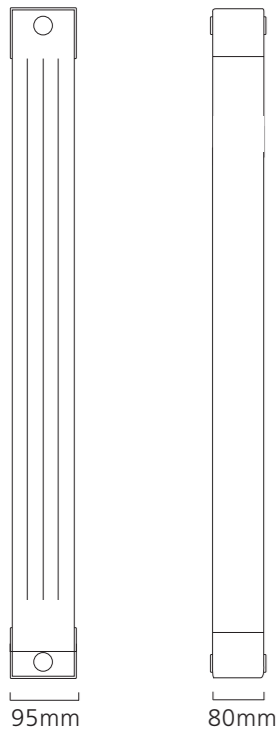
## Sizes and Prices

Height	Dimensions (mm)		Sections	Output Δt 50°C		Product Code
	Width	Depth		Watts	Btu's	
1446	260	95	3	735	2508	SAXO142603V
	340	95	4	980	3344	SAXO143404V
	420	95	5	1225	4180	SAXO144205V
	500	95	6	1470	5016	SAXO145006V
1846	260	95	3	891	3040	SAXO182603V
	340	95	4	1188	4053	SAXO183404V
	420	95	5	1485	5067	SAXO184205V
	500	95	6	1782	6080	SAXO185006V ♦

Please note widths include measurement for bushes.

## Pipe Centres and Technical Drawings

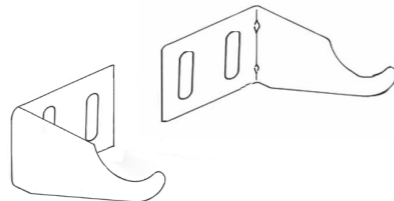
Side Profile      Front Profile



Pipe centres left to right = Width of radiator plus valves  
 Pipe centres from wall = 70mm  
 Depth from wall = 120mm

### Wall Brackets

Each SAXON radiator will be supplied with 2 x left hand and 2 x right hand Brackets.



For a larger range of aluminium please refer to The Radiator Company; [www.theradiatorcompany.co.uk](http://www.theradiatorcompany.co.uk) where we have an extensive range of sizes.



SAXON shown in Gun Metal Grey.

+Valves Prices include Angled Chrome or White KINGSTON TRV's.



Please specify at time of order



SAXON White Hanging Bar (p.79).

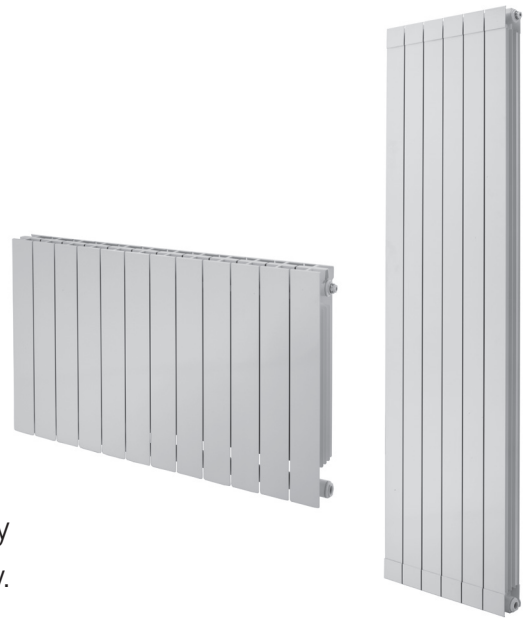


♦ SAXON Vertical 1846mm x 500mm in White RAL 9010 shown with WELLINGTON TRV's.

## SAXON Fitting Instructions

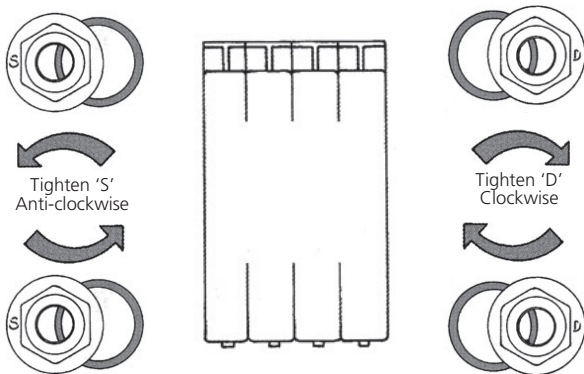
Aluminium Radiator in White  
Horizontal and Vertical

Please read these instructions and terms and conditions carefully prior to installation. Failure to do so may invalidate the warranty.



### Drawings

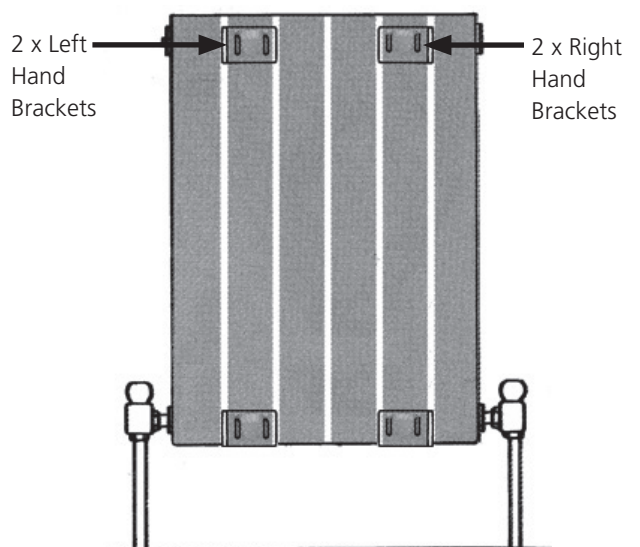
Drawing 1 - Bush Configurations



SAXON radiators have specific left and right hand threaded bushes and these can be easily damaged if forced or incorrectly fitted (this will inevitably cause leaks). **Bushes require a dry fit connection only; you must not use any Compound materials (e.g. Jet Blue) or Plumbers Hemp.** If you choose you may use up to 4 turns of PTFE tape to help seal the threads (the tape should be applied in the direction of the thread and no more than this amount should be used as this may cause leaks to occur)

If looking directly at the front of the radiator, the two bushes with an 'S' cast on them are positioned on the left and turned anti-clockwise. The two bushes cast with a 'D' are positioned on the right and turned clockwise. **Please see Drawing 1**

Drawing 2 - Bracket Positions



### Pipe Centres

Pipe centres left to right	=	width of radiator plus valves
Pipe centres from wall	=	70mm
Depth from wall	=	120mm

# 1. Unpack & Inspect

This product should have reached you in perfect condition. Please carefully unpack and inspect this radiator and all fittings. Your point of purchase must be notified of any shortages or damage within 28 days of delivery. For further information please see terms and conditions on reverse.

# 2. Contents

You should have:

- 1 Radiator
- 4 Wall Brackets
- 1 Manual Airvent
- 4 Bushes with Gaskets
- 1 Blanking Plug
- 1 Diverter (for 1400mm vertical models only)

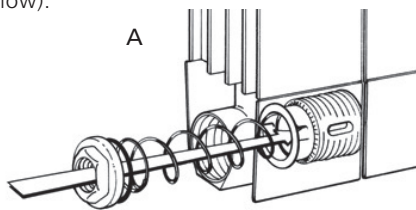
You will need:

- Tape measure
- Electric drill and bits
- Spirit level
- Bush spanner

# 3. Fit Diverter

Aluminium radiators which are 1400mm tall are supplied with a Spring Diverter, which is installed in the lower waterway at either end.

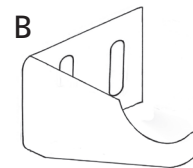
This is installed by pushing the cap firmly in the waterway until it locates against the barell nipple and is retained in place by the bush. The flow must enter this end first (please see drawing A below).



# 4. Fix Brackets

You will have been supplied with at least four brackets (see drawing 1 on other page and drawing B below). The brackets are typically positioned one section in from either end with extra brackets spaced at equal distances between these two (see drawing 2 on the other page).

Brackets should be fixed using suitable drill bit, screws and plugs.



**PLEASE NOTE:**

It is essential that all brackets are level and square prior to hanging the radiator to ensure a vertical alignment for connecting the pipework.

Mark and fix the 2 top brackets checking they are level. Hang radiator in position and mark the location of the 2 bottom brackets and fix in place.

# 5. Hang & Commission Radiator

With the brackets firmly fixed and level, the radiator is lowered directly onto the brackets. When commissioning your radiator on an indirect/closed system we recommend using a suitable quality and quantity of mixed metal inhibitor to protect against scale & corrosion.

**Damage caused to systems not protected by a suitable inhibitor will not be covered by manufacturer's guarantee.**

# Technical Specifications

<b>Materials</b>	Aluminium.
<b>Connections</b>	½" flow and return.
<b>Test pressure</b>	9 Bar
<b>Testing authority</b>	EN442
<b>Maximum operating pressure</b>	6 Bar
<b>Maximum working temperature</b>	110°C
<b>Packaging</b>	Wrapped in polythene & boxed.

**PLEASE NOTE:** To reduce the possibility of noise caused by rapid heating and cooling of aluminium radiators; adequate capacity for expansion must be provided within the overall heating system. Systems using micro bore pipework must have adequate pressure and flow rates for the number and style of radiators on the system.

# Guarantees & Liabilities

This product is guaranteed for 10 years. As we are not the manufacturers of this product we will take all reasonable endeavours to make over to you the benefit of any warranty or guarantee given by the manufacturer.

The guarantees in all cases are subject to the products being installed in accordance with British and or European standards as well as these fitting instructions. The guarantees in all cases are restricted to the free of charge replacement or repair of the failed product only. Our liability will under no circumstances extend beyond the repair or replacement of the product supplied by us. Claims for either labour in replacement or damage to property are not admissible. Any goods that are returned, in the event of a problem, will belong to us.

# Terms & Conditions

All products must be inspected once removed from the packaging and your point of purchase notified within 28 days of delivery of any scratches, blemishes or other damage. Your point of purchase will then agree appropriate action. Imperfect radiators should therefore not be fitted and we will not accept responsibility for replacement of scratched or damaged radiators once they have been fitted. This includes any consequential loss or cost of fitting.

If we are not notified within 28 days of the date on the signed delivery note then it will be deemed that we have fully complied with our obligations and claims will not be considered.

Failure to comply with any of the above may invalidate any claims. We recommend that after you check the product on delivery that it is stored in its packaging to prevent damage prior to installation, we cannot accept responsibility for items damaged after delivery.

For full details of our Terms and Conditions please visit [www.supplies4heat.co.uk](http://www.supplies4heat.co.uk) or call us on 01342 306880.