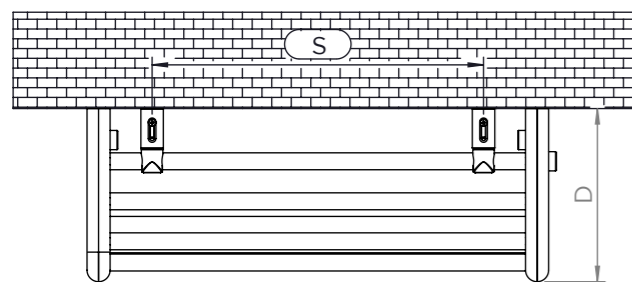
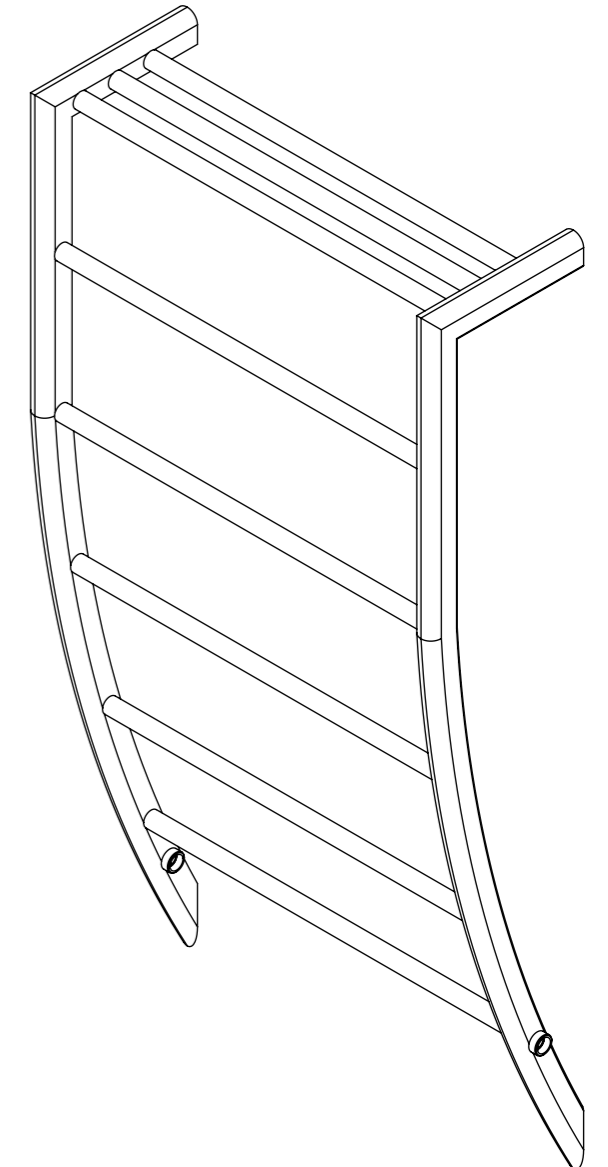
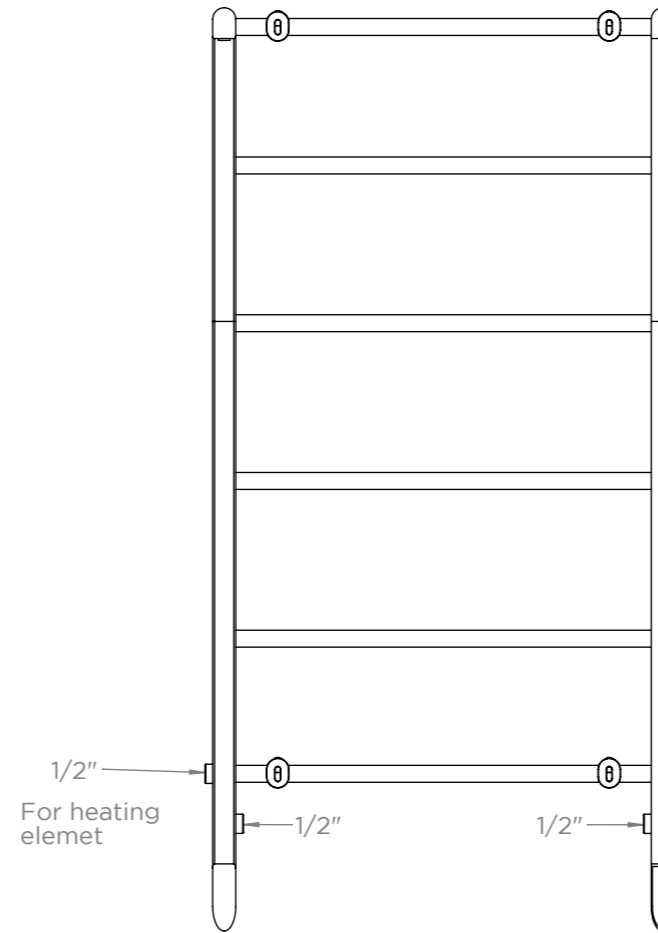
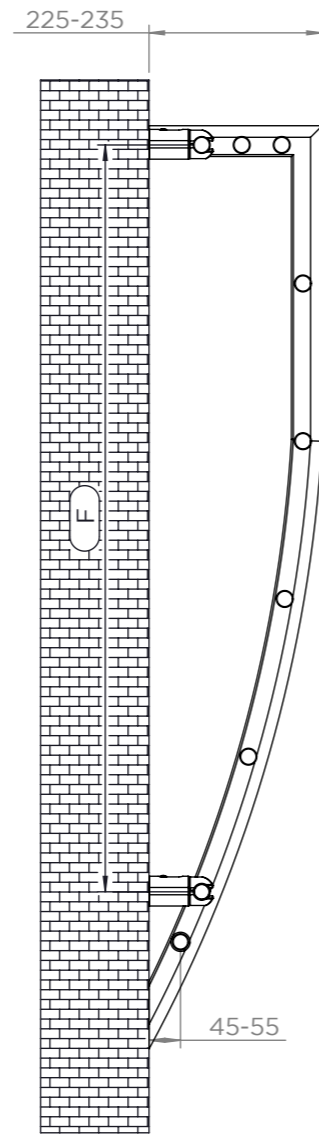
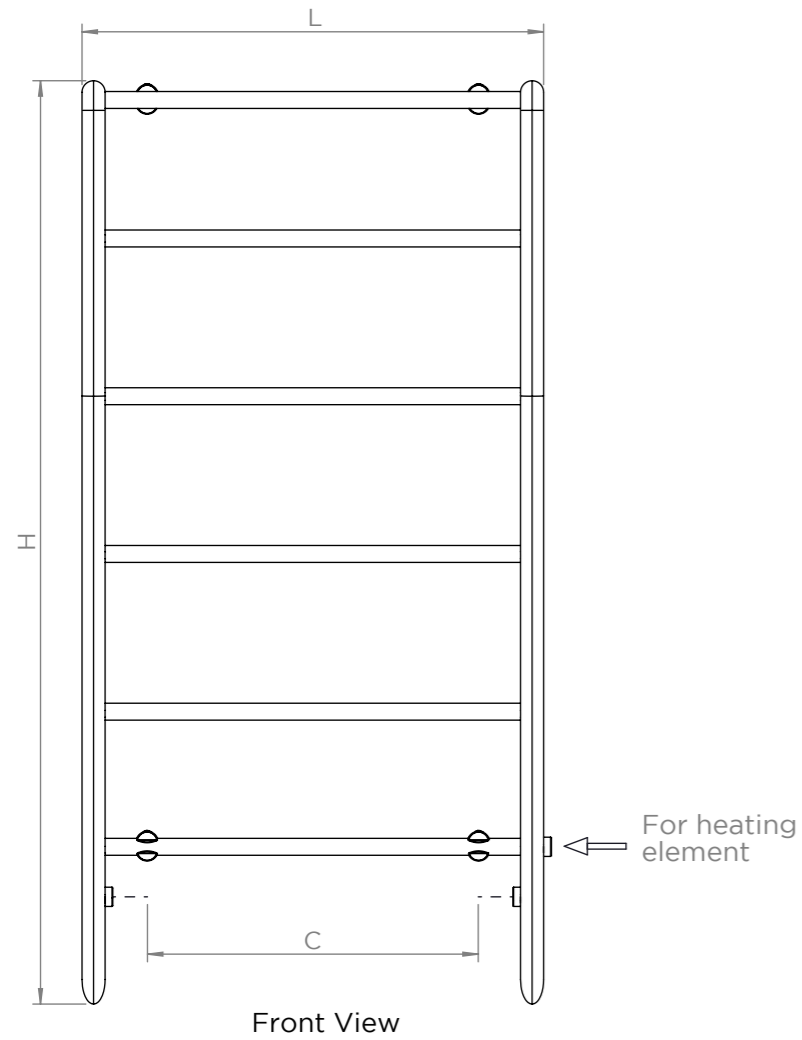
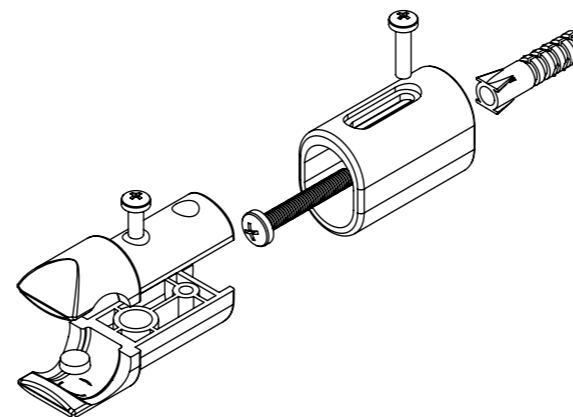
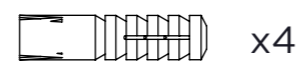
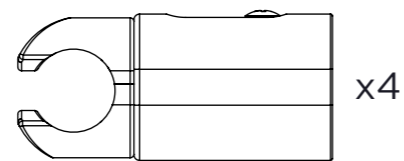


ALL MEASUREMENTS ARE IN MILLIMETRES MANUFACTURED FROM MILD STEEL

## POR5P12, PO6P12

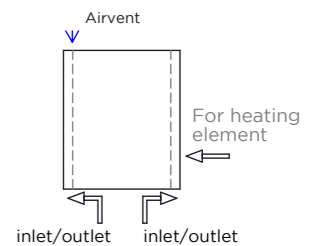


### Installation Accessories:



### Plumbing Position: Vertical Mount

All Dimensions are in mm  
 Max. Working Pressure: 10 Bar  
 Max. Working Temperature: 95° C  
 Inlet / Outlet : 1/2" BSP  
 Fuel Type: E/H/D



PRODUCT CODE	HEIGHT (H) mm	LENGTH (L) mm	DEPTH (D) mm	PIPE CENTRES (C) mm	BRACKET CENTRES	
					F mm	S mm
POR5P12	1200	500	225	330	970	330
POR6P12	1200	600	225	430	970	430