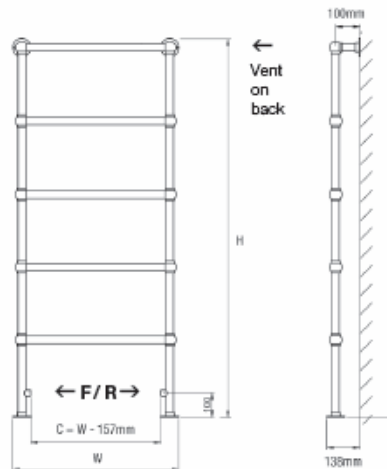


TECHNICAL INFORMATION
STANDARD
CONNECTIONS 1/2"

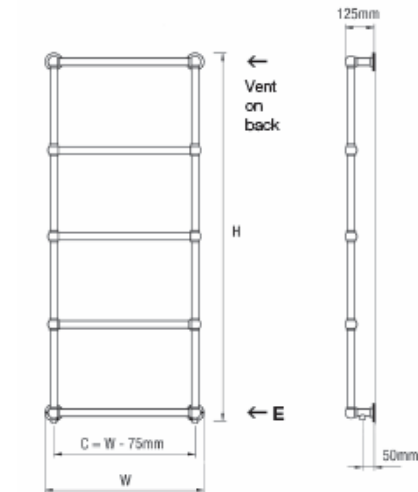
F = Flow **E** = Element
R = Return Position

Tube Diameter = 31.8mm



↑ E

Elveden – Floor Mounted



F/R ↑

↑ F/R

Elveden – Wall Mounted