

# Gallant MD040-SS 900x500

Height: 900

Width: 500

Depth: 97

Weight HO: 9.5 kg

EO: 13.5 kg

Tube  $\phi$  : 30sq + 20x40

Pipe Centres: 440

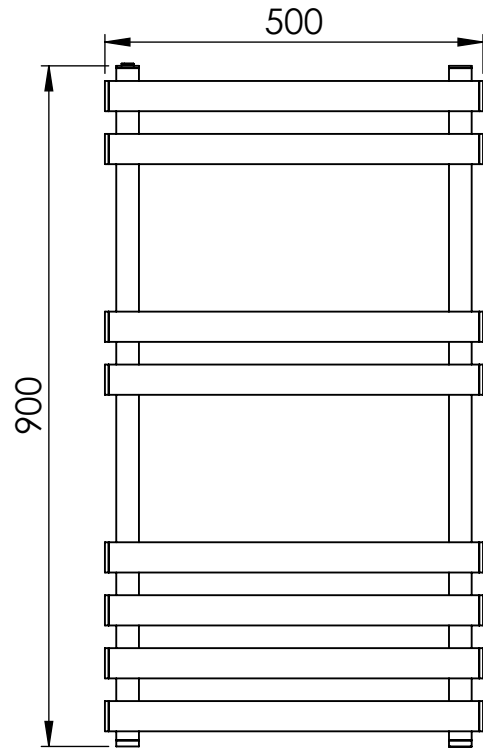
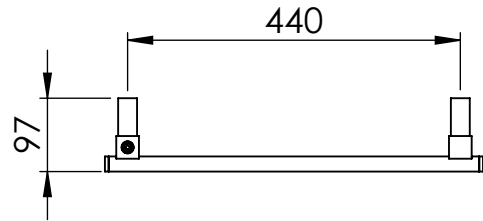
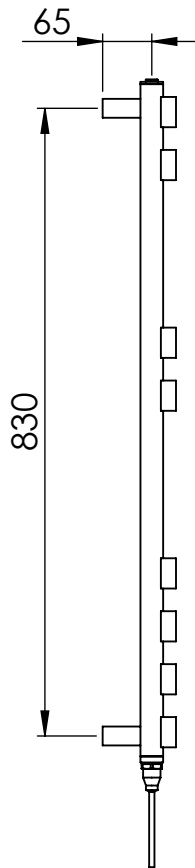
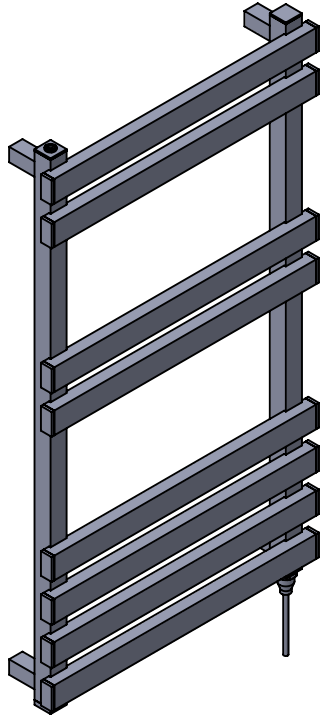
Elec. element if specified: 200

Output @ 50° C  $\Delta$  T Watts: 458

BTUs: 1563

All dimensions in millimetres

Manufactured from 1.4301/X5CrNi18-10 stainless steel



position of element  
if specified dual  
energy\*/ electric

\*Dual energy models require a conversion-tee, consult relevant drawing for details.

Vogue UK Ltd. reserve the right to alter specifications without prior notice.  
ALL MEASUREMENTS ARE NOMINAL DIMENSIONS ONLY, AND ARE NOT BINDING.



**SCALE 1:10**



**VOGUE UK**

TOWEL WARMERS & RADIATORS

Strawberry Lane, Willenhall  
West Midlands WV13 3RS  
Tel: 01902 387000 Fax: 01902 387001  
e-mail:sales@vogueuk.co.uk www.vogueuk.co.uk

# Gallant MD040-SS 1200x500

Height: 1200

Width: 500

Depth: 97

Weight HO: 11.5 kg

EO: 15.5 kg

Tube  $\phi$  : 30sq + 20x40

Pipe Centres: 440

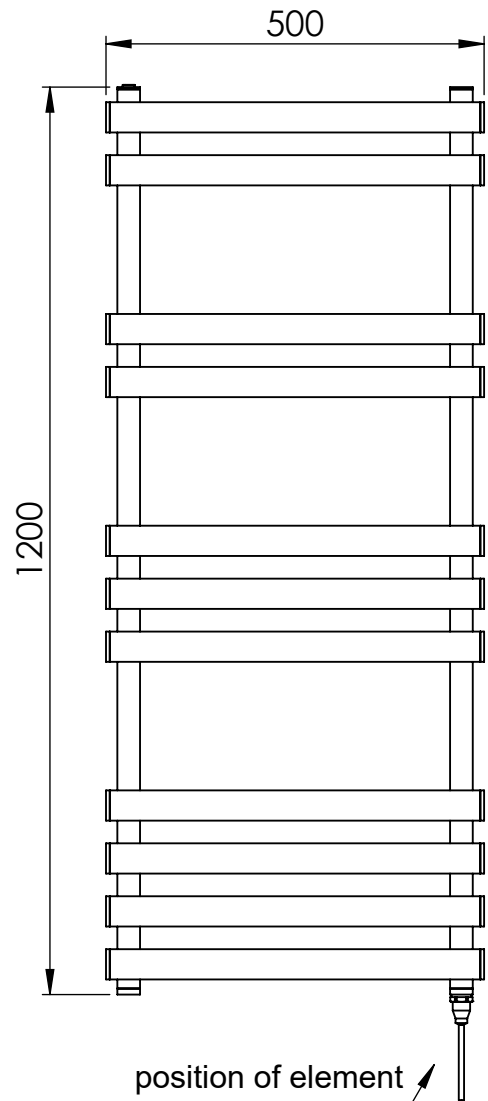
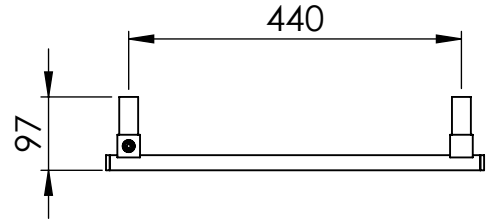
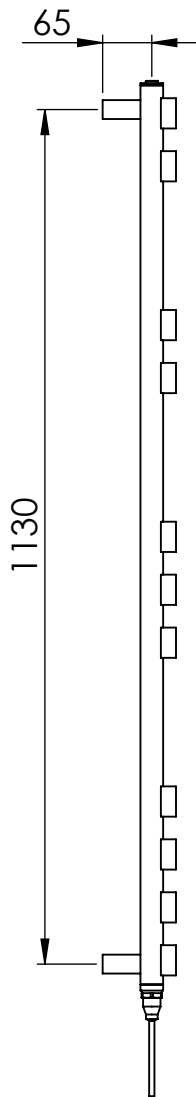
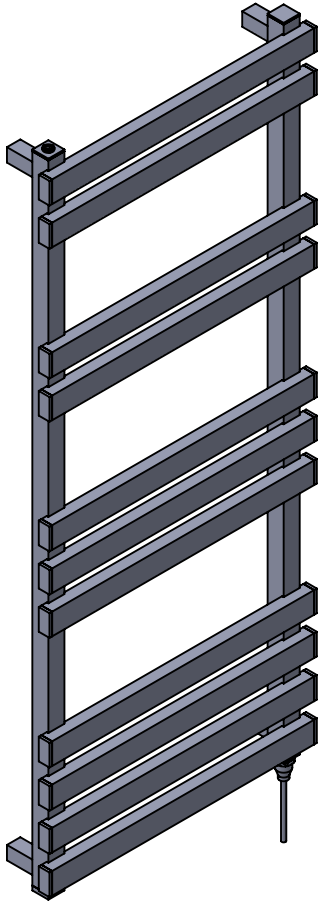
Elec. element if specified: 300

Output @ 50° C  $\Delta$  T Watts: 624

BTUs: 2129

All dimensions in millimetres

Manufactured from 1.4301/X5CrNi18-10 stainless steel



\*Dual energy models require a conversion-tee, consult relevant drawing for details.

Vogue UK Ltd. reserve the right to alter specifications without prior notice.  
ALL MEASUREMENTS ARE NOMINAL DIMENSIONS ONLY, AND ARE NOT BINDING.



**SCALE 1:10**



**VOGUE UK**  
TOWEL WARMERS & RADIATORS

Strawberry Lane, Willenhall  
West Midlands WV13 3RS  
Tel: 01902 387000 Fax: 01902 387001  
e-mail: sales@vogueuk.co.uk www.vogueuk.co.uk