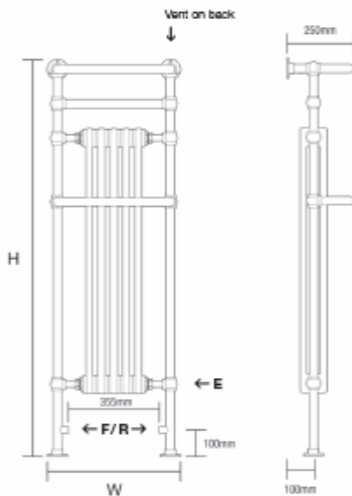


**TECHNICAL INFORMATION
STANDARD
CONNECTIONS 1/2"**

F = Flow R = Return
E = Element position

Tube Diameter = 31.8mm



Lamourne