

PAXTON

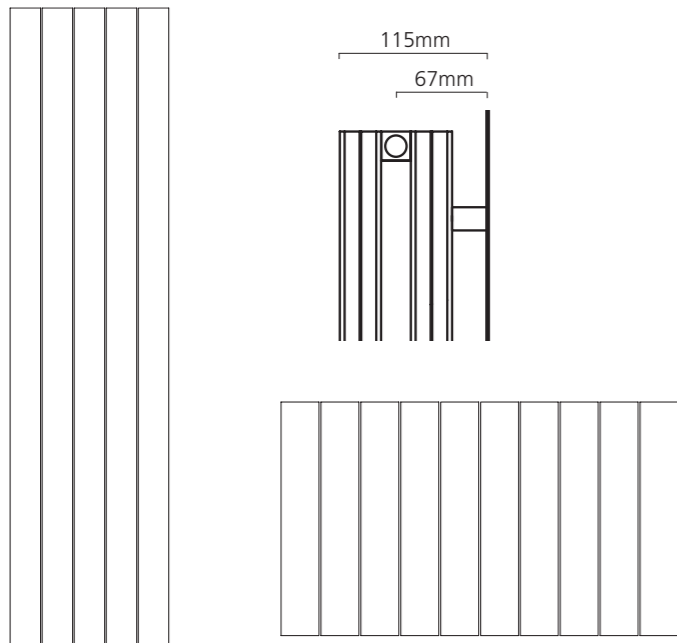
- Italian design & manufacture, horizontal & vertical models
- Combines low water content with high thermal efficiency
- Standard Textured Matt White RAL 9016 delivered in 48-72 hours
- 25 RAL colours, 8 special finishes, up to 15 working days (page 11)



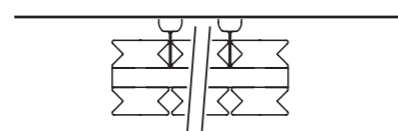
Sizes and Prices

| Dimensions (mm) | | Elements | Output Δt 50°C | | Product Code |
|-------------------|-------|----------|----------------|-------|---------------|
| Height | Width | | Watts | Btu's | |
| Horizontal | | | | | |
| 526 | 790 | 10 | 1050 | 3583 | PAXT527910H |
| | 948 | 12 | 1260 | 4299 | PAXT529412H |
| | 1106 | 14 | 1470 | 5016 | PAXT521114H |
| | 1264 | 16 | 1680 | 5732 | PAXT521216H |
| | 1422 | 18 | 1890 | 6449 | PAXT521418H |
| 626 | 790 | 10 | 1222 | 4169 | PAXT627910H |
| | 948 | 12 | 1466 | 5002 | PAXT629412H |
| | 1106 | 14 | 1711 | 5838 | PAXT621114H |
| | 1264 | 16 | 1955 | 6670 | PAXT621216H |
| | 1422 | 18 | 2200 | 7506 | PAXT621418H |
| Vertical | | | | | |
| 1826 | 316 | 4 | 1206 | 4115 | PAXT183104V |
| | 395 | 5 | 1507 | 5142 | PAXT183905V ♦ |
| | 474 | 6 | 1808 | 6169 | PAXT184706V |
| | 553 | 7 | 2110 | 7199 | PAXT185507V |

Pipe Centres and Technical Drawings



Top view



Pipe centres left to right = Width - 10mm plus valves
 Pipe centres from wall = 67mm
 Depth from wall = 115mm

+Valves Prices include Angled Chrome or White KINGSTON TRV's

Please specify at time of order



Horizontal in Graphex

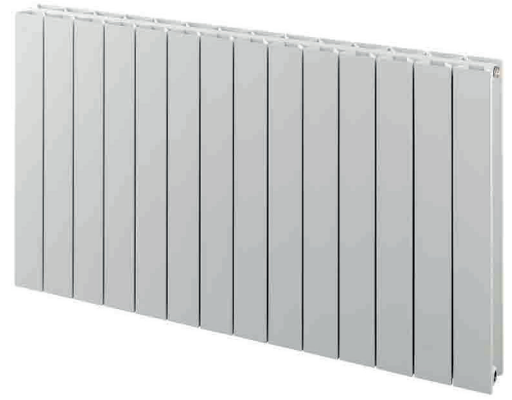


PAXTON in Matt White



♦ PAXTON Vertical 1826mm x 395mm shown in RAL 9016 with KINGSTON TRV's.

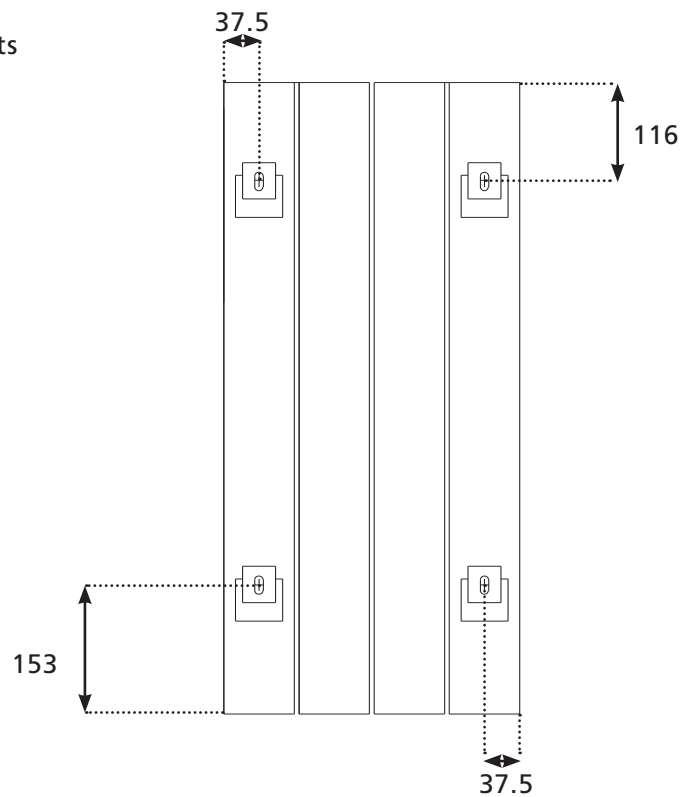
PAXTON Fitting Instructions



Please read these instructions and terms and conditions carefully prior to installation. Failure to do so may invalidate the warranty.

Drawings

Fixing Positions for Brackets



Pipe Centres

| | | |
|----------------------------|---|------------------------------|
| Pipe centres left to right | = | width minus 10mm plus valves |
| Pipe centres from wall | = | 67mm |
| Depth from wall | = | 115mm |

1. Unpack & Inspect

This product should have reached you in perfect condition. Please carefully unpack and inspect this radiator and all fittings. Your point of purchase must be notified of any shortages or damage within 28 days of delivery. For further information please see terms and conditions on reverse.

2. Contents

You should have:

- 1 Radiator
- 4 Brackets with plastic saddles
- 1 Airvent
- **1 Rubber Diverter**
(radiators over 1m high)
- 3 Blanking plugs

You will need:

- Tape measure
- Electric drill and bits
- Spirit level
- Airvent key
- Appropriate wall fixings
- Flat blade screwdriver
- Spanner for valves & vents

3. Installing radiator

Refer to diagrams overleaf when installing

1. Place radiator on floor leaning up against wall in desired position.
2. Mark Position of both sides of radiator
3. Measure inwards of your marks 37.5mm, this will give vertical lines for mounting brackets.
4. Mark desired height of the top of the radiator & the bottom of the radiator.
5. Mount bracket backing plates 116mm down from the top and 153mm up from the bottom of radiator as per diagram overleaf
6. Ensure the plastic saddles are inserted on the brackets
7. Hang the radiator

4. Fitting the diverter

Please note a rubber diverter is only required on radiators over 1 meter high (please refer to drawings and instructions opposite).

4. Fitting the diverter (continued)

Fig 4.a

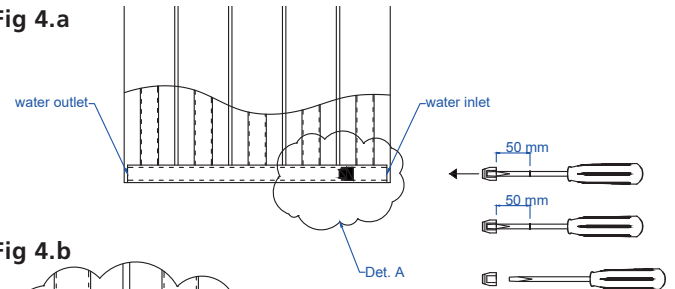
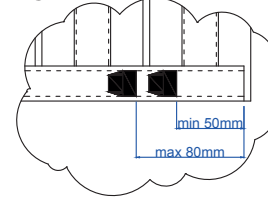


Fig 4.b



1. Take a flat blade screwdriver.
2. Insert it into the hole of the diverter and mark the specified dimension as per (Fig 4.a)
3. Insert the diverter from the side of the water inlet, passing the first element (Fig 4.b)

5. Commission Radiator

Please Note: In accordance with Part L1 2006 of the Building Regulations and BS7593:1992 code of practice for the treatment of hot water and central heating systems, we strongly recommend flushing the heating system post installation of new radiators and then adding the correct quantity and type of inhibitor for use with your radiator and system to prevent corrosion. Damage caused to systems not protected by a suitable inhibitor will not be covered by manufacturer's guarantee.

Technical Specifications

| | |
|------------------------------------|---|
| Materials | Aluminium |
| Connections | ½" flow and return. |
| Test pressure | 9 Bar |
| Testing authority | EN442 |
| Maximum operating pressure | 6 Bar |
| Maximum working temperature | 90 °C |
| Packaging | Polystyrene protection in cardboard box |

PLEASE NOTE: To reduce the possibility of noise caused by rapid heating and cooling of aluminium radiators; adequate capacity for expansion must be provided within the overall heating system. Systems using micro bore pipework must have adequate pressure and flow rates for the number and style of radiators on the system.

Guarantees & Liabilities

This product is guaranteed for 5 years. As we are not the manufacturers of this product we will take all reasonable endeavours to make over to you the benefit of any warranty or guarantee given by the manufacturer.

The guarantees in all cases are subject to the products being installed in accordance with British and or European standards as well as these fitting instructions. The guarantees in all cases are restricted to the free of charge replacement or repair of the failed product only. Our liability will under no circumstances extend beyond the repair or replacement of the product supplied by us. Claims for either labour in replacement or damage to property are not admissible. Any goods that are returned, in the event of a problem, will belong to us.

Terms & Conditions

All products must be inspected once removed from the packaging and your point of purchase notified within 28 days of delivery of any scratches, blemishes or other damage. Your point of purchase will then agree appropriate action.

Imperfect radiators should therefore not be fitted and we will not accept responsibility for replacement of scratched or damaged radiators once they have been fitted. This includes any consequential loss or cost of fitting.

If we are not notified within 28 days of the date on the signed delivery note then it will be deemed that we have fully complied with our obligations and claims will not be considered.

Failure to comply with any of the above may invalidate any claims. We recommend that after you check the product on delivery that it is stored in its packaging to prevent damage prior to installation, we cannot accept responsibility for items damaged after delivery.

For full details of our Terms and Conditions please visit www.supplies4heat.co.uk or call us on 01342 306880.