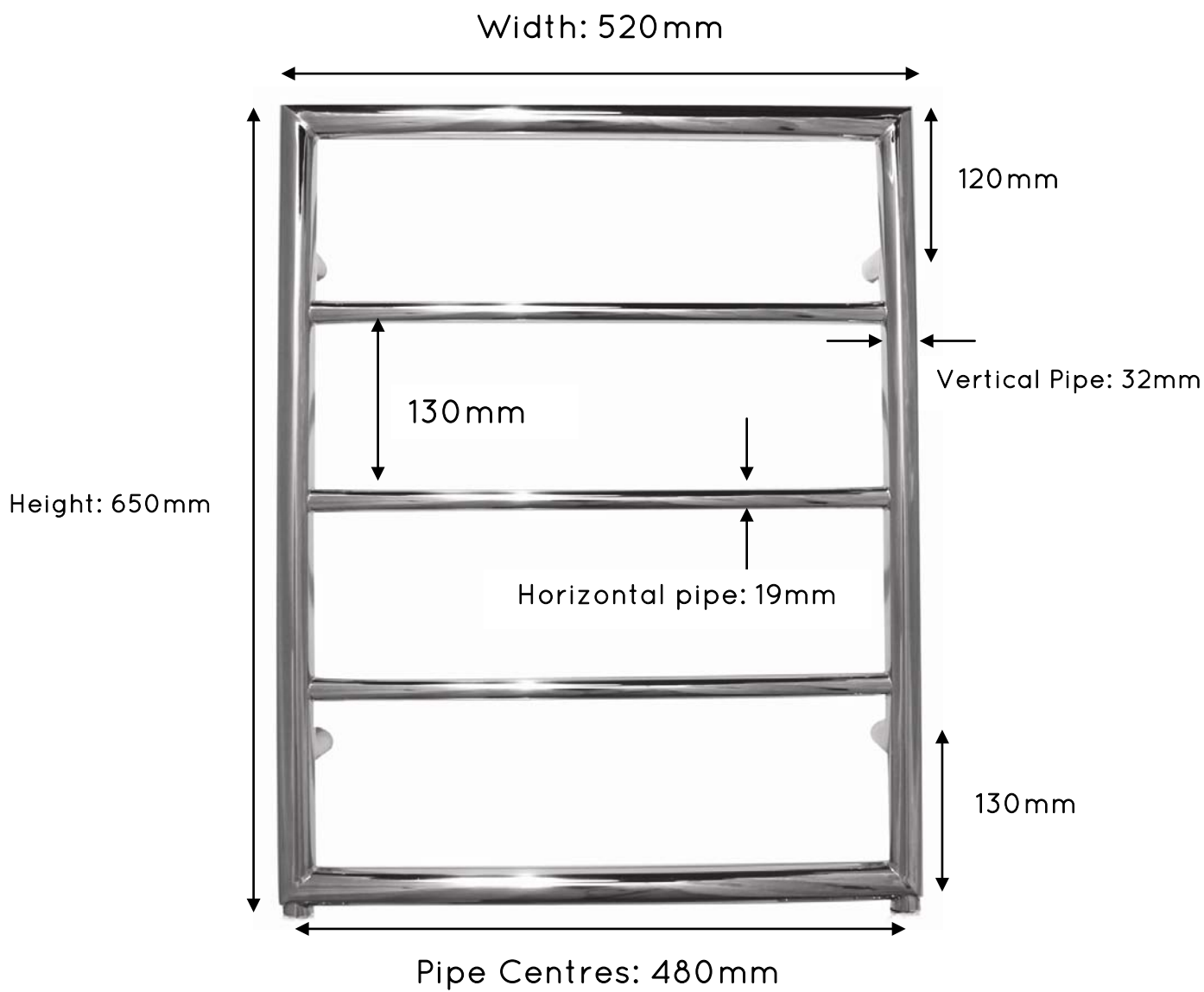


JIS EUROPE
100% STAINLESS STEEL

— EST 1997 —

HEATED TOWEL RAILS

Alfriston 650mm x 520mm



Overall Projection: 117mm*

Pipe Centres from the Wall: 102mm*

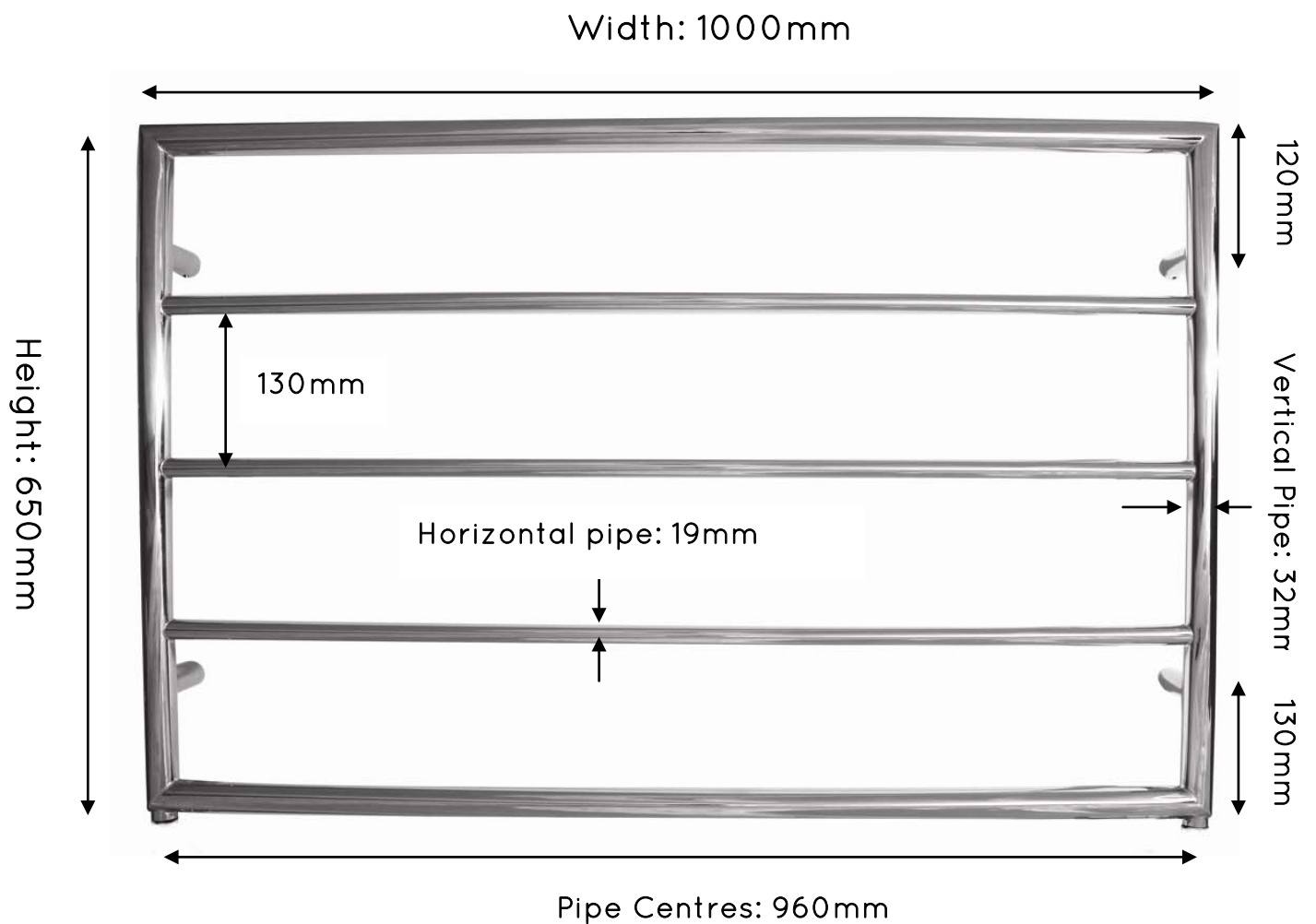
*When using short brackets, projection and pipe centres from wall will be reduced by 25mm.

JIS EUROPE
100% STAINLESS STEEL

— EST 1997 —

HEATED TOWEL RAILS

Alfriston 650mm x 1000mm



Overall Projection: 117mm*

Pipe Centres from the Wall: 102mm*

*When using short brackets, projection and pipe centres from wall will be reduced by 25mm.

JIS EUROPE
100% STAINLESS STEEL

EST 1997

HEATED TOWEL RAILS

Alfriston 1260mm x 520mm



Overall Projection: 117mm*

Pipe Centres from the Wall: 102mm*

*When using short brackets, projection and pipe centres from wall will be reduced by 25mm.