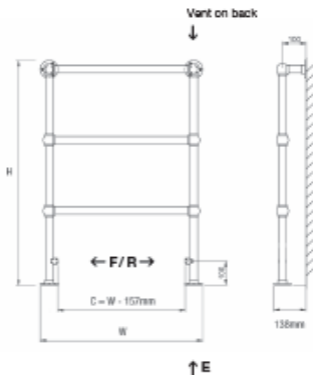


**TECHNICAL INFORMATION
STANDARD
CONNECTIONS 1/2"**

**F = Flow E = Element
R = Return Position**

Tube Diameter = 31.8mm



Ickburgh – Floor Mounted