

All dimensions shown are in millimetres

All stainless steel construction: **30x30x1.2mm square headers**  
**dia 18mm x 1.2mm round tubes**

Connections: **1.2m long flying lead (3 core)**

Immersion heater rating: **IPX4 or better**

Model	Output Watts	Weight kg	Height ± 2mm	Length ± 2mm	Fixing Centres ± 5mm
OLGE-90-30/F	100	5.2	900	300	270
OLGE-90-50/F	100	6.3	900	480	450
OLGE-120-50/F	150	8.0	1200	480	450
OLGE-120-65/F	200	10.0	1200	630	600
OLGE-155-50/F	250	10.7	1575	480	450

This product has been manufactured in accordance with our stringent quality requirements to give you total satisfaction. To get the most out of your radiator we advise you to read these instructions carefully and keep them to hand.

## WARNINGS



**CAUTION (TOWEL DRYER):** to avoid any danger to very young children, you are advised to install this appliance so that the lowest heating bar is at least 600mm off the floor.



**CAUTION (RADIATOR):** to avoid overheating, do not cover the appliance.



Do not sit on the heating appliance.



Caution, hot surface.

**Caution** - some parts of this product can become very hot and cause burns. Particular attention has to be given where children and vulnerable people are present.

Children of less than 3 years should be kept away unless continuously supervised.

Children aged from 3 years and less than 8 years shall only switch on/off the appliance provided that it has been placed or installed in its intended normal operating position and they have been given supervision or instruction concerning the use of the appliance in a safe way and understanding the hazards involved. Children aged from 3 years and less than 8 years shall not plug in, regulate and clean the appliance or perform user maintenance.

This appliance can be used by children aged from 8 years and above and persons with reduced physical, sensory or mental capabilities or lack of experience and knowledge if they have been given supervision or instruction concerning use of the appliance in a safe way and understand the hazards involved. Children shall not play with the appliance. Cleaning and user maintenance shall not be made by children without supervision.

This appliance should be connected, according to rules and standards in application, only by an authorized person.

A towel radiator must be used for the purpose for which it is intended and not as a table, chair, toy, ladder, etc.

It is protected from ingress of water and can be installed within zone 1 (bath and shower) for IPx5 or zone 1 (bath) and zone 2 (shower) for IPx4 (see section 2.1) as long as the electrical controls are out of reach of anyone using the bath or shower.

The electricity supply must be protected by a residual current device with a maximum of 30mA, especially when installed in a room containing a bathtub or shower.

**WARNING:** This heater is not equipped with a device to control the room temperature. Do not use this heater in small rooms when they are occupied by persons not capable of leaving the room on their own, unless constant supervision is provided.

**WARNING:** This appliance is intended only for drying textiles washed in water.

**IMPORTANT:** If the power cable is damaged, for safety reasons it must be replaced by the manufacturer, the manufacturer's after-sales service department or a similarly qualified person.

**IMPORTANT:** The heating appliance must not be placed underneath a power outlet.

**IMPORTANT:** This appliance is not intended for use at altitudes exceeding 2000 m.

## OVERVIEW OF YOUR ELECTRICAL RADIATOR

This heating appliance is filled with a precise quantity of liquid. Any repair work requiring the product to be opened should only be carried out by the manufacturer or their after-sales service department, which should also be contacted in the event of a leak. When disposing of the heating appliance, comply with the local regulations.

This electrical appliance with circulating fluid is delivered ready to use. It is plugged and filled with fluid before leaving the factory. This fluid requires no maintenance.

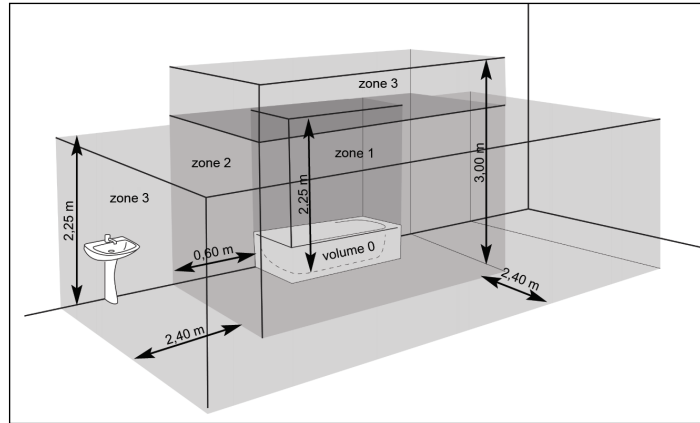
As soon as the appliance is switched on, you will notice certain differences compared to a standard electric heating system:

- the electric heating element heats the fluid, which gradually and naturally starts circulating in your appliance.
- the properties of the fluid are such that it takes approximately ten minutes for the radiator to reach its optimum surface temperature depending on the model and the room temperature when the appliance is switched on.
- this principle also ensures consistent and sustained heating even when the element is no longer powered.

The flexible cable supplied with your appliance is designed to be connected to the mains via a junction box that must be placed behind the appliance.

In a kitchen or bathroom, the junction box must be positioned at least 25cm from the floor.

The appliance must be installed as described in this document and in accordance with the applicable European and local standards as well as the rules of good professional practice.

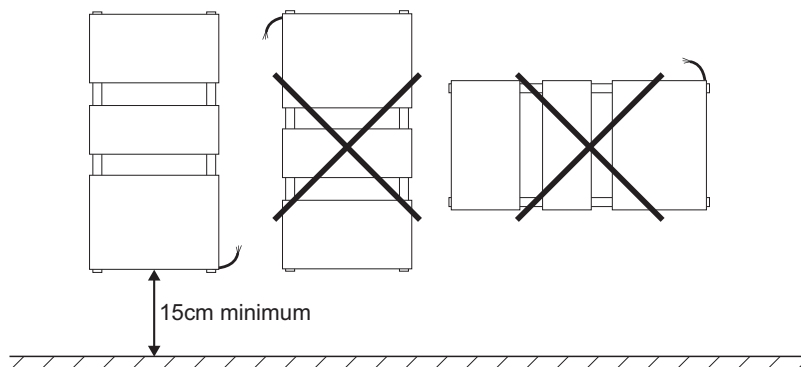
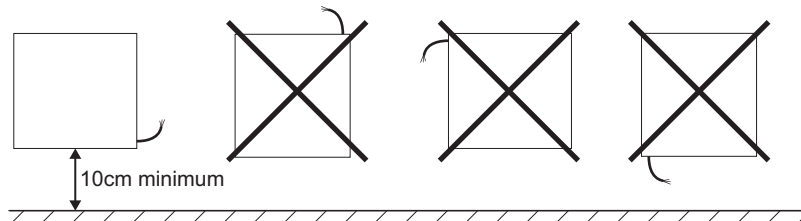


**IMPORTANT:** The example shown only concerns a bathtub. For other bathroom fixtures please consult your installer.

**IMPORTANT:** The system must be fitted with an omni-polar circuit-breaker with a minimum contact opening of 3mm.

To ensure your system is safe:

- ensure that an area of at least 50cm in front of the appliance is clear of objects which might hinder air circulation (furniture, chairs etc.);
- position a shelf at least 10cm above the top of your radiator;
- use mounting screws suitable for your wall.



**NOTE:** Electric towel radiators are designed to be covered safely. However, to ensure that your appliance works efficiently, you are advised not to cover it completely. Doing so will increase the temperature and cause the internal cutout to turn off the appliance.



**CAUTION**

Always turn off the electricity supply (circuit-braker or remove the fuse before making any connections

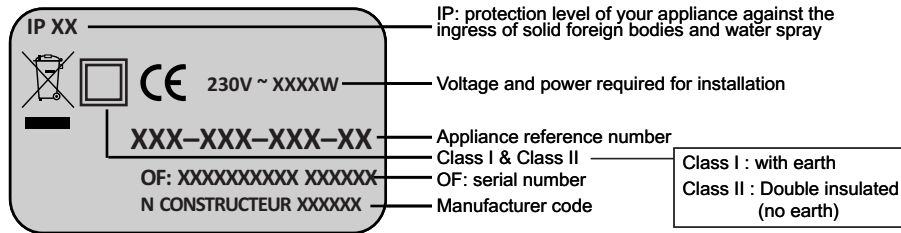
**POSITIONING YOUR APPLIANCE**

To get the most out of your appliance and enjoy the highest standards of comfort, we recommend that you install the appliance near places with high heat loss (windows, doors, etc.) wherever possible.

You will find a complete set of assembly instructions in your appliance's box.

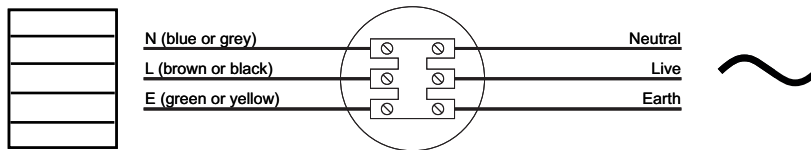
**CONNECTING THE APPLIANCE**

The technical specifications of your radiator are shown on its nameplate. Please note these down before installing it and before requesting any after-sales assistance.



When connecting the appliance to the mains, you must observe:

- the voltage indicated on the nameplate;
- conventional wire colour coding:
  - blue or grey - neutral
  - brown or black - live
  - green or yellow - earth



**ROUTINE MAINTENANCE OPERATIONS**

Before carrying out any maintenance operation on your appliance, ensure that it is switched off.

High-quality materials and surface treatment protect your radiator.

To maximise the service life of your radiator we recommend you take the following precautions:

- to make the most of the performance of radiators containing a heat transfer fluid, it is advisable to check after five or six years of operation the quality of the fluid and replace it if necessary.
- never use abrasive or corrosive products on the outer surfaces of the appliance (except the electrical parts); use warm, soapy water.
- use a soft, dry cloth without any solvents to clean the control box.

**TROUBLESHOOTING**

Should your radiator fail to function, check that your radiator is properly connected to an appropriate power supply.

If your radiator is connected to a master device, timer or programming unit, please refer to the manufacturer's instructions.

Nonetheless, should you fail to solve the problem encountered, please contact your supplier's after-sales service for assistance.

## AFTER-SALES SERVICE

If your appliance stops working or you require spare parts, contact your installer or dealer.

Prior to making contact and to ensure your problem is dealt with quickly and effectively, please make a note of:

- the details shown on the appliance's nameplate;
- the sales reference for your appliance shown on your dated purchase invoice.

## GUARANTEE

*(See general conditions of sale for your country)*

The heating body of your electric radiator is guaranteed against manufacturing defects for five (5) years from the date of purchase, while the other components are guaranteed for two (2) years.

It complies with the EMC Directive: 2004/108/EC regarding electromagnetic compatibility of equipment, with Low Voltage directive: 2006/95/EC regarding electrical equipment designed for use within certain voltage limits and with European standards EN 60.335.1, EN 60.335.2.43 and EN 60.335.2.30 and subsequent amendments.

Dated proof of purchase must be presented to activate the guarantee. The guarantee does not cover radiator transport, removal and installation costs.

The guarantee shall not apply if the appliance is installed, used or maintained in a way that does not comply with standards in force in the relevant country, good professional practice or the manufacturer's instructions.

## ENVIRONMENTAL REGULATIONS

RoHS: complies with Directive 2011/65/EU

WEEE: complies with Directive 2002/96/EC



Disposal of end-of-life electrical and electronic appliances. This symbol indicates that this product should not be disposed of with household waste. It must be taken to a suitable collection point to be recycled. By disposing of this product correctly, you will help prevent potential negative consequences for the environmental and human health.

## Tools & Material Required

Screwdriver - crosshead  
 Pliers  
 Electric drill  
 Masonry drill bit - 10mm dia  
 Spirit level  
 Stepladder (for taller radiators)

Key	Component	Qty
A	Wall Plug	4
B	Bracket	4
C	Screw - Crosshead, 6.3mm dia x 60mm	4
D	Grub Screw	4
E	Allen Key	1

## Assembly Instructions

Accurately mark out bracket holes on wall using spirit level.  
 Drill four 10mm dia holes to a minimum depth of 70mm & insert wall plugs (A).  
 Screw brackets (B) into wall plugs (A) with 6.3mm diameter x 60mm screws (C).  
 Offer radiator up to wall and slide square posts on the rear of the radiator into brackets (B).  
 Secure radiator in position by tightening grub screw (D) with Allen key (E).

Electric radiators should be fitted only by a qualified electrician and must be earthed and connected to a cable outlet in the bathroom in accordance with I.E.E. wiring regulations. The electrical connection should be made to a '5 amp fused fixed spur' located outside the bathroom.

*Note: for maintenance purposes, cable outlets must remain accessible and cables must not be buried directly into walls.*

