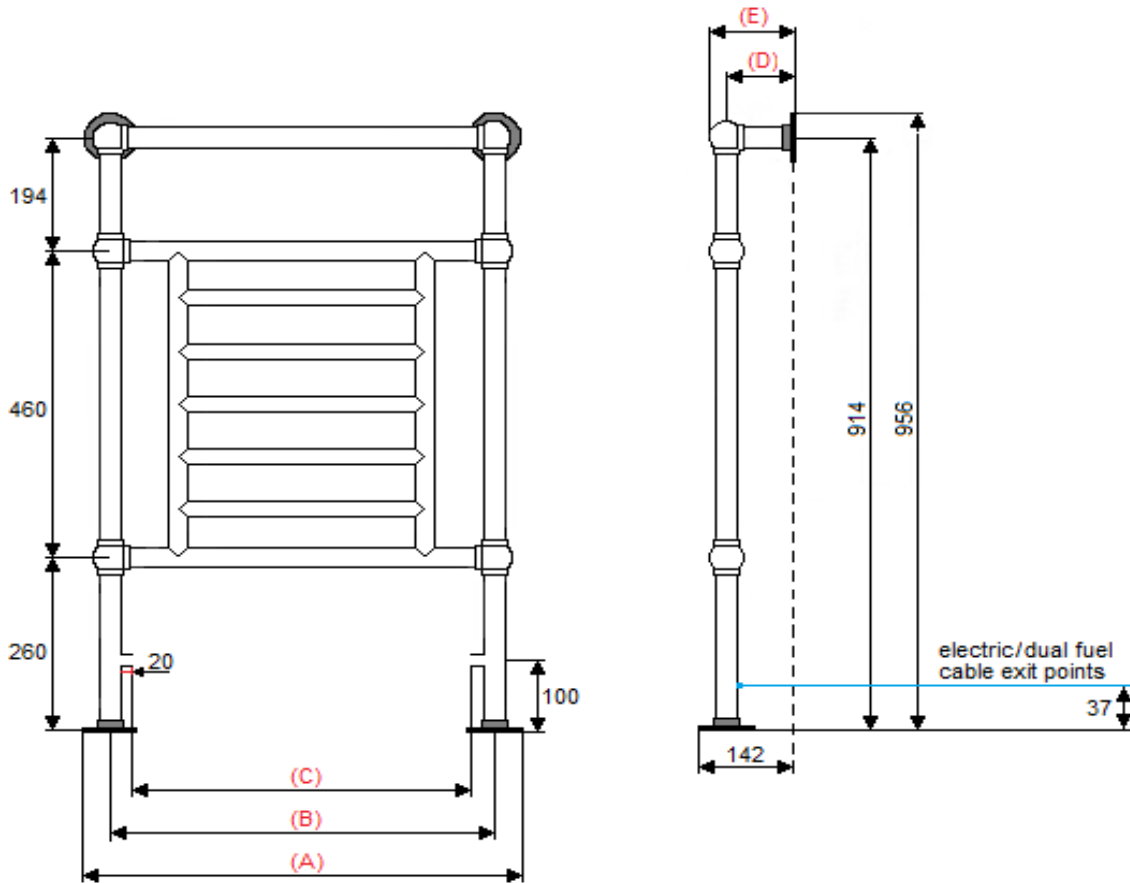


APOLLO ravenna PTA technical specification



RAVENNA PTA DIMENSIONS (mm)			
Model code			PTA6
Width of radiator		(A)	694
Model height			956
Pipe centres	Width	(B)	610
	Depth	(D)	100
Depth of rail		(E)	125
Tapping centres	Inward	(C)	538
Bracket positions			wall plates/floor plates
Tappings			1/2"

TEMPERATURE			
FACTORS FOR DIFFERENCES BETWEEN MEAN WATER TEMPERATURE AND ROOM TEMPERATURE IN °C AND °F OTHER THAN 50°C (90°F)			
5°C	0.050		
10°C	0.123	10°F	0.057
15°C	0.209	20°F	0.142
20°C	0.304	30°F	0.240
25°C	0.406	40°F	0.348
30°C	0.515	50°F	0.466
35°C	0.629	60°F	0.590
40°C	0.748	70°F	0.721
45°C	0.872	80°F	0.858
50°C	1.000	90°F	1.000
55°C	1.132	100°F	1.147
60°C	1.267	110°F	1.298
65°C	1.406	120°F	1.454
70°C	1.549	130°F	1.613
75°C	1.694	140°F	1.776
TO APPLY THE FACTORS SHOWN IN THE TABLE TO OUR QUOTED OUTPUTS MULTIPLY THE QUOTED OUTPUT BY THE CHOSEN OPERATING FACTOR TO GIVE THE OUTPUT			

RAVENNA PTA WEIGHTS AND VOLUMES (per radiator)		
Model width (mm)		694
Dry weight (A) Kg		7.67
Water content (B) Litres		4.21
Working weight (A+B) Kg		11.88
Outputs: Watts $\Delta T=50k$		395

The thermal outputs expressed at $\Delta T=50k$ comply with European regulation EN 442-2

ADDITIONAL INFORMATION		
Material		Brass (DZR)
Alloy thickness		1 - 1.6mm
Tube diameter	Frame	31.8mm
	Grille	25.4mm
Maximum working pressure		3 bar/300 kPa
Maximum working temperature		85°C
Maximum testing pressure		6 bar/600 kPa

DUAL FUEL/ELECTRIC INFORMATION (where applicable)	
Position of cable exit point	Back of leg
Distance from floor to cable exit point	37mm
Element	150W

Please note: These towel rails are handmade and therefore subject to a tolerance of +/- 6mm on all measurements

This drawing: Is the property of Apollo Radiators Ltd and may not be reproduced or transmitted to third parties without authorisation