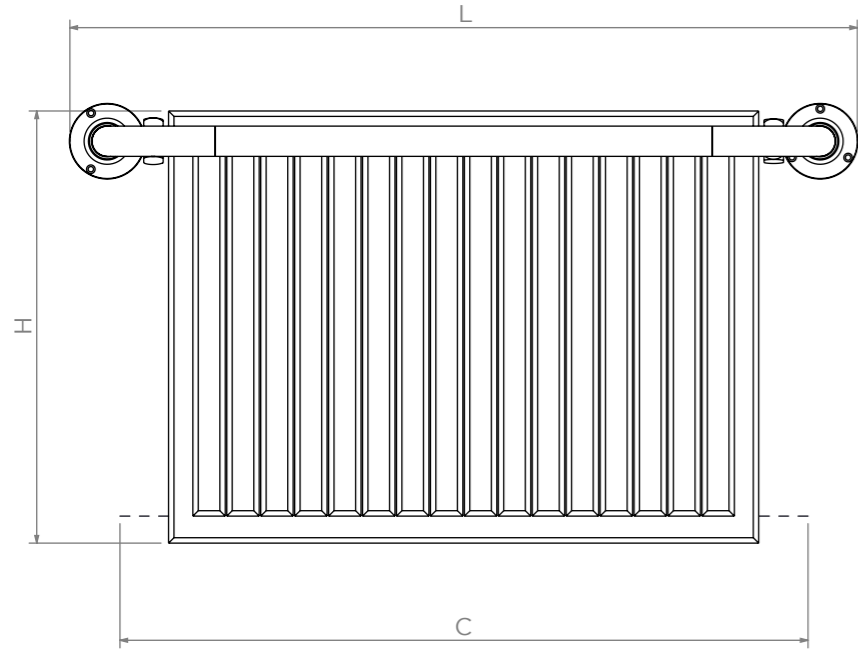
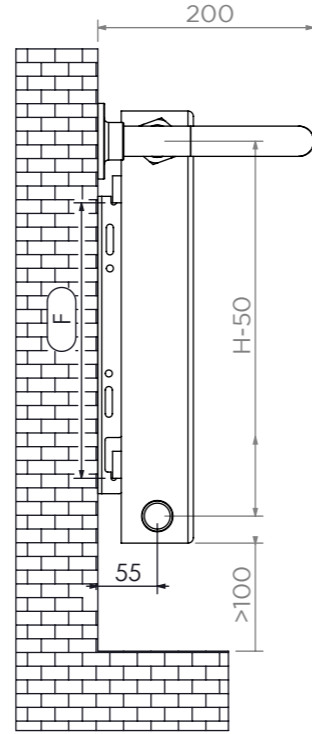


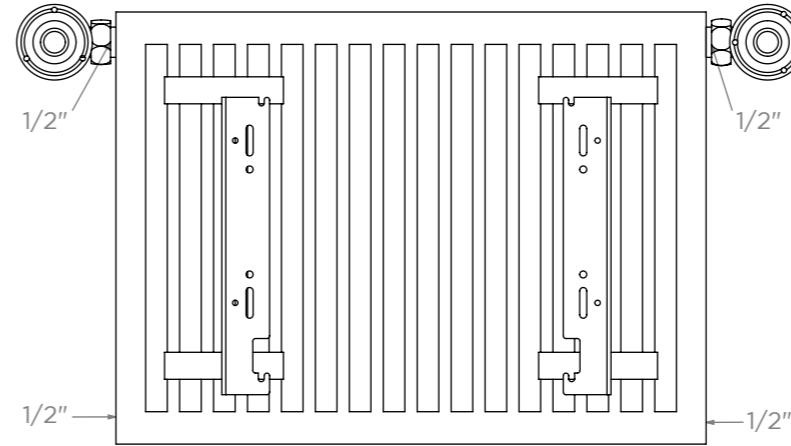
ALL MEASUREMENTS ARE IN MILLIMETRES MANUFACTURED FROM MILD STEEL



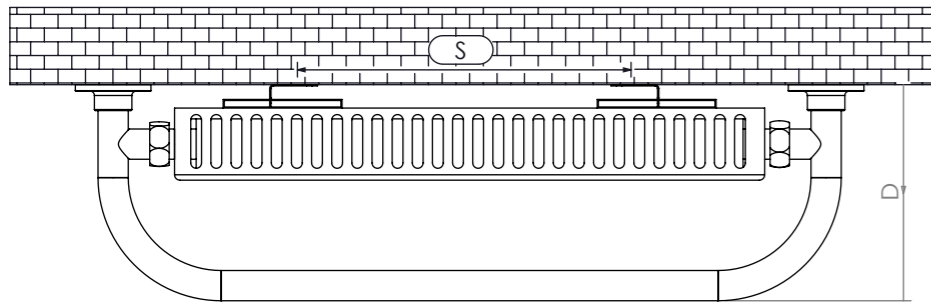
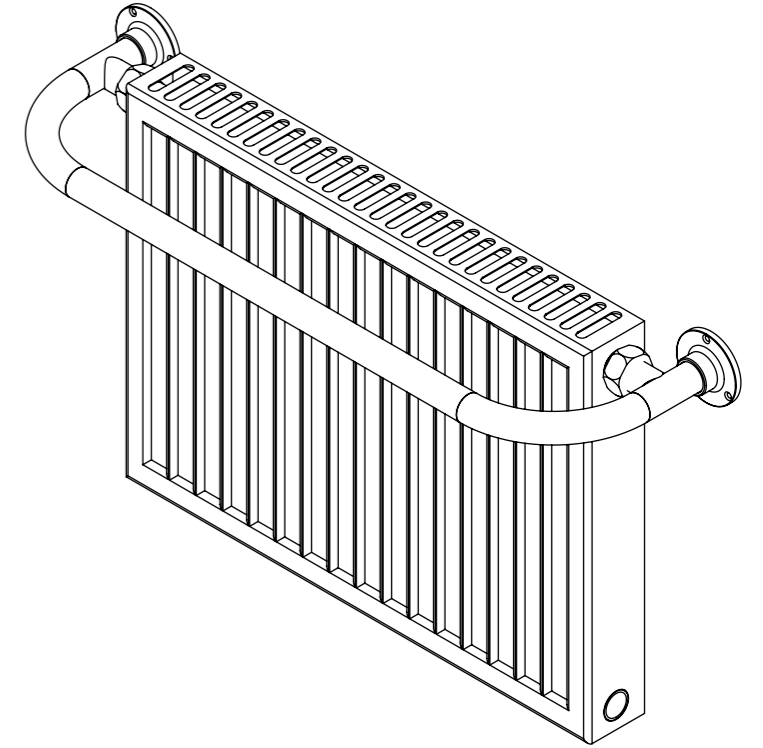
Front View



Side View



Back View

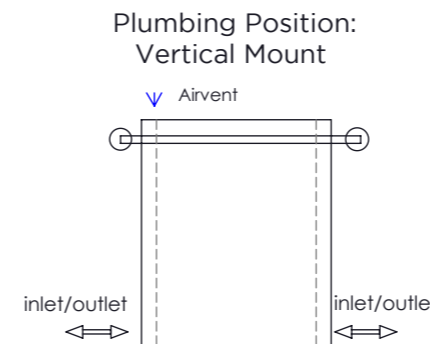


Top View

### Installation Accessories:



All Dimensions are in mm  
 Max. Working Pressure: 10 Bar  
 Max. Working Temperature: 95° C  
 Inlet / Outlet : 1/2" BSP  
 Fuel Type: H



PRODUCT CODE	HEIGHT (H)	LENGTH (L)	DEPTH (D)	PIPE CENTRES (C)	BRACKET CENTRES	
	mm	mm	mm		F	S
4HS	400	734	200	590	150	320
5HS	500	734	200	590	250	320
6HS	600	734	200	590	350	320
7HS	700	734	200	590	450	320
9HS	900	734	200	590	650	320
4HH	400	734	200	590	150	320
5HH	500	734	200	590	250	320
6HH	600	734	200	590	350	320
7HH	700	734	200	590	450	320
9HH	900	734	200	590	650	320
4PHS	400	734	200	590	150	320
5PHS	500	734	200	590	250	320
6PHS	600	734	200	590	350	320
7PHS	700	734	200	590	450	320
9PHS	900	734	200	590	650	320
4PHH	400	734	200	590	150	320
5PHH	500	734	200	590	250	320
6PHH	600	734	200	590	350	320