

Piano Towel Rail



Dual Fuel options see pages 116-117



1520mm x 506mm in RAL 9006 with Chrome 3 Style Corner valves

Piano Towel Rail shown on page 96

High quality Italian design & manufacture
 Steel; 50mm x 10mm flat tubes with 30mm collectors
 UKCA approved & certified to BS EN442

White RAL 9016 as standard, 188 RAL colours plus 30 Special Finishes
 Please call **01342 302250** for a RAL or Special Finish chart

Stock White RAL 9016: 48-72 Hours
 Made to Order sizes & colours: Up to 5 weeks



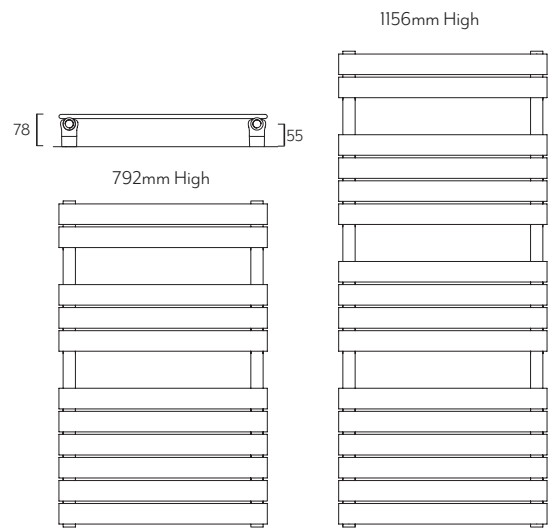
SAVE MONEY! WHEN YOU BUY OUR **CYLINDER KIT** WITH ANY TOWEL RAIL ORDER*
 QUOTE **PROMOV3** AT TIME OF ORDER

Available in White or Chrome

Pipe centres left to right	Pipe centres from wall	Depth from wall
width - 50mm	55mm	78mm

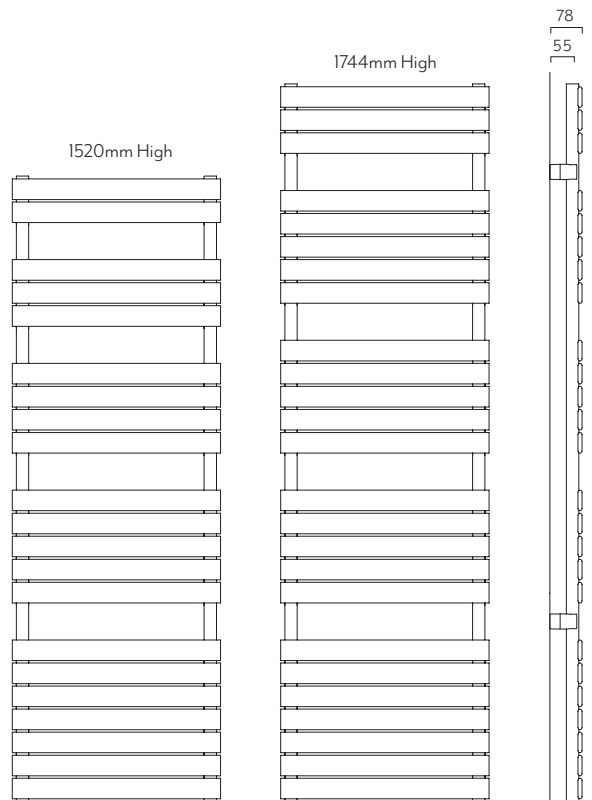
Stock options White RAL 9016

Height (mm)	Width (mm)	Model	Watts $\Delta t 50^{\circ}c$	Btu's $\Delta t 50^{\circ}c$
792	506	PIATR7950	412	1406
	606	PIATR7960	483	1648
1156	506	PIATRI150	558	1904
	606	PIATRI160	658	2245
1520	506	PIATRI550	718	2450
	606	PIATRI560	848	2893



Made to order options

Height (mm)	Width (mm)	Model	Watts $\Delta t 50^{\circ}c$	Btu's $\Delta t 50^{\circ}c$
792	456	PIATR7945	377	1286
	556	PIATR7955	447	1525
	756	PIATR7975	588	2006
1156	456	PIATRI145	507	1730
	556	PIATRI155	608	2074
	756	PIATRI175	808	2757
1520	456	PIATRI545	654	2231
	556	PIATRI555	783	2672
	756	PIATRI575	1043	3559
1744	456	PIATRI745	766	2614
	506	PIATRI750	839	2863
	556	PIATRI755	912	3112
	606	PIATRI760	986	3364
	756	PIATRI775	1206	4115



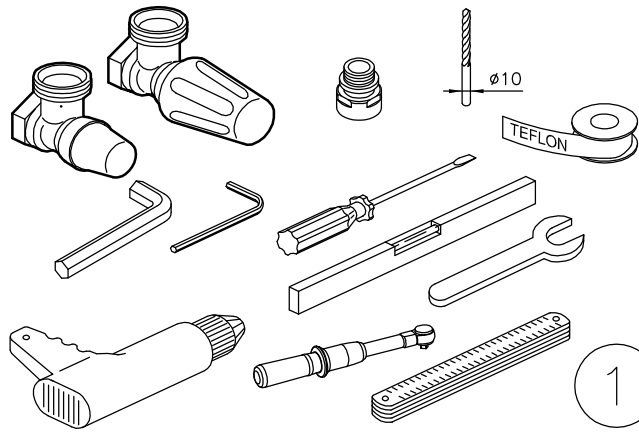
*Saving based on the value of individual items when bought separately. Order any of our selected valves & matching pipe covers at the same time as your radiator; PROMOV3W (white), PROMOV3C (chrome).

PIANO TOWEL RAIL

Fitting Instructions

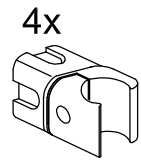
Accessories not included

mm



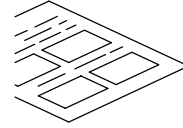
1

Accessories included

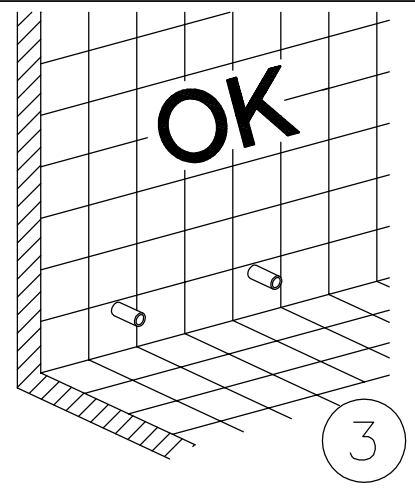


Dowels and screws to be used only on compact walls or hollow bricks.

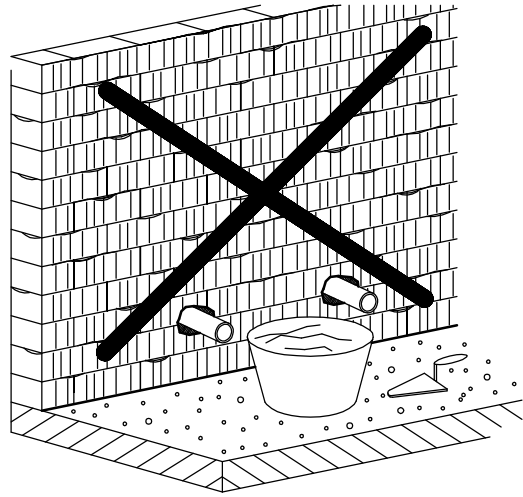
8x



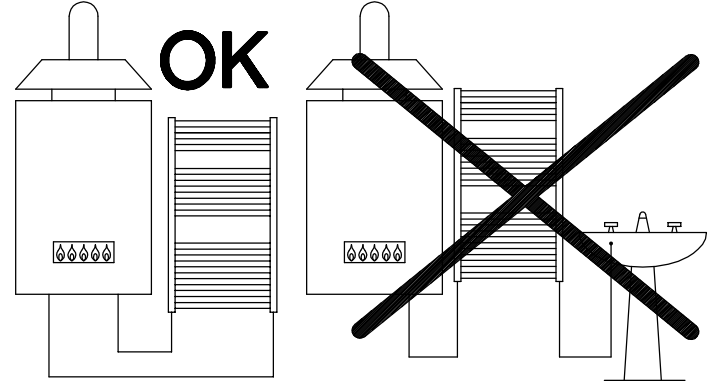
2



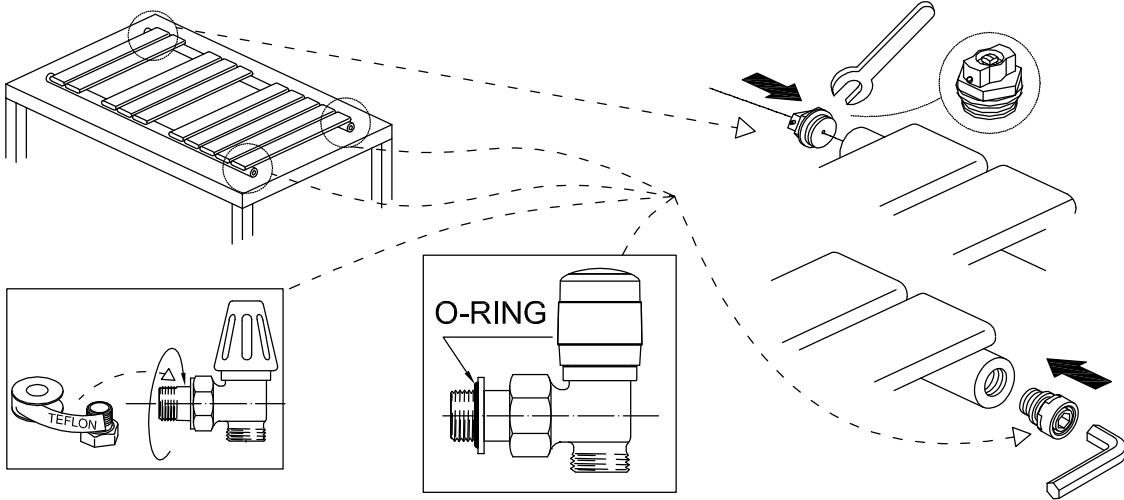
3



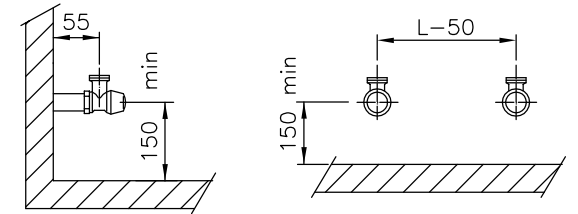
4



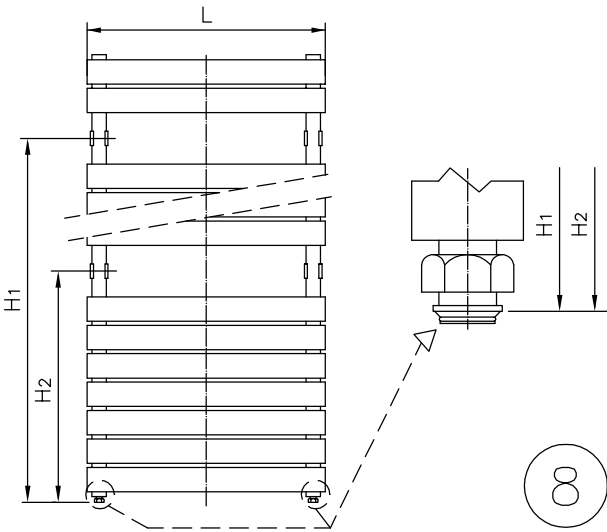
5



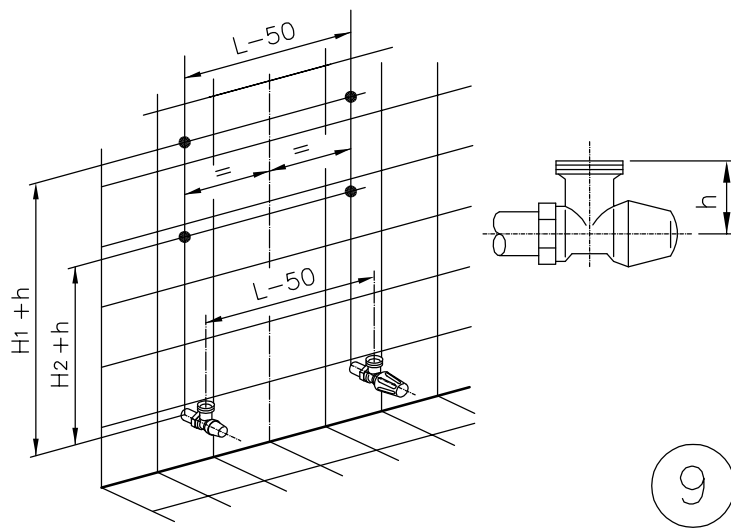
6



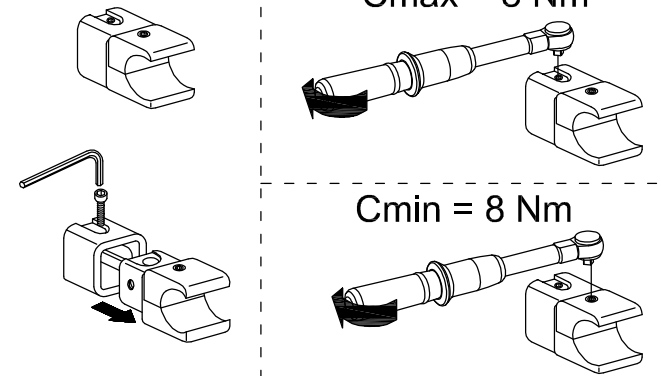
7



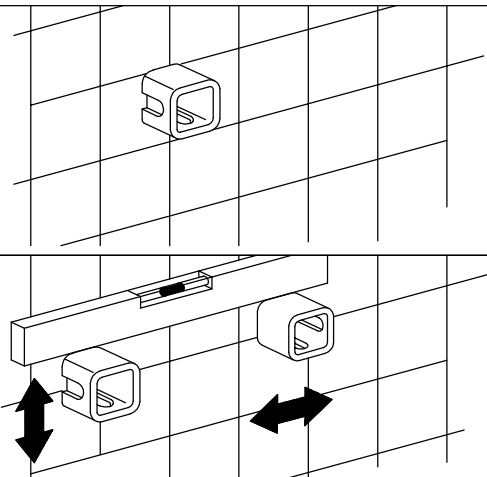
8



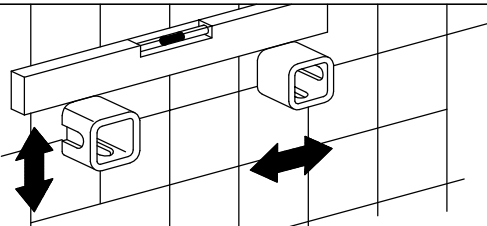
9



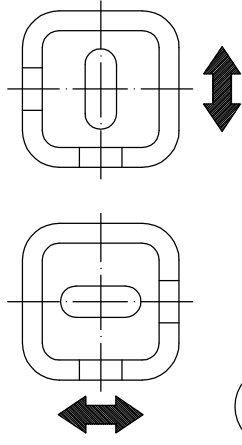
10



11

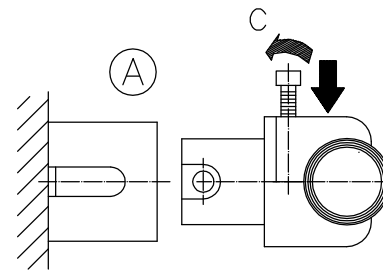


12

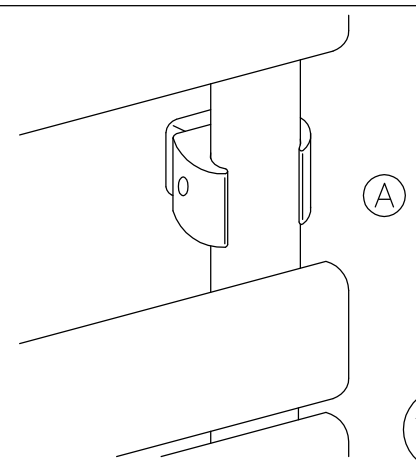


13

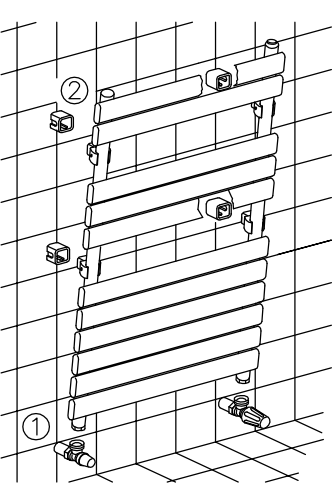
Cmin = 8 Nm



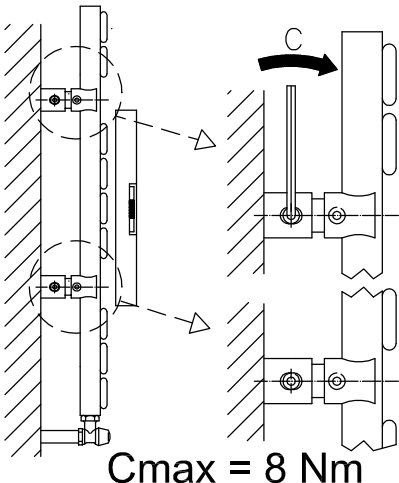
14



15

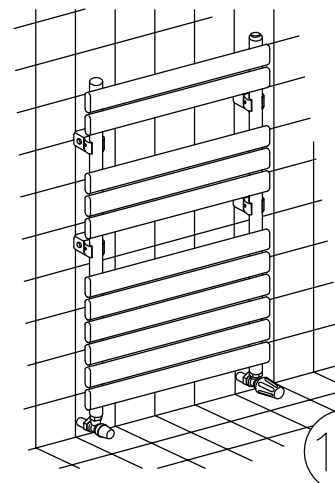


16

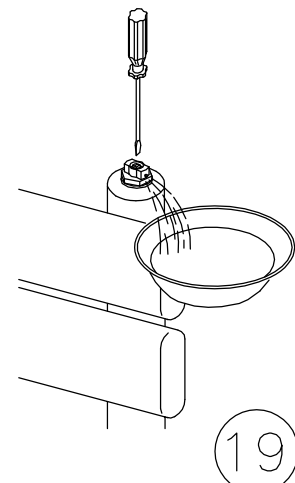


Cmax = 8 Nm

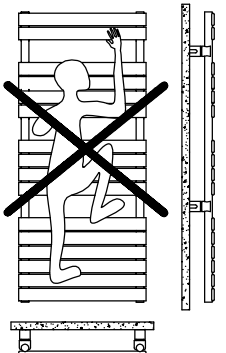
17



18



19



20

COMMISSION

Please Note: In accordance with Part L1 2006 of the Building Regulations and BS7593:1992 code of practice for the treatment of hot water and central heating systems, we strongly recommend flushing the heating system post installation of new radiators and then adding the correct quantity and type of inhibitor for use with your radiator and system to prevent corrosion. Damage caused to systems not protected by a suitable inhibitor will not be covered by manufacturer's guarantee.

TECHNICAL SPECIFICATIONS

Materials	Mild Steel.
Connections	½ flow and return.
Test pressure	6 Bar
Testing authority	EN 442
Maximum operating pressure	4 Bar
Maximum working temperature	95°C
Packaging	Wrapped in polyethylene with cardboard box.

PLEASE NOTE: Systems using micro bore pipework must have adequate pressure and flow rates for the number and style of radiators on the system.

TERMS & CONDITIONS

All products must be inspected once removed from the packaging and The Radiator Company notified within 28 days of delivery of any scratches, blemishes or other damage.

The Radiator Company will then replace the radiator.

Imperfect radiators should therefore not be fitted and The Radiator Company will not accept responsibility for replacement of scratched or damaged radiators once they have been fitted. This includes any consequential loss or cost of fitting.

If The Radiator Company are not notified within 28 days of the date on the signed delivery note then it will be deemed that The Radiator Company have fully complied with its obligations and claims will not be considered.

Failure to comply with any of the above may invalidate any claims.

We recommend that after you check the product on delivery that it is stored in its packaging to prevent damage prior to installation. The Radiator Company cannot accept responsibility for items damaged after delivery.

GUARANTEES & LIABILITIES

This product is guaranteed for 10 years . The guarantee is subject to the product being installed in accordance with British and or European standards as well as these fitting instructions. The guarantee in all cases are restricted to the free of charge replacement or repair of the failed product only. Our liability will under no circumstances extend beyond the repair or replacement of the product supplied by us. Claims for either labour in replacement or damage to property are not admissible. Any goods that are returned, in the event of a problem, will belong to The Radiator Company.

The Radiator Company
Units 13 - 14 Charlwoods Road
East Grinstead
West Sussex
RH19 2HU

A brand of **IRSAP SPA**, Italy's leading manufacturer of design led radiators.

If you have any questions please contact us on 01342 302250
www.theradiatorcompany.co.uk