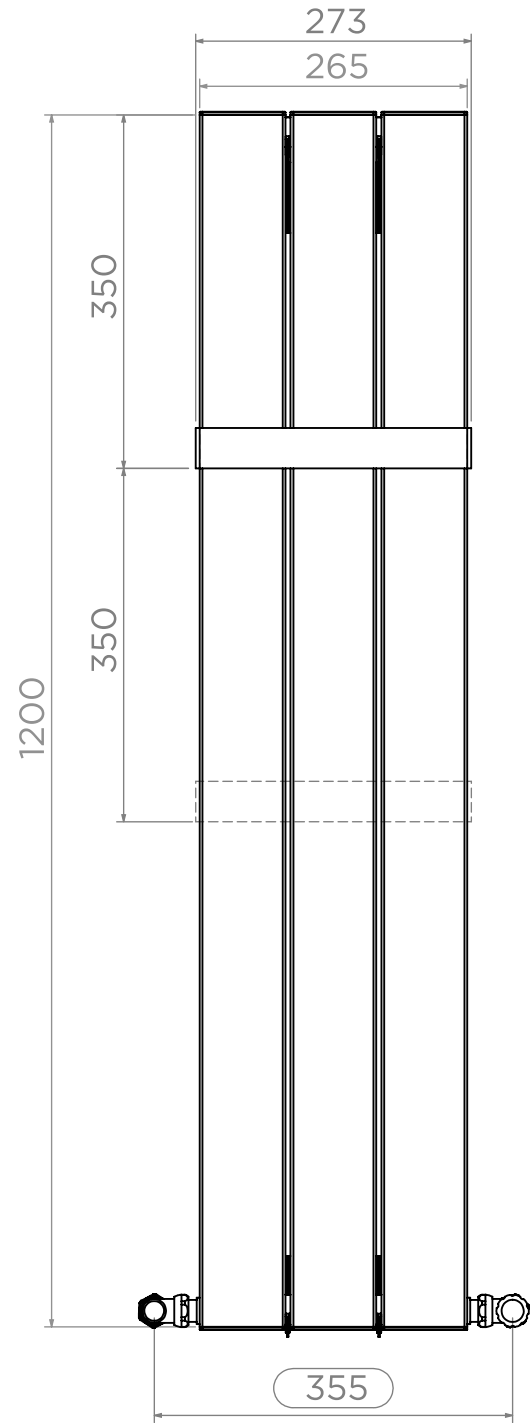
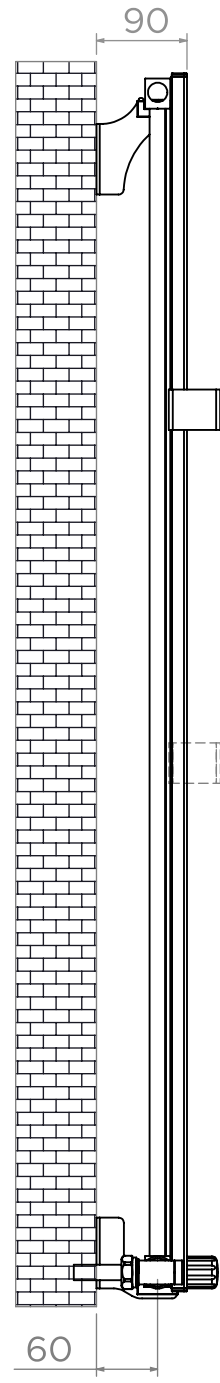


ALL MEASUREMENTS ARE IN MILLIMETRES MANUFACTURED FROM ALUMINIUM

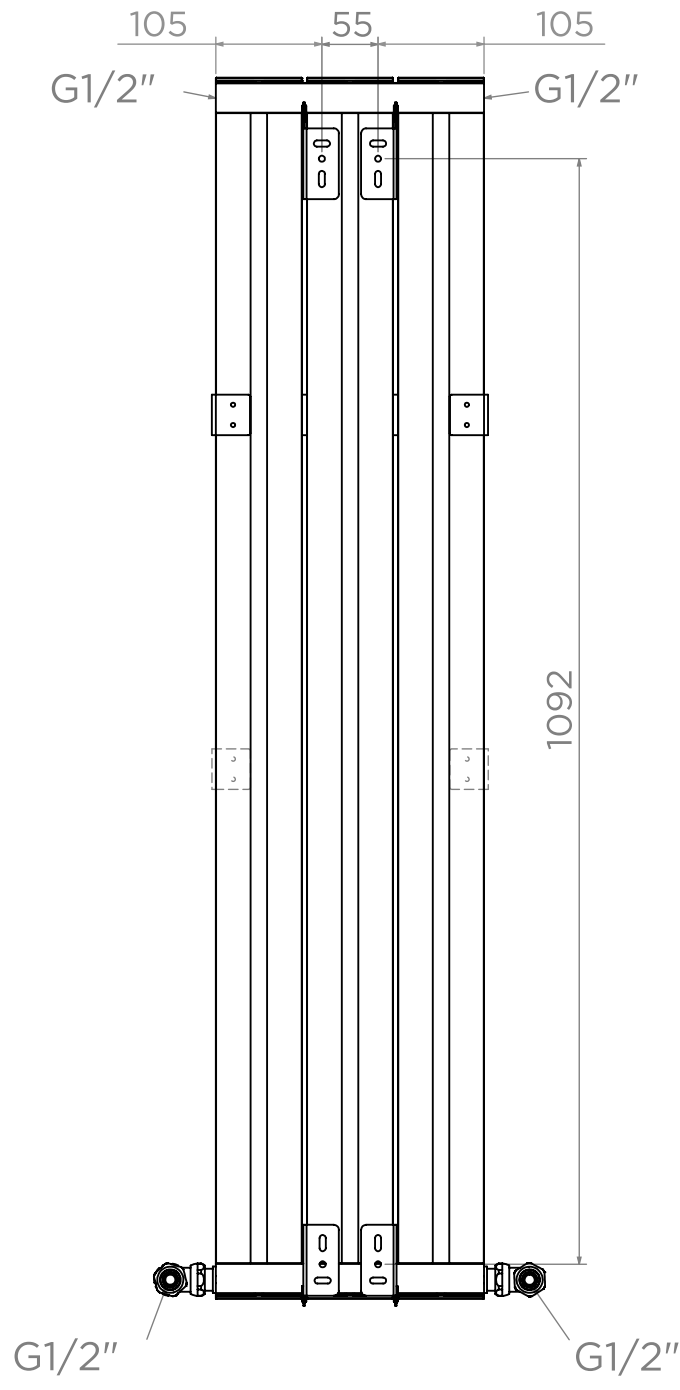
PL1203-TB3



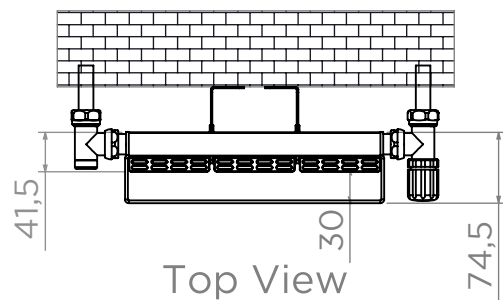
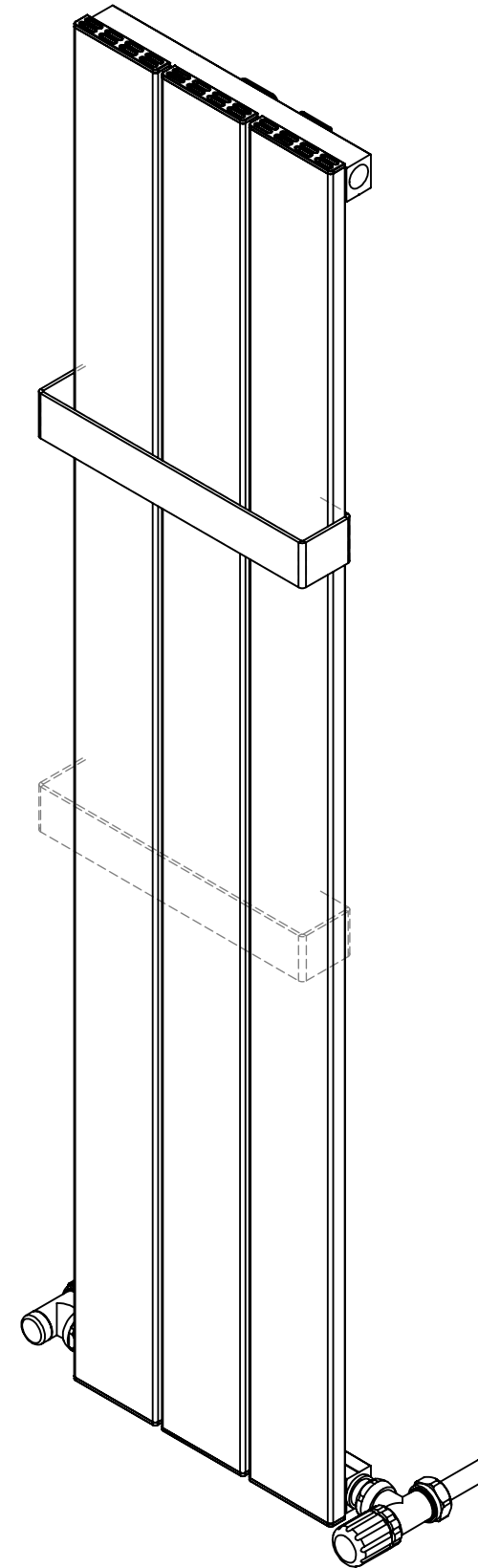
Front View



Side View



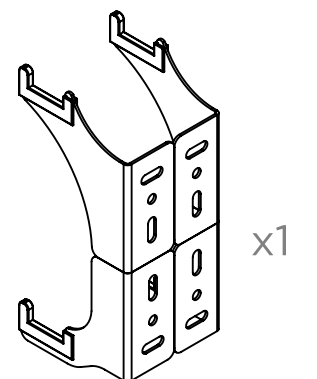
Back View



Top View

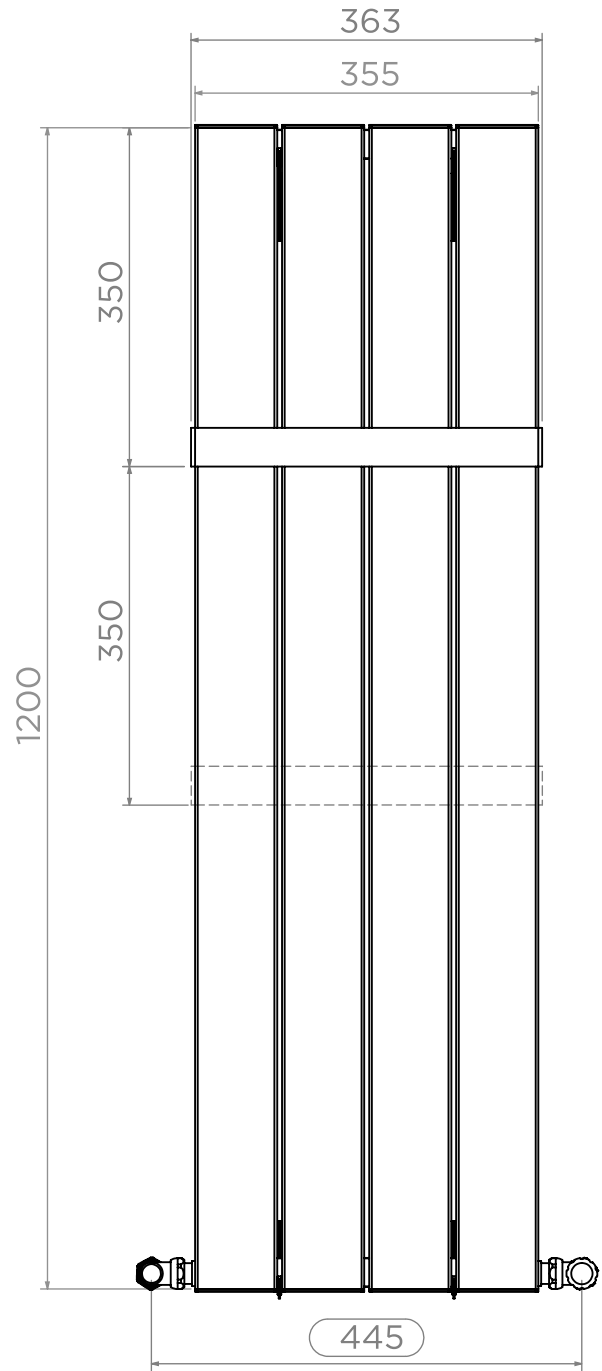
All Dimensions are in mm
 Max.Working Pressure: 10 Bar
 Max.Working Temperature: 95° C
 Inlet / Outlet : 1/2" BSP
 Fuel Type: H

Installation Accesories:

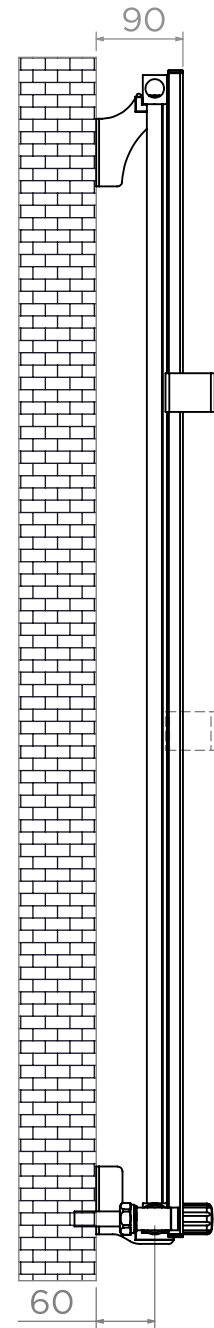


ALL MEASUREMENTS ARE IN MILLIMETRES | MANUFACTURED FROM ALUMINIUM

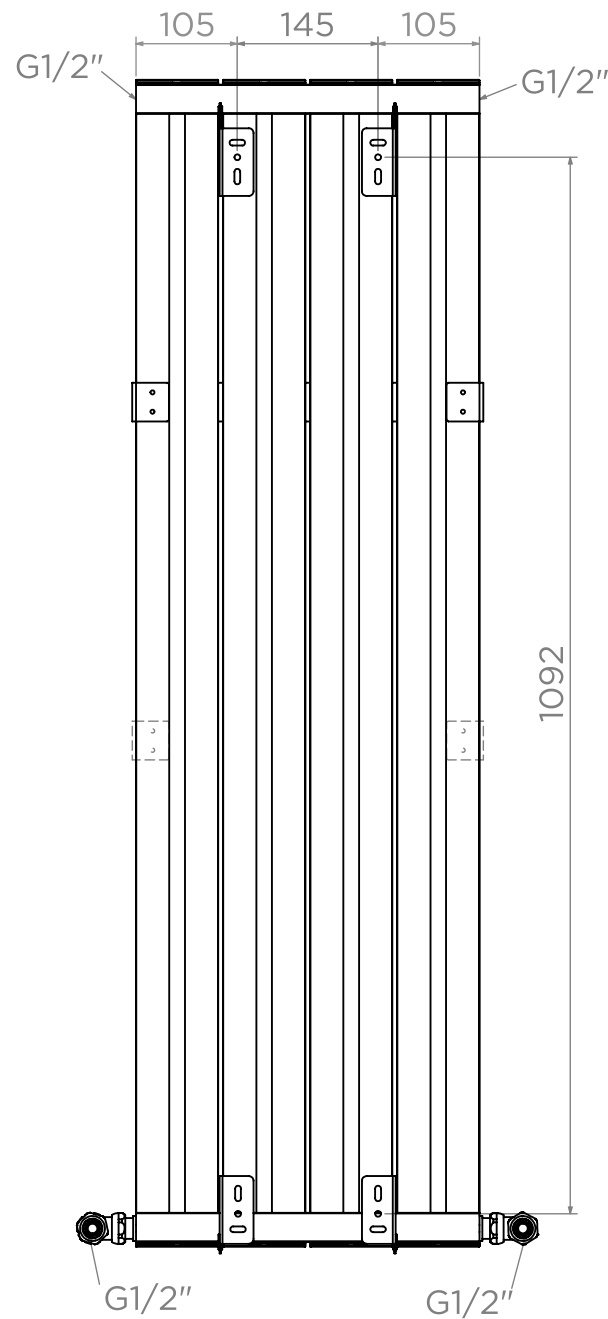
PL1203-TB4



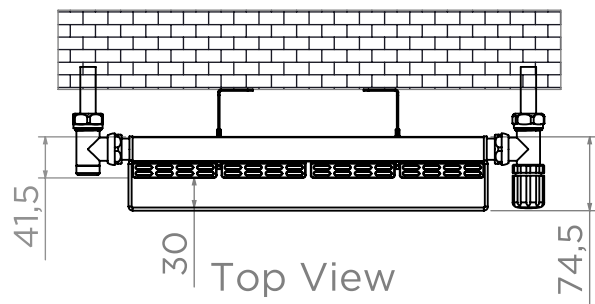
Front View



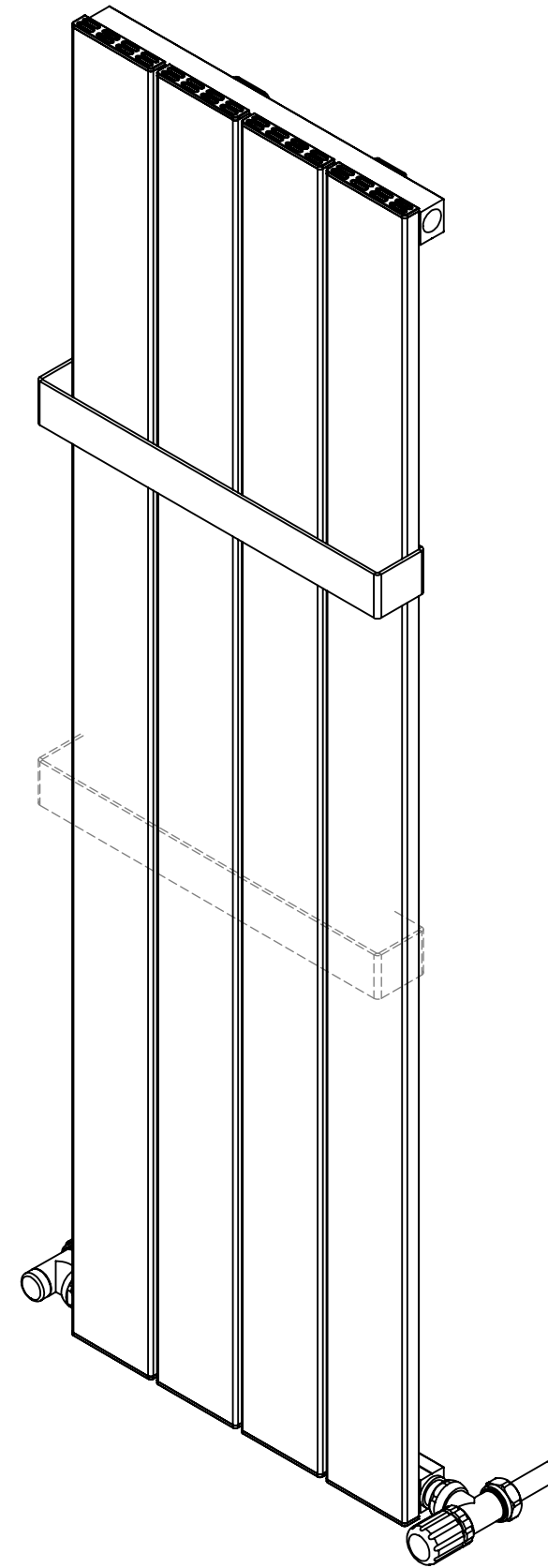
Side View



Back View

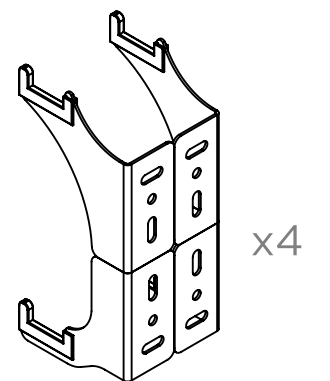


Top View



All Dimensions are in mm
 Max.Working Pressure: 10 Bar
 Max.Working Temperature: 95° C
 Inlet / Outlet : 1/2" BSP
 Fuel Type: H

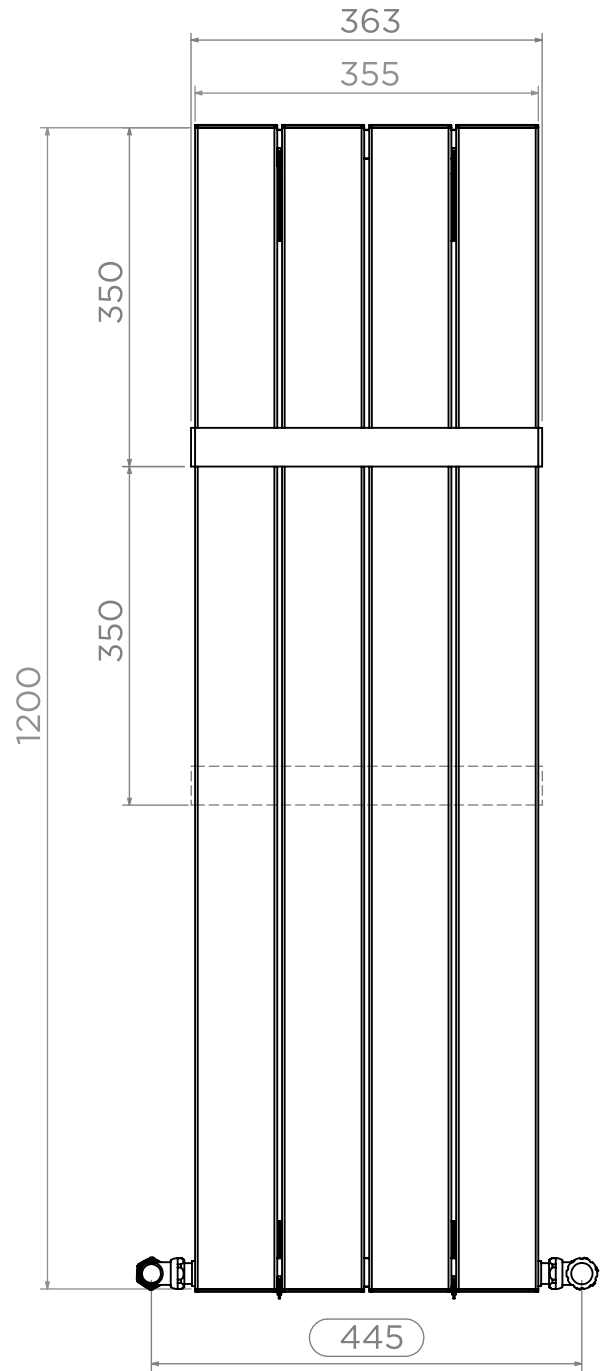
Installation Accesories:



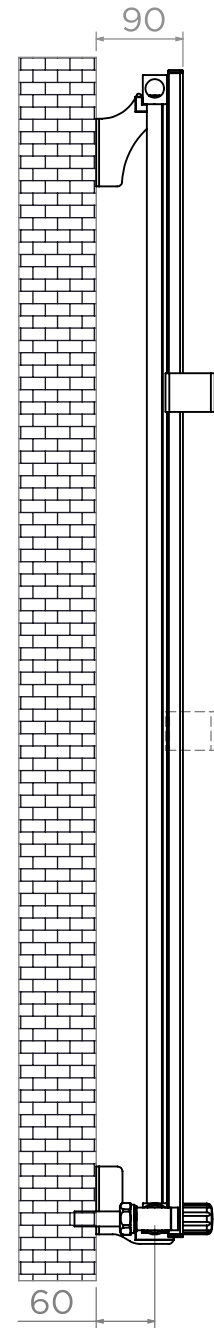
x4

ALL MEASUREMENTS ARE IN MILLIMETRES | MANUFACTURED FROM ALUMINIUM

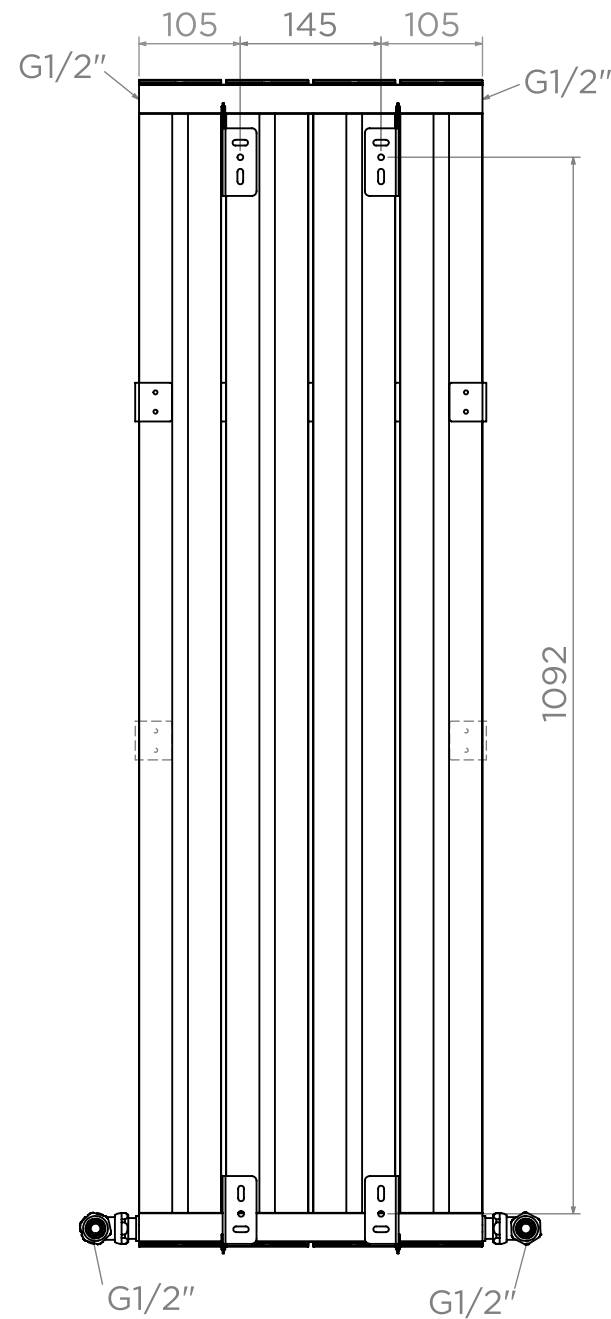
PL1204-TB4



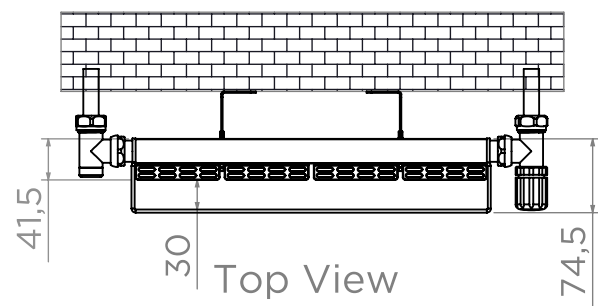
Front View



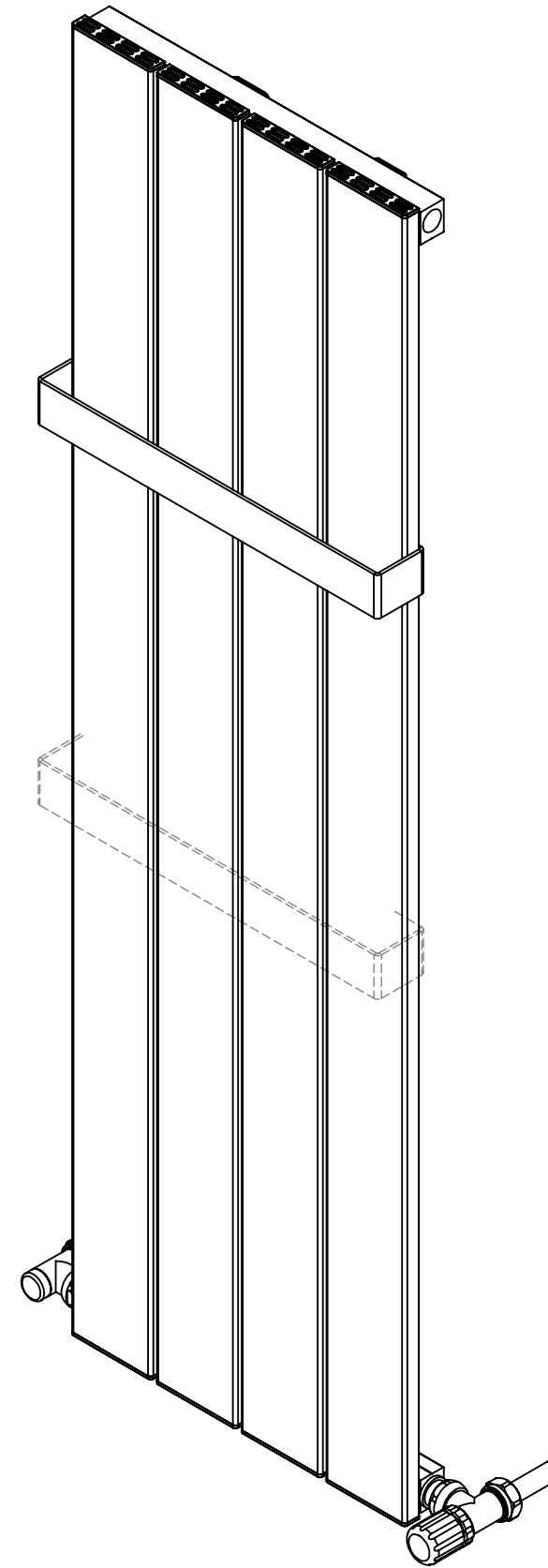
Side View



Back View

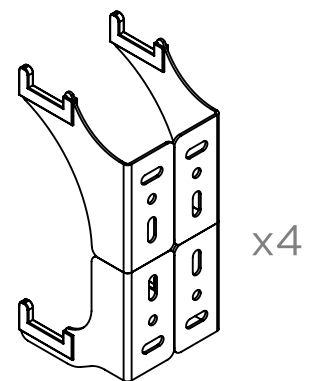


Top View



All Dimensions are in mm
 Max.Working Pressure: 10 Bar
 Max.Working Temperature: 95° C
 Inlet / Outlet : 1/2" BSP
 Fuel Type: H

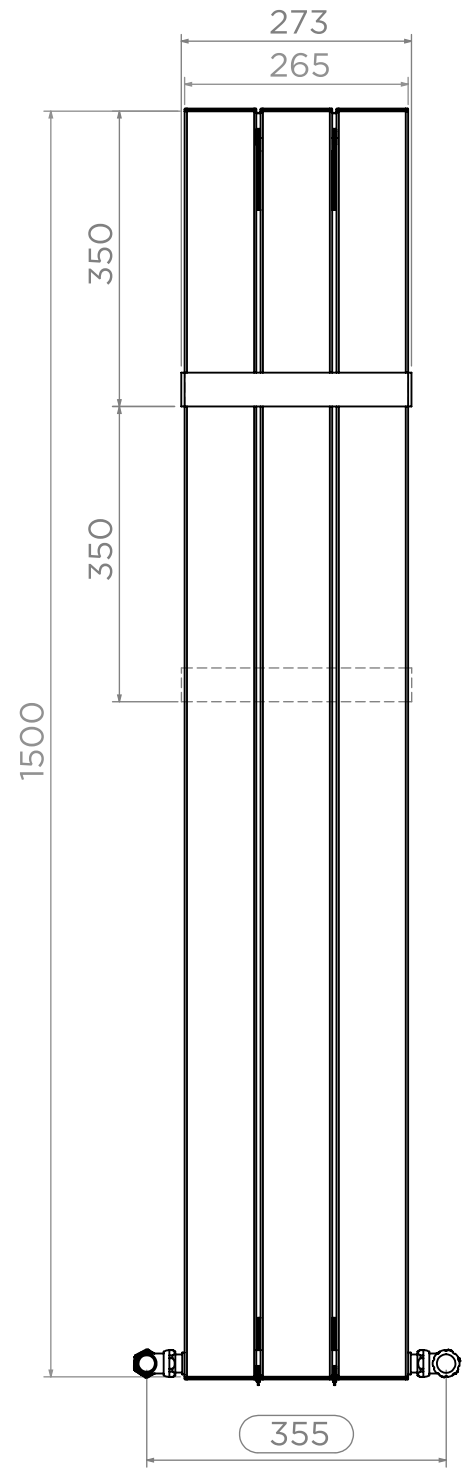
Installation Accesories:



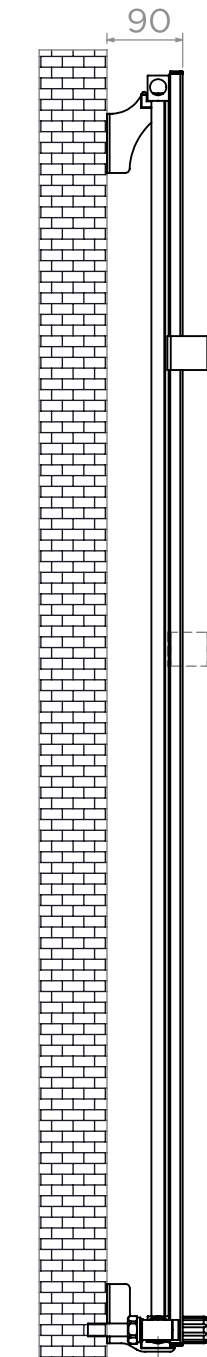
x4

ALL MEASUREMENTS ARE IN MILLIMETRES MANUFACTURED FROM ALUMINIUM

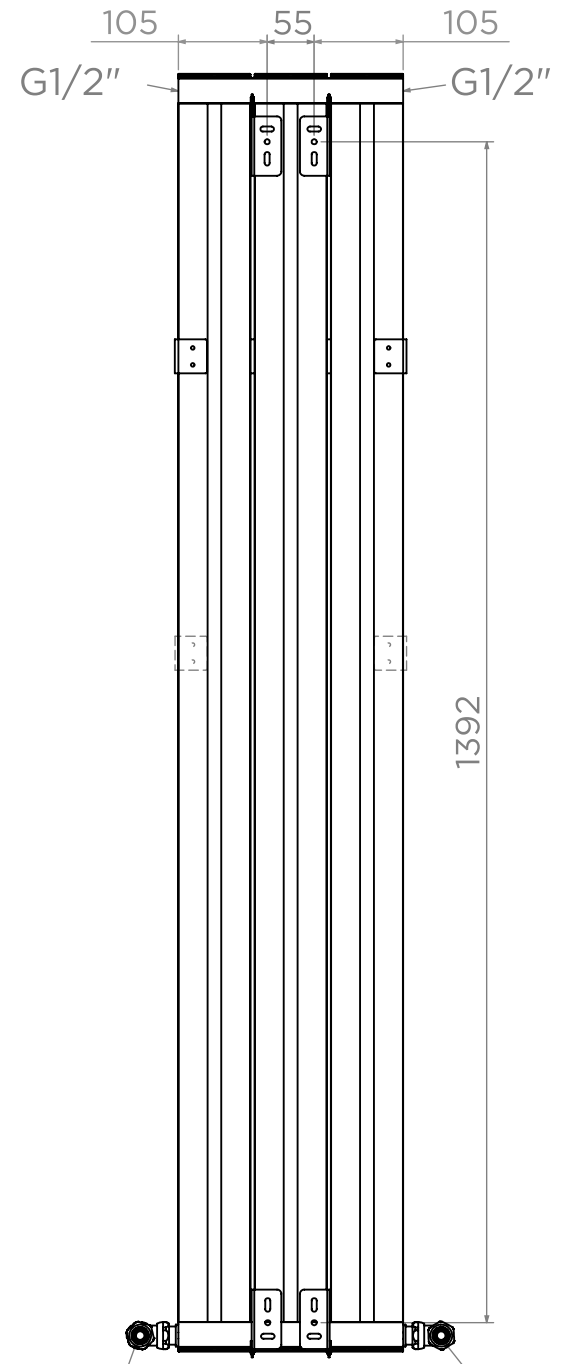
PL1503-TB3



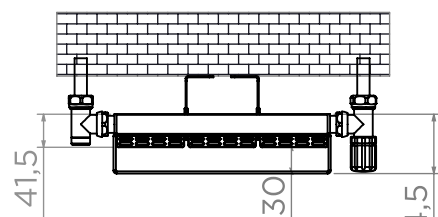
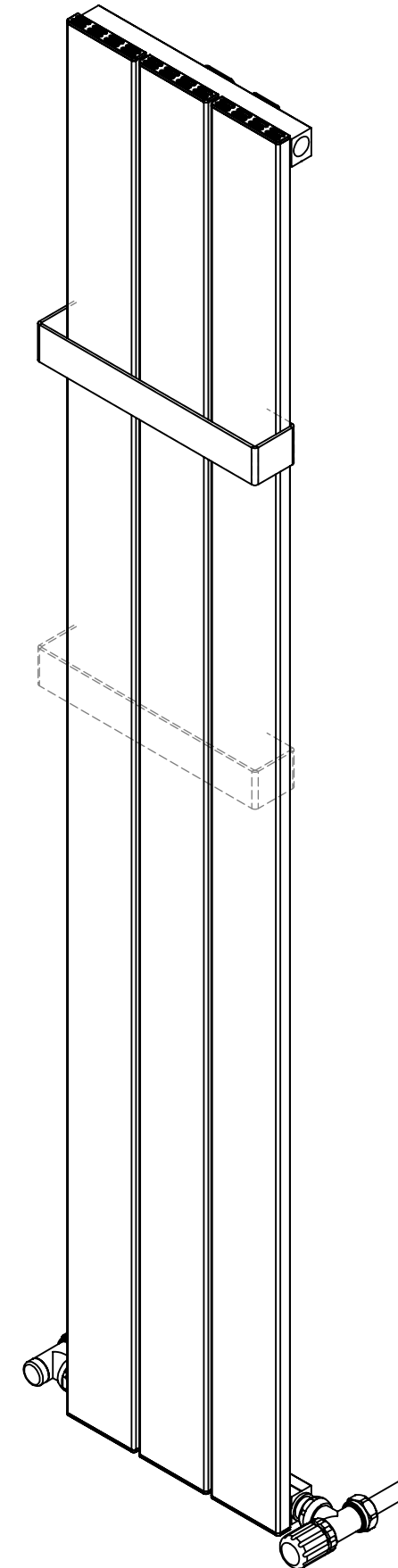
Front View



Side View



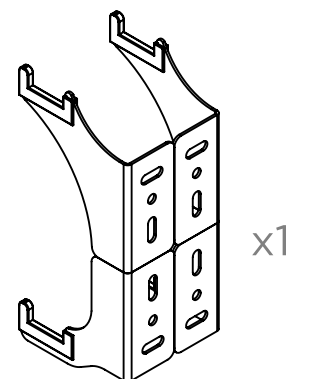
Back View



Top View

All Dimensions are in mm
 Max.Working Pressure: 10 Bar
 Max.Working Temperature: 95° C
 Inlet / Outlet : 1/2" BSP
 Fuel Type: H

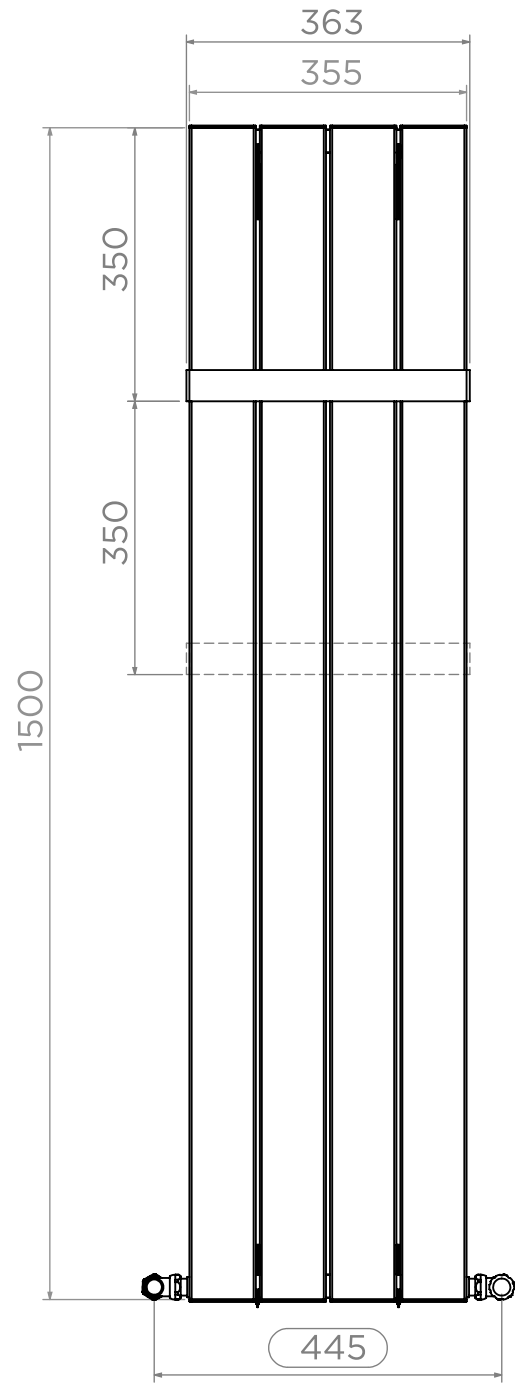
Installation Accesories:



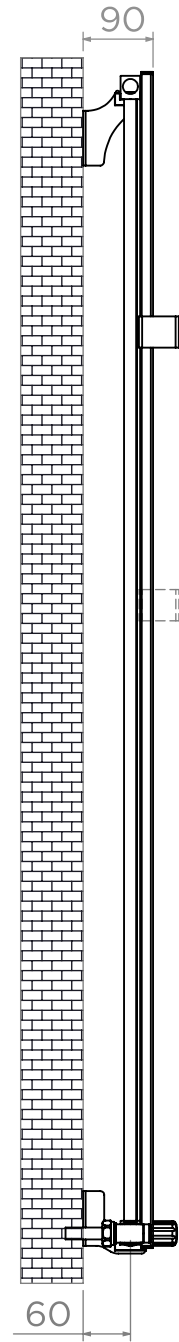
x1

ALL MEASUREMENTS ARE IN MILLIMETRES MANUFACTURED FROM ALUMINIUM

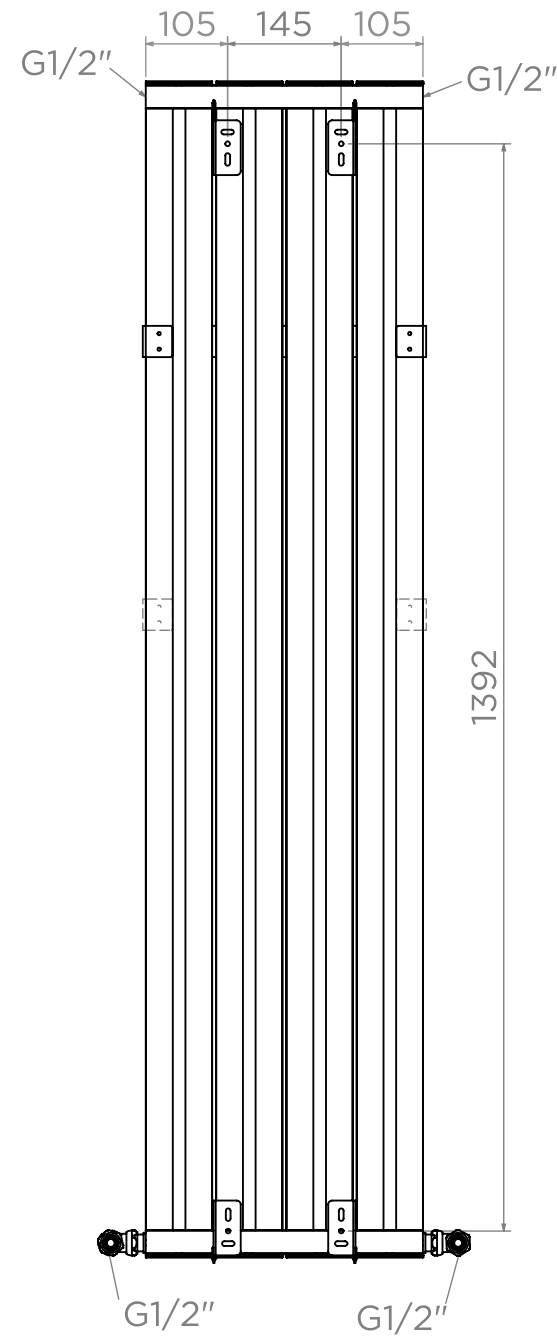
PL1504-TB4



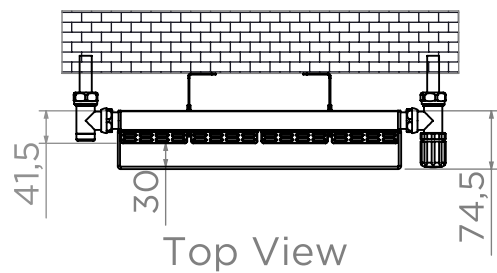
Front View



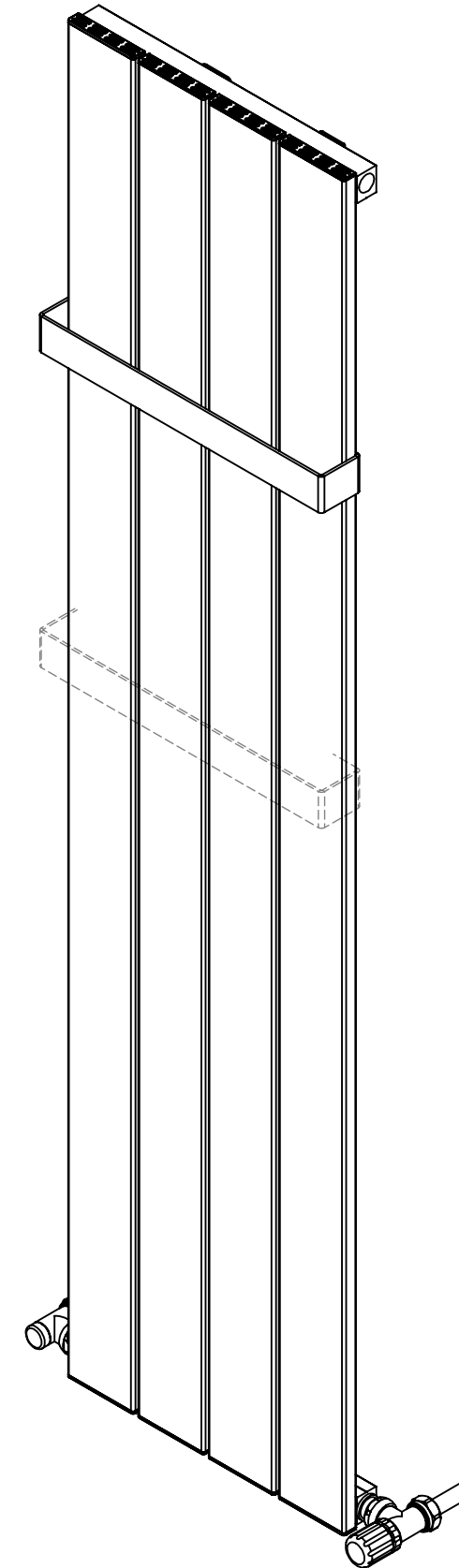
Side View



Back View

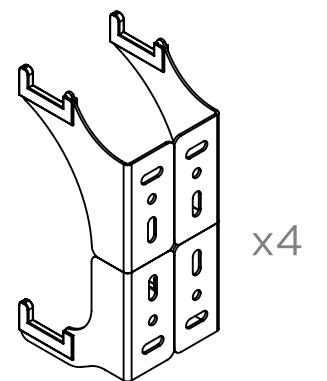


Top View



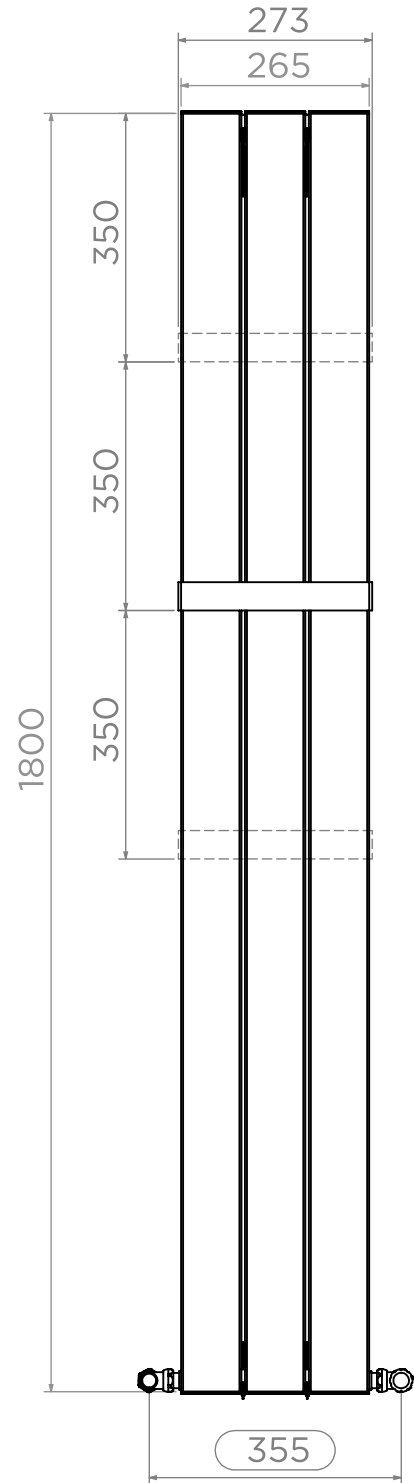
All Dimensions are in mm
 Max.Working Pressure: 10 Bar
 Max.Working Temperature: 95° C
 Inlet / Outlet : 1/2" BSP
 Fuel Type: H

Installation Accesories:

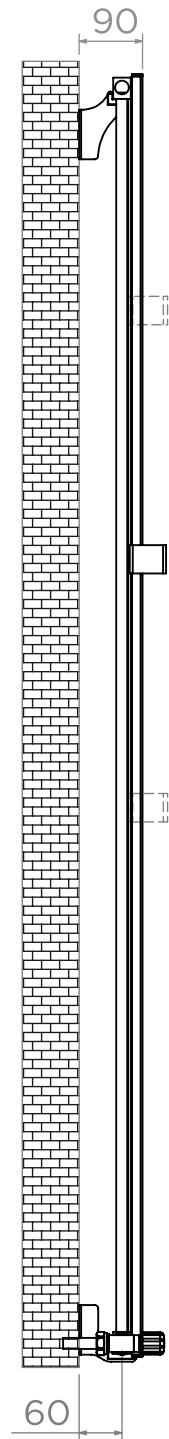


ALL MEASUREMENTS ARE IN MILLIMETRES MANUFACTURED FROM ALUMINIUM

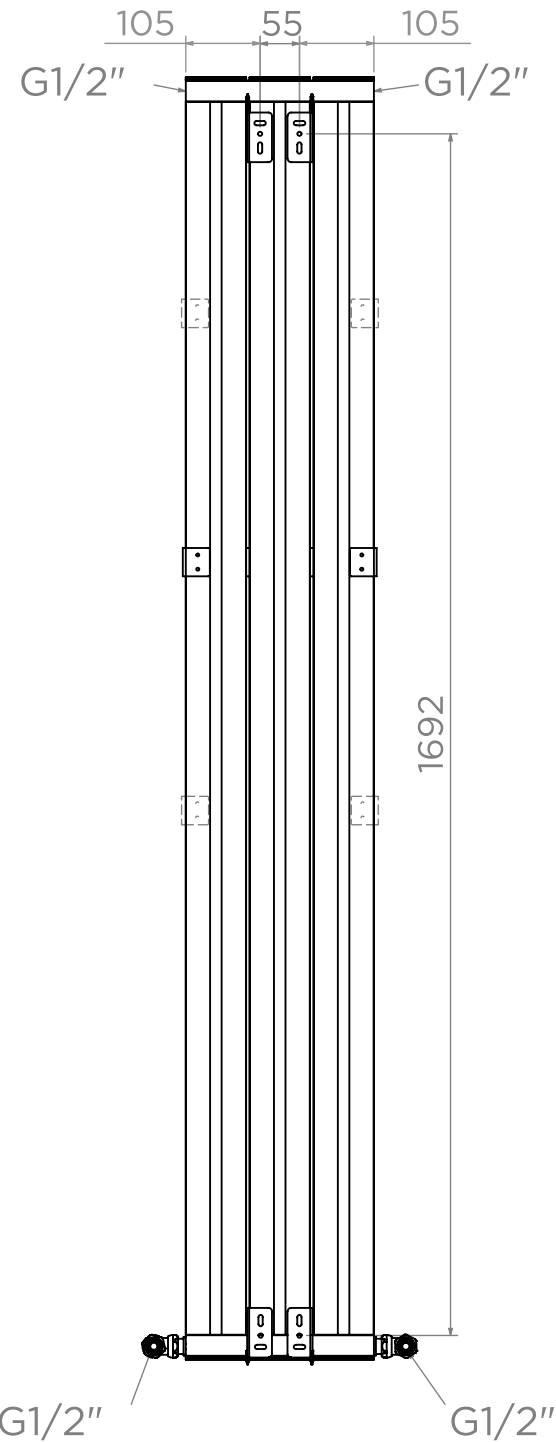
PL1803-TB3



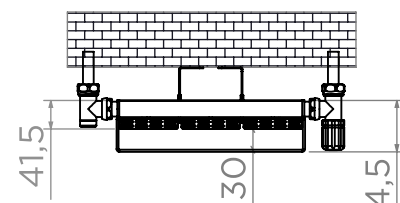
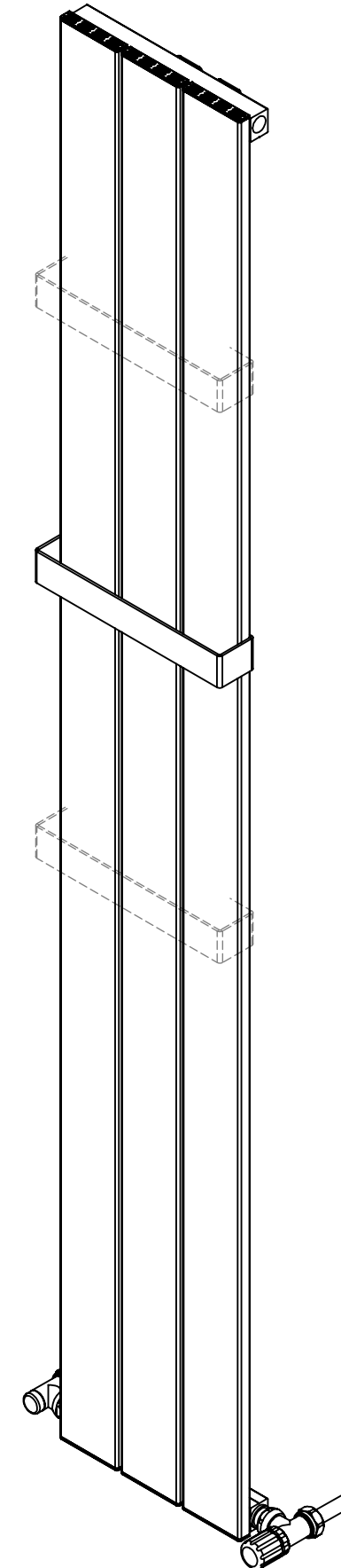
Front View



Side View



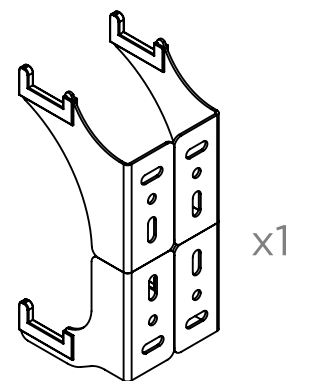
Back View



Top View

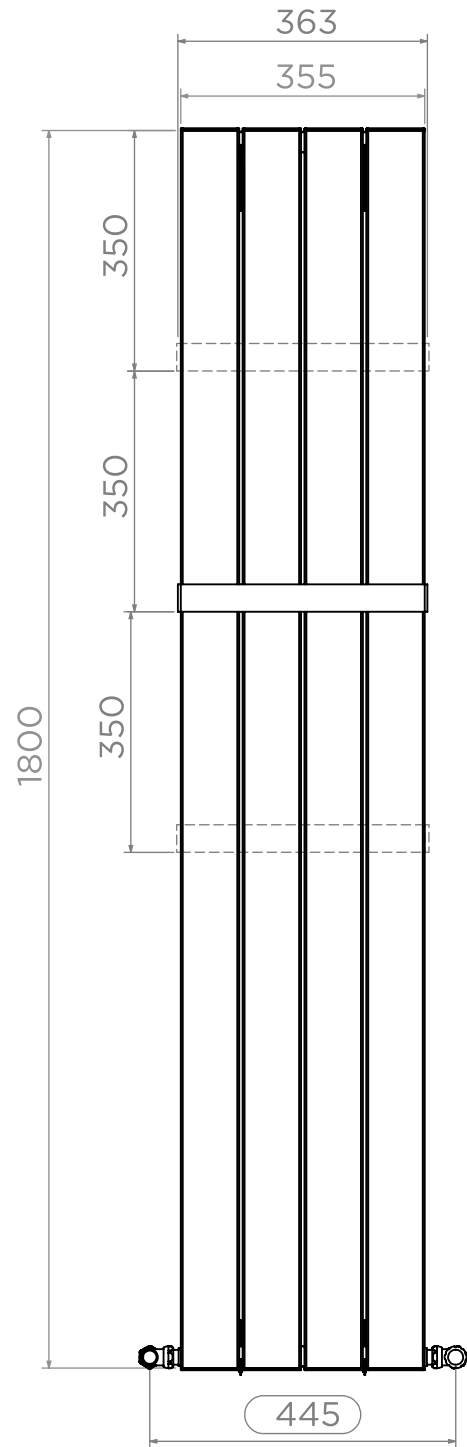
All Dimensions are in mm
 Max.Working Pressure: 10 Bar
 Max.Working Temperature: 95° C
 Inlet / Outlet : 1/2" BSP
 Fuel Type: H

Installation Accesories:

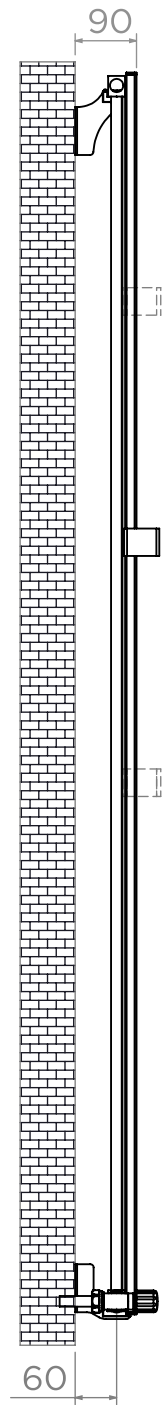


ALL MEASUREMENTS ARE IN MILLIMETRES MANUFACTURED FROM ALUMINIUM

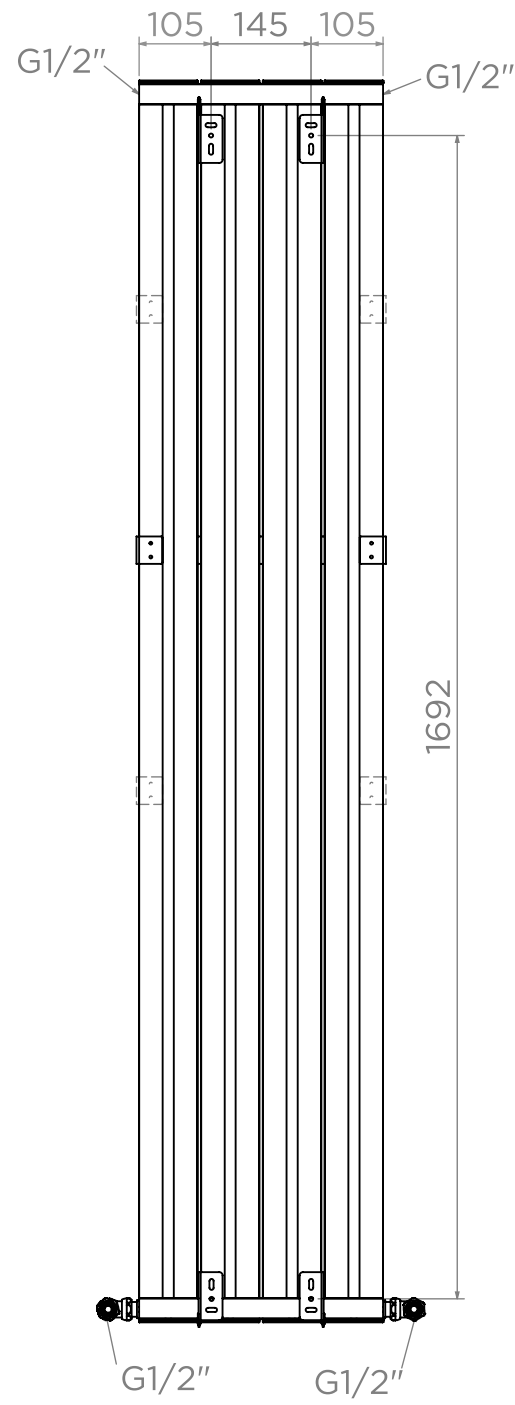
PL1804-TB4



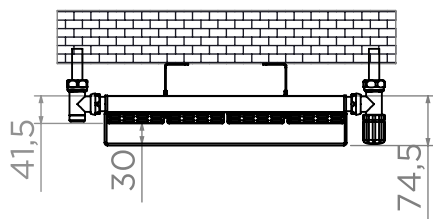
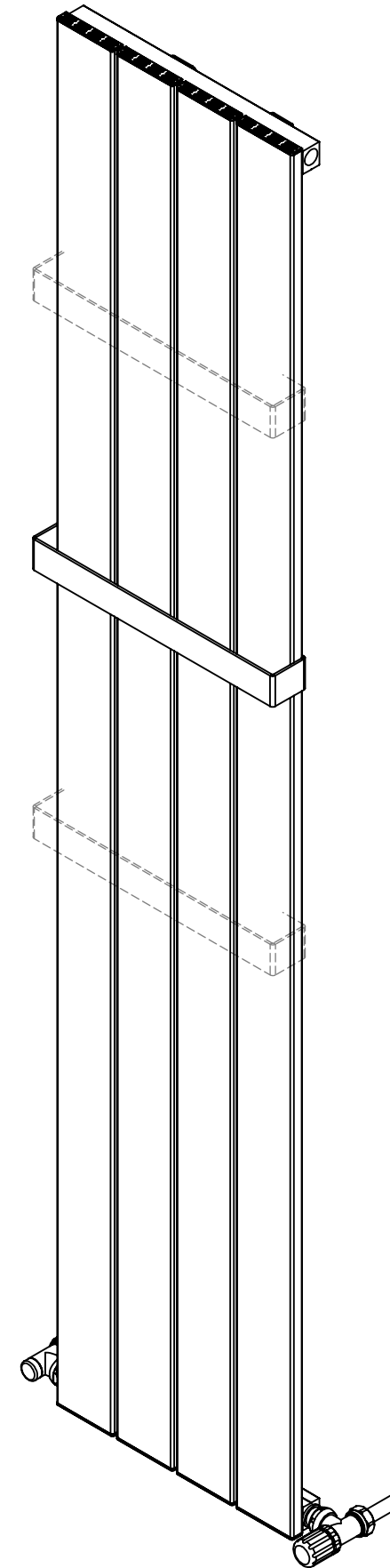
Front View



Side View



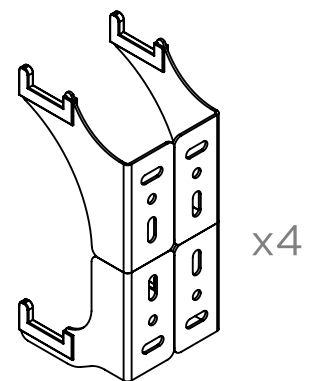
Back View



Top View

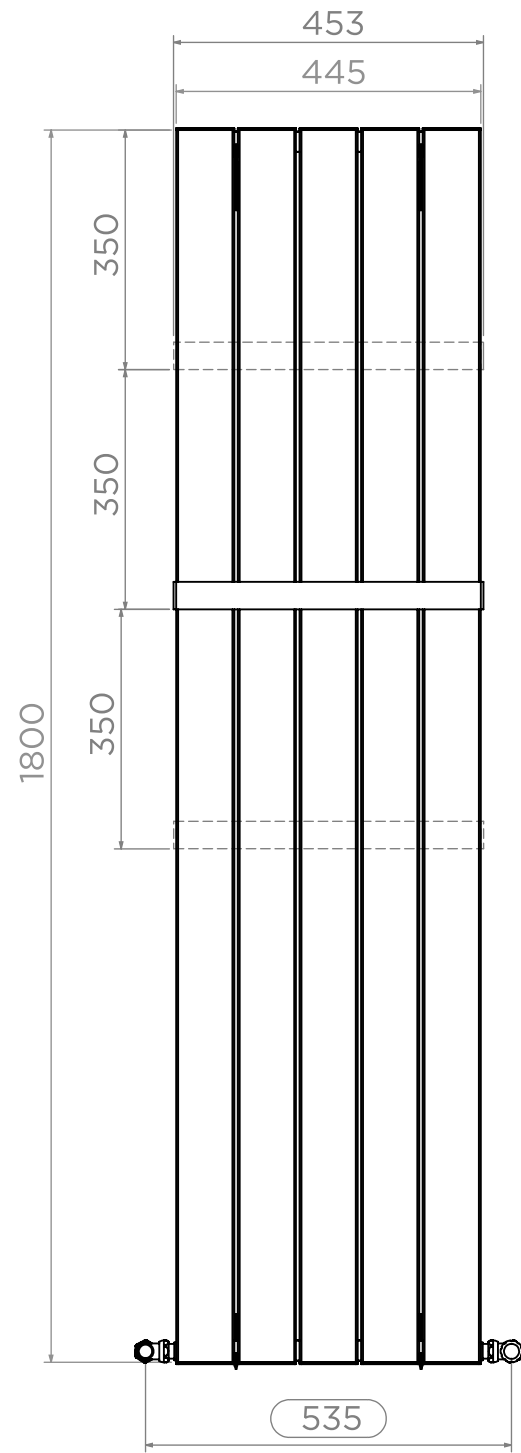
All Dimensions are in mm
 Max.Working Pressure: 10 Bar
 Max.Working Temperature: 95° C
 Inlet / Outlet : 1/2" BSP
 Fuel Type: H

Installation Accesories:

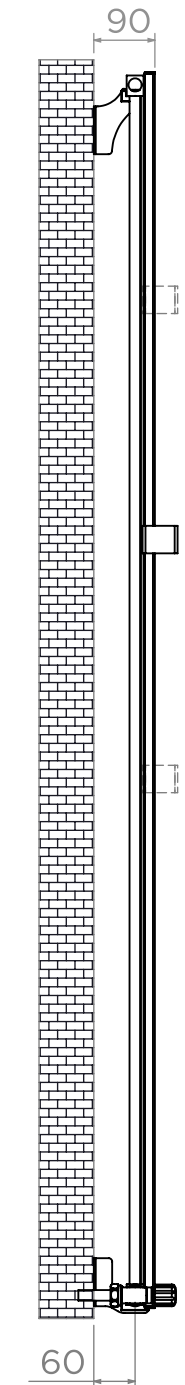


ALL MEASUREMENTS ARE IN MILLIMETRES | MANUFACTURED FROM ALUMINIUM

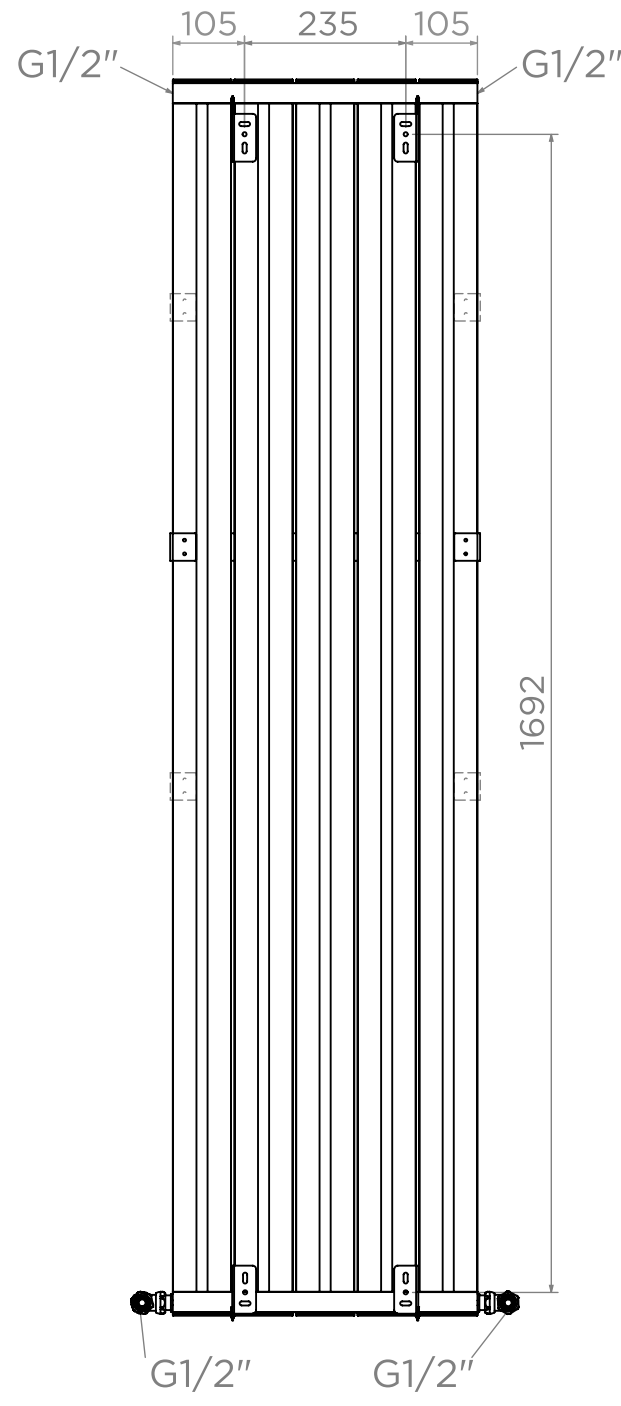
PL1805-TB5



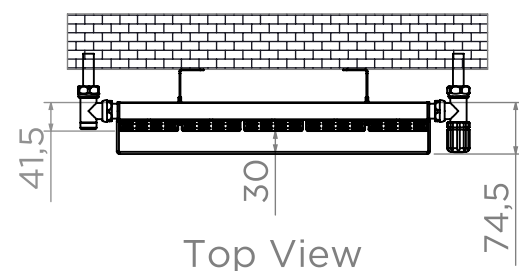
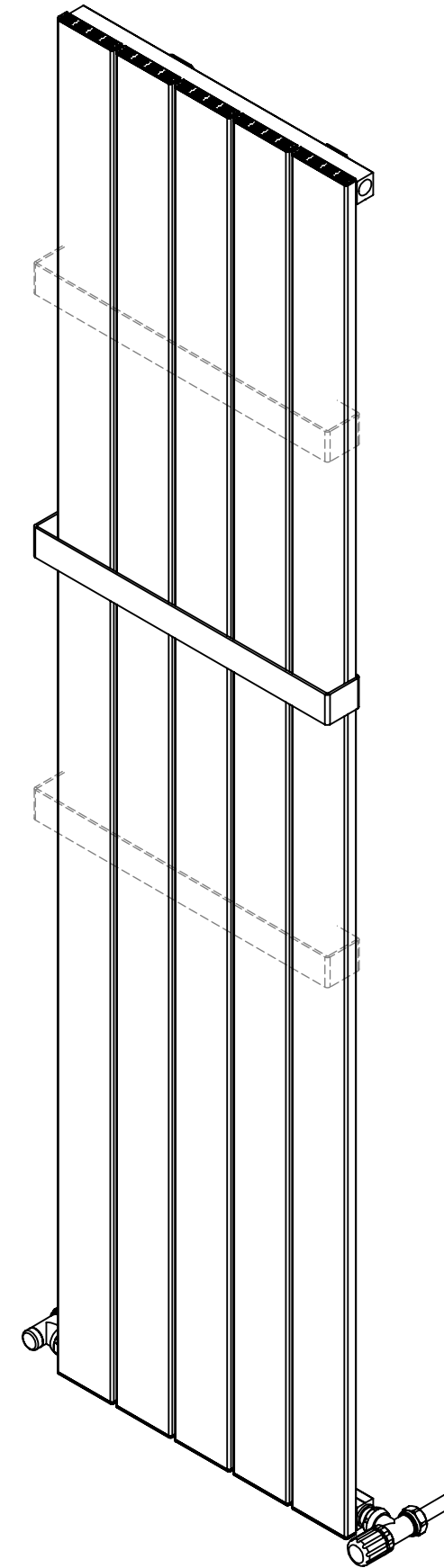
Front View



Side View



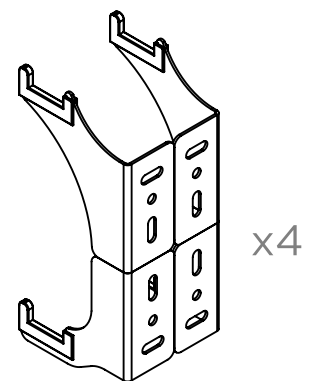
Back View



Top View

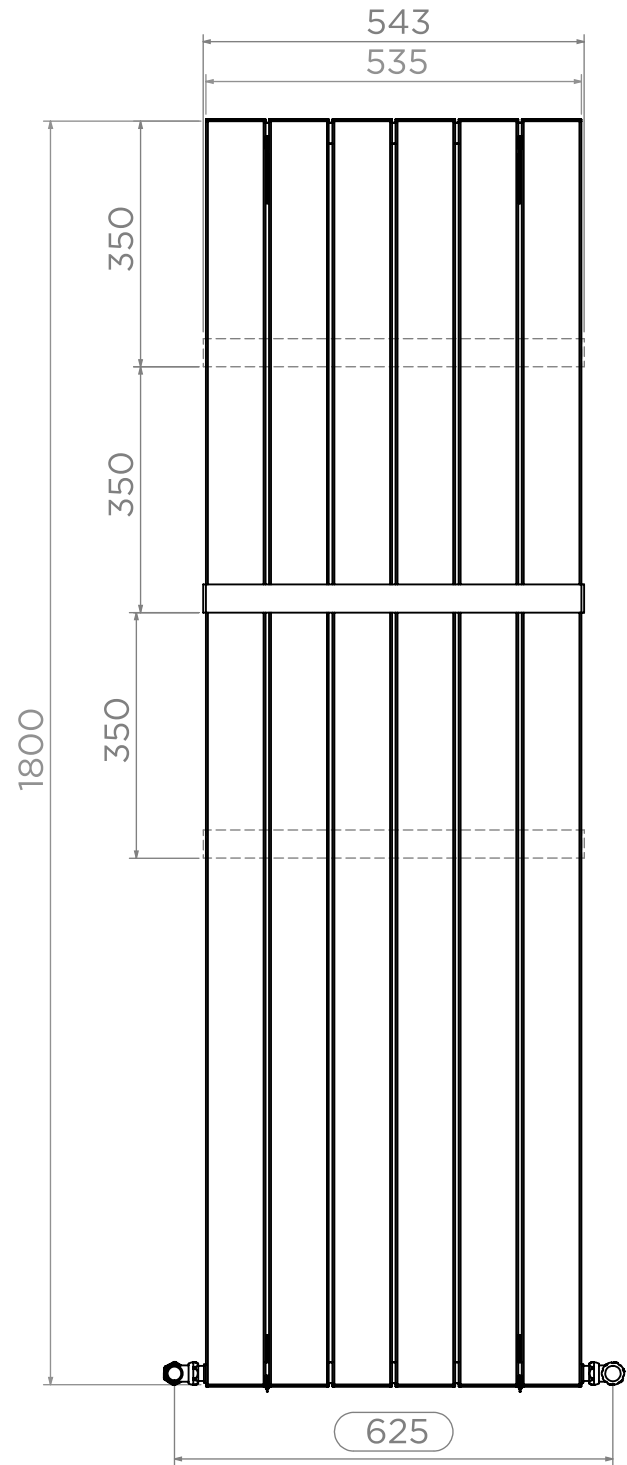
All Dimensions are in mm
 Max.Working Pressure: 10 Bar
 Max.Working Temperature: 95° C
 Inlet / Outlet : 1/2" BSP
 Fuel Type: H

Installation Accesories:

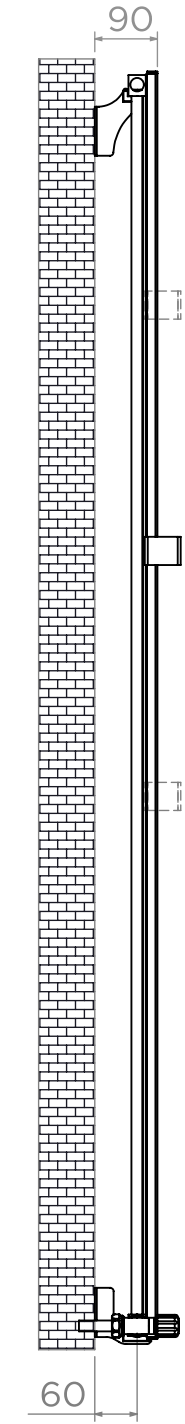


ALL MEASUREMENTS ARE IN MILLIMETRES MANUFACTURED FROM ALUMINIUM

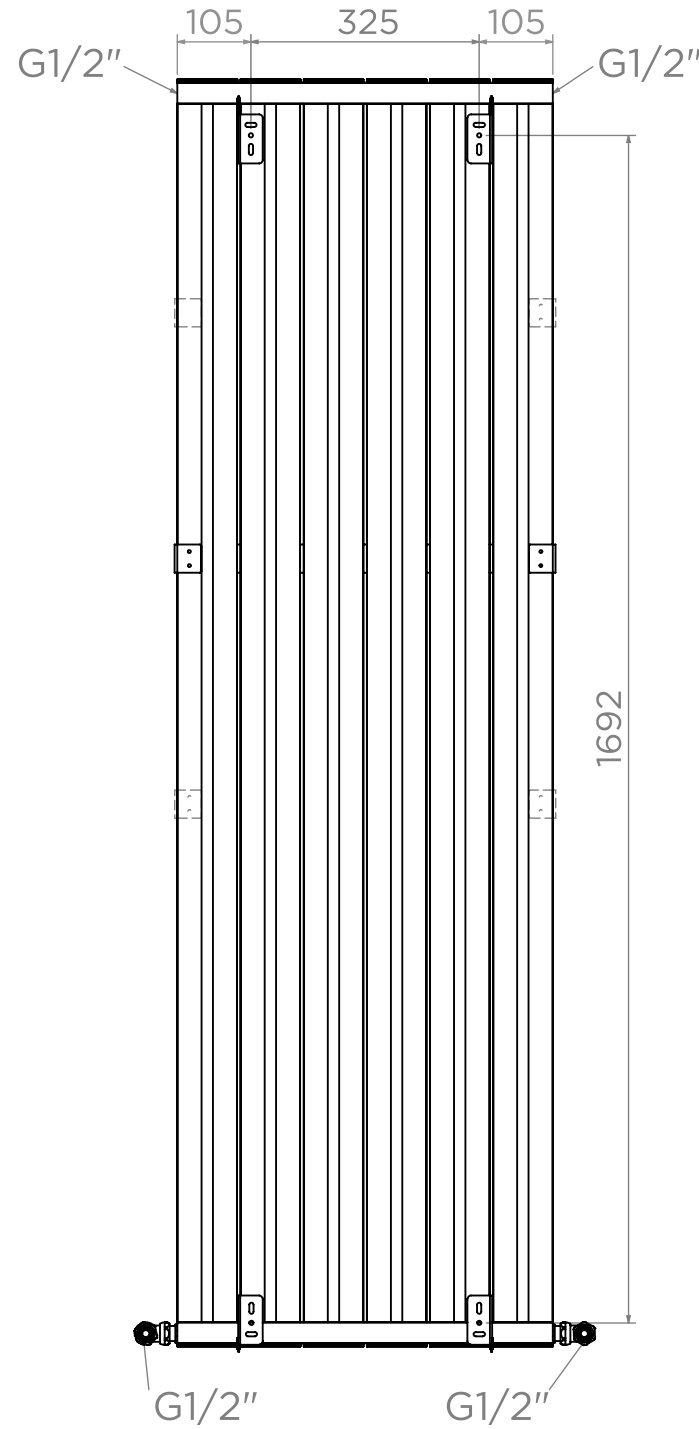
PL1806-TB6



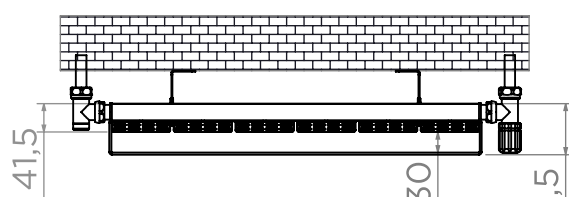
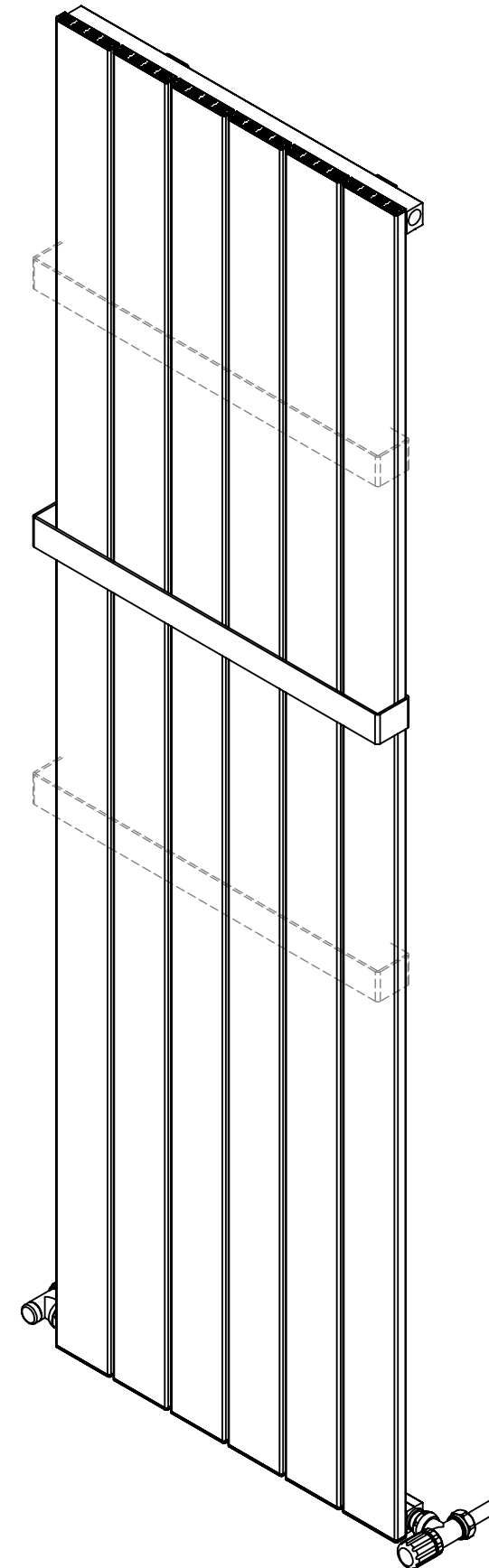
Front View



Side View



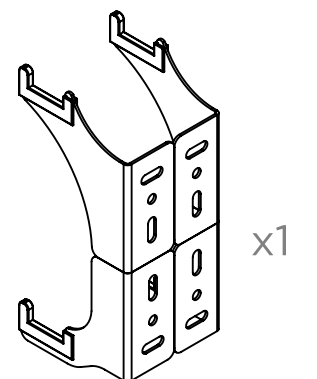
Back View



Top View

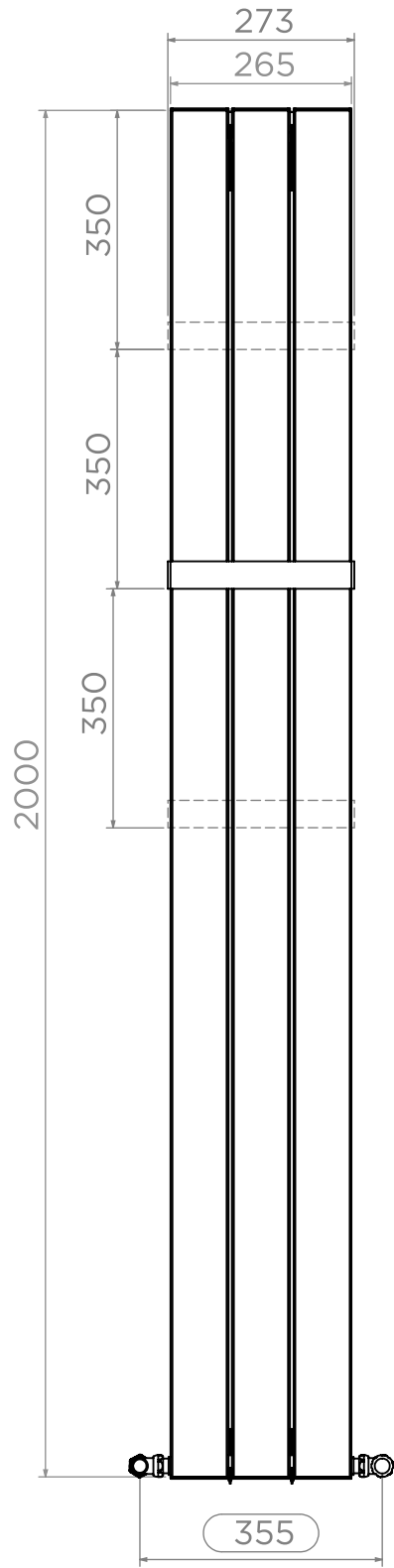
All Dimensions are in mm
 Max.Working Pressure: 10 Bar
 Max.Working Temperature: 95° C
 Inlet / Outlet : 1/2" BSP
 Fuel Type: H

Installation Accesories:

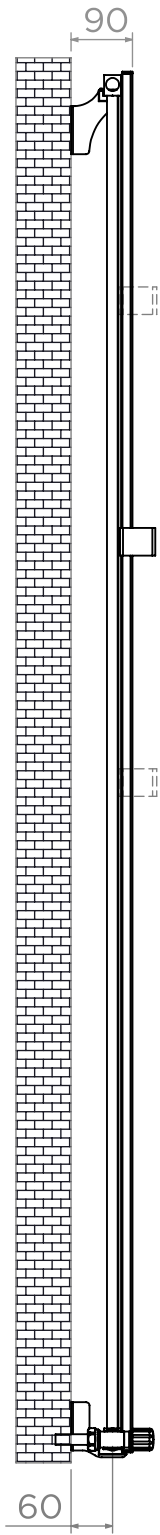


ALL MEASUREMENTS ARE IN MILLIMETRES MANUFACTURED FROM ALUMINIUM

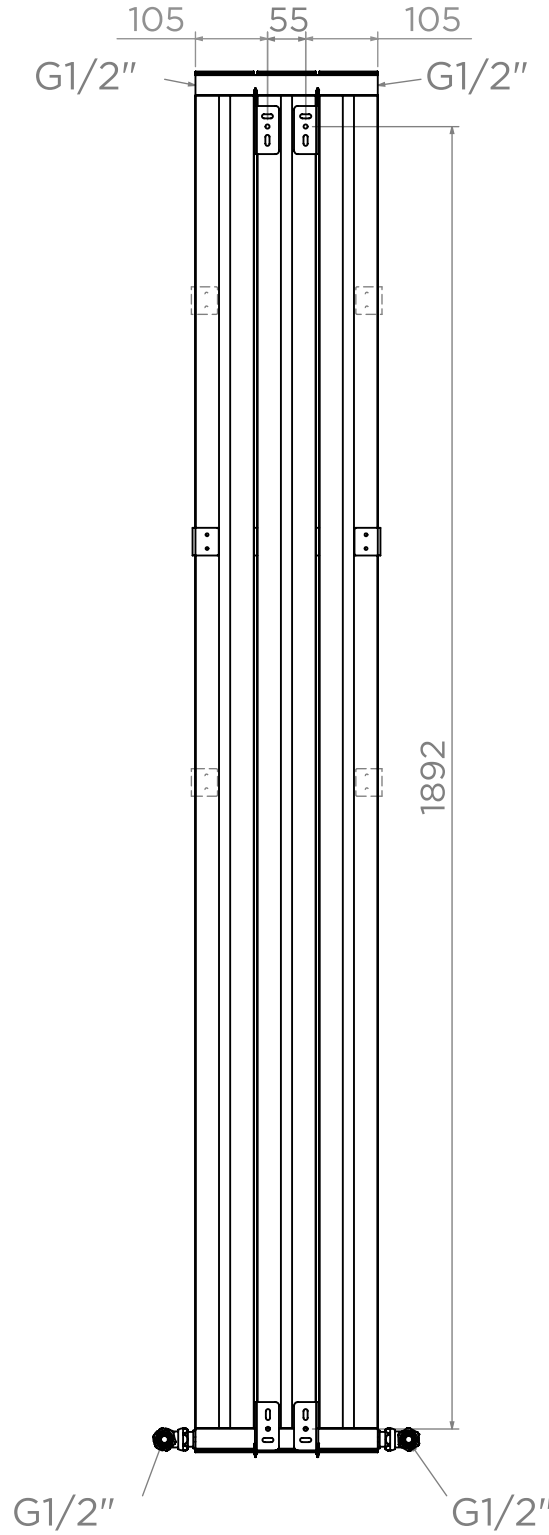
PL2003-TB3



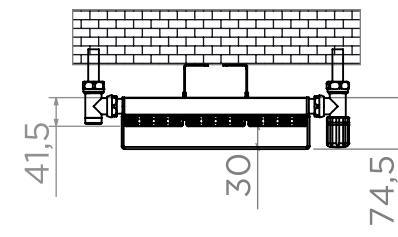
Front View



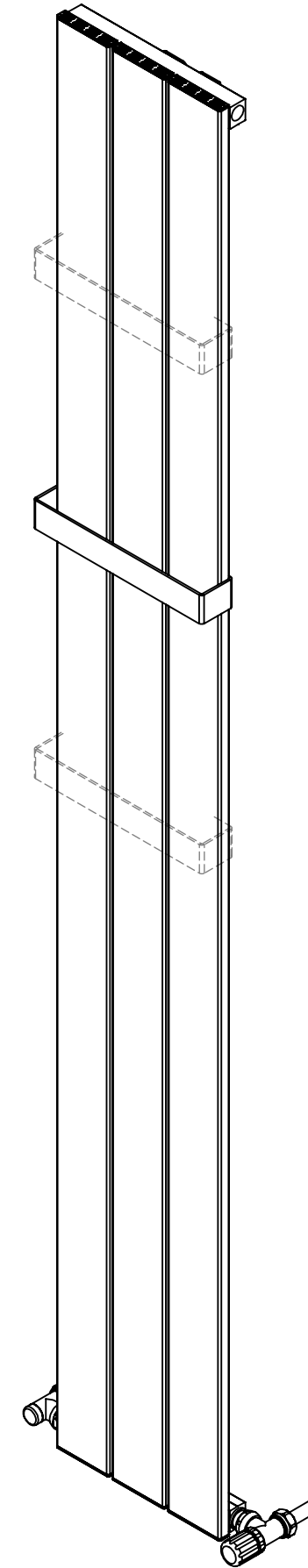
Side View



Back View

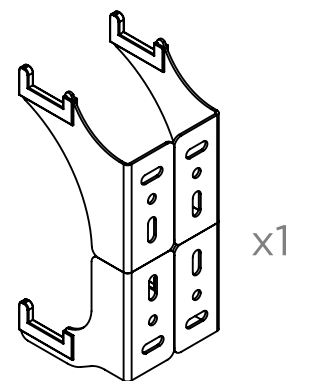


Top View



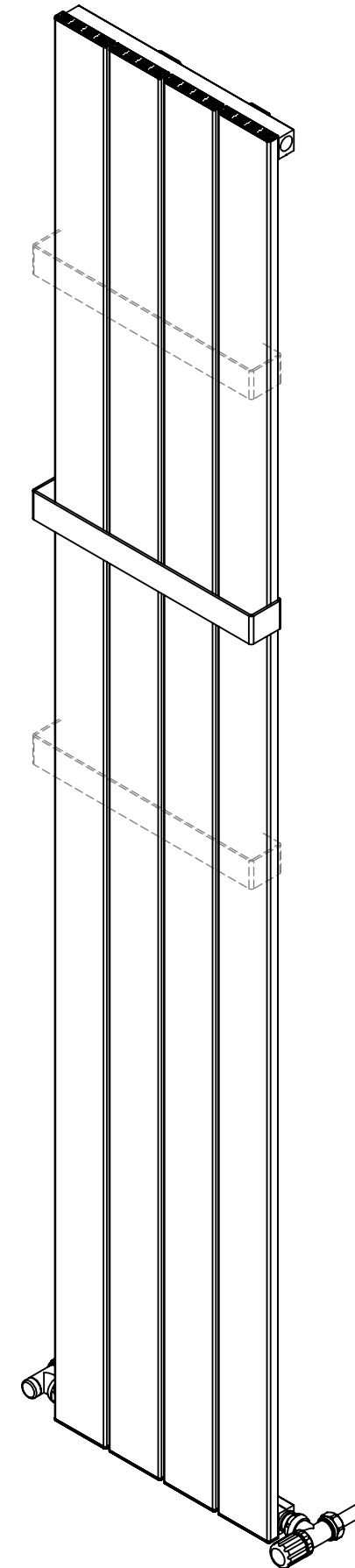
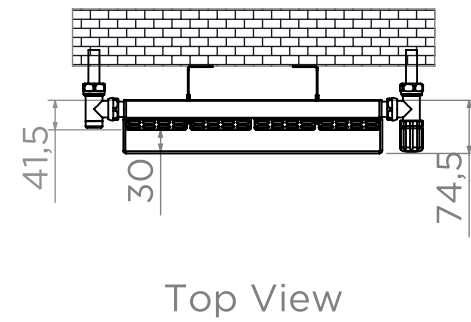
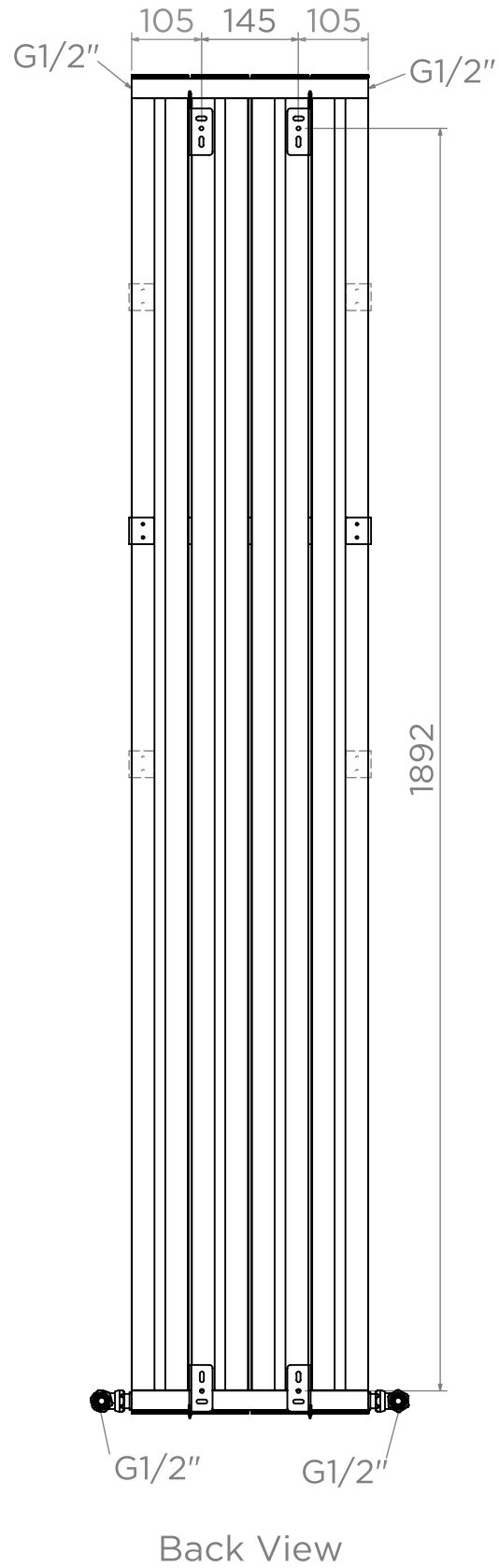
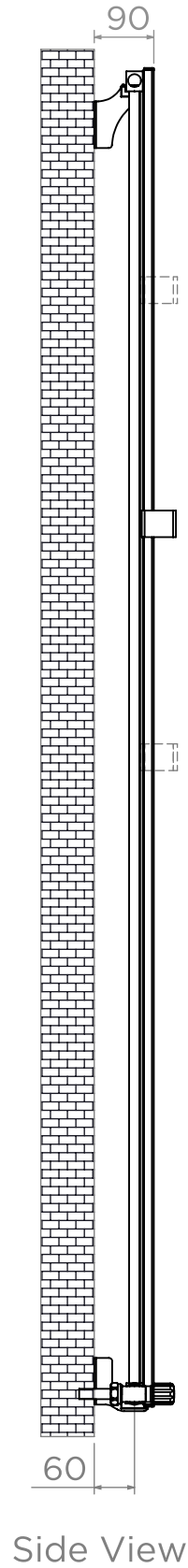
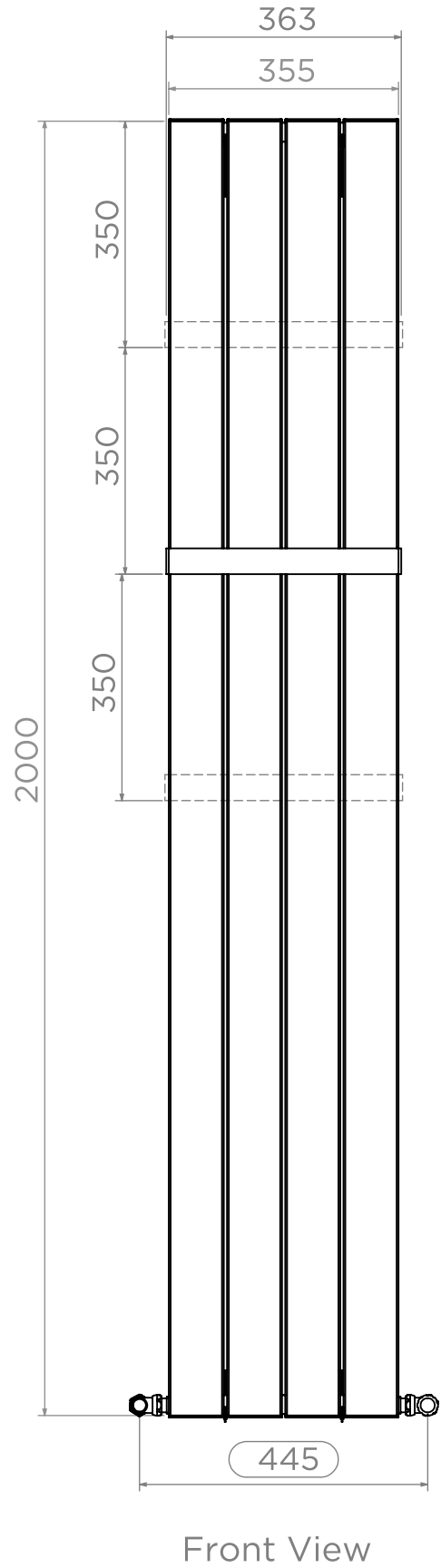
All Dimensions are in mm
 Max.Working Pressure: 10 Bar
 Max.Working Temperature: 95° C
 Inlet / Outlet : 1/2" BSP
 Fuel Type: H

Installation Accesories:



ALL MEASUREMENTS ARE IN MILLIMETRES | MANUFACTURED FROM ALUMINIUM

PL2004-TB4



All Dimensions are in mm
 Max.Working Pressure: 10 Bar
 Max.Working Temperature: 95° C
 Inlet / Outlet : 1/2" BSP
 Fuel Type: H

Installation Accesories:

