

BEAUFORT Vertical

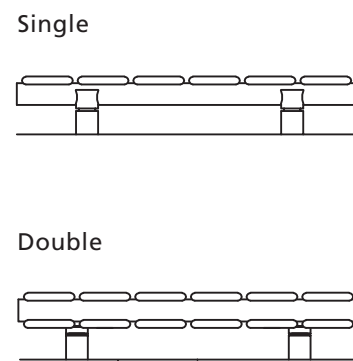
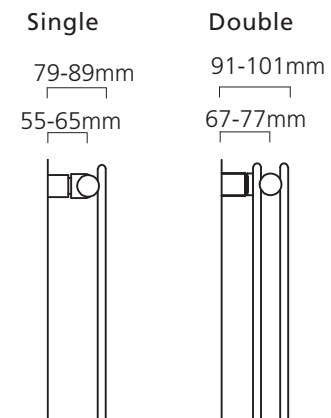
- Italian design & manufacture
- 70mm Flat Tube Steel Radiator available in 1 height & 4 widths
- Standard White RAL 9016 delivered in 48-72 hours
- 25 RAL colours, 8 special finishes, up to 15 working days (page 11)



Sizes and Prices

Dimensions (mm)		Elements	Output Δt 50°C		Product Code
Height	Width		Watts	Btu's	
Vertical - Single					
1820	312	4	588	2006	BEAUF183104SV
	464	6	881	3006	BEAUF184606SV
	540	7	1029	3511	BEAUF185407SV ♦
	616	8	1176	4013	BEAUF186108SV
Vertical - Double					
1820	312	8	840	2866	BEAUF183108DV
	464	12	1259	4296	BEAUF184612DV
	540	14	1470	5016	BEAUF185414DV
	616	16	1680	5732	BEAUF186116DV

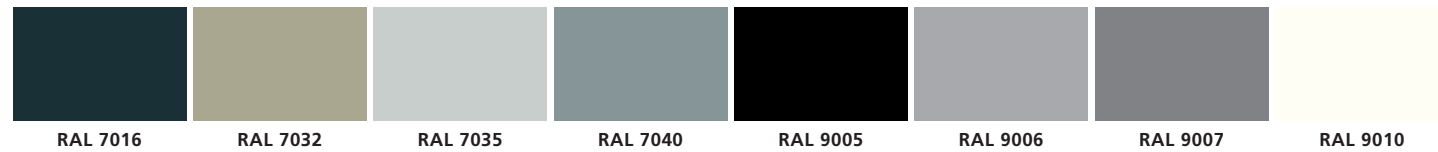
Pipe Centres & Technical Drawings



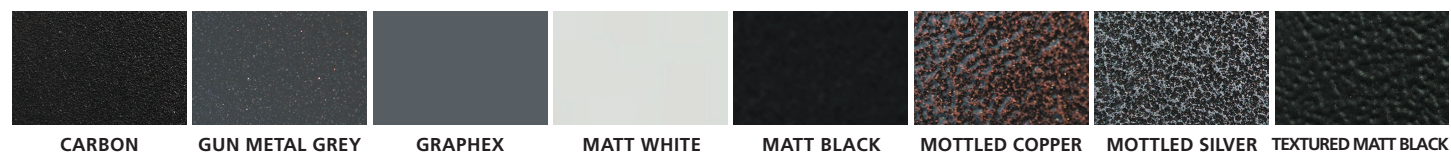
Single Vertical
 Pipe centres left to right = Width plus valves
 Pipe centres from wall = 55mm - 65mm
 Depth from wall = 79mm - 89mm

Double Vertical
 Pipe centres left to right = Width plus valves
 Pipe centres from wall = 67mm - 77mm
 Depth from wall = 91mm - 101mm

25 RAL Colours & 8 special finishes available (page 11 for more details)



Please add 10% to the RAL Colour price to work out your Special Finish price



Please note: Due to printing processes & manufacturing tolerances the colour of finished radiators may vary from the colours represented in this brochure.

+Valves Prices for BOE
 Connections include Angled
 Chrome or White KINGSTON TRV's



Please specify at time of order



Horizontal (pg.40-41)



BEAUFORT Slim
 (pg.44-45)

♦ BEAUFORT Single Vertical (BOE Connections) 1820mm x 540mm in RAL 9007 with Chrome KINGSTON TRV's.

BEAUFORT Vertical Fitting Instructions

Steel Radiator in White RAL 9016
70mm Flat Tube, 30mm Round Collectors

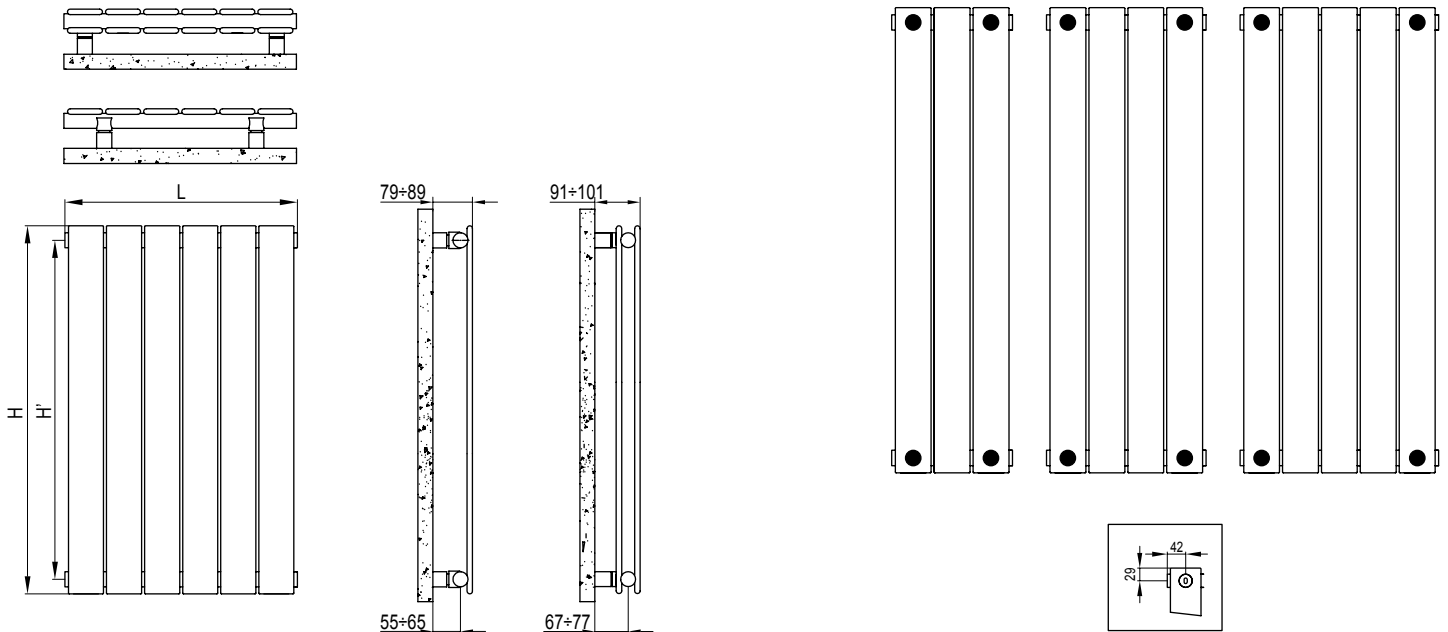
Please read these instructions and terms and conditions carefully prior to installation. Failure to do so may invalidate the warranty.



Drawings

Bracket Positions & Measurements

• = typical bracket fixing positions



Pipe Centres

	Single	Double
Pipe centres left to right	= width plus valves	width plus valves
Pipe centres from wall	= 55mm - 65mm	67mm - 77mm
Depth from wall	= 79mm - 89mm	91mm - 101mm

1. Unpack & Inspect

This product should have reached you in perfect condition. Please carefully unpack and inspect this radiator and all fittings. Your point of purchase must be notified of any shortages or damage within 28 days of delivery. For further information please see terms and conditions on reverse.

2. Contents

You should have:

- 1 Radiator
- 4 wall brackets
- 4 wall plugs
- 4 screws
- 4 wall sleeves
- 1 Manual Airvent
- 1 Blanking Plug
- 1 Diverter

You will need:

- Tape measure
- Electric drill and bits
- Spirit level

Diagram 1 (single version)

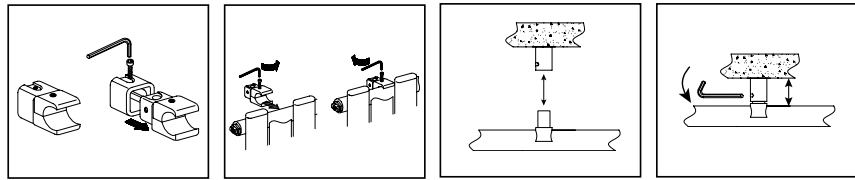
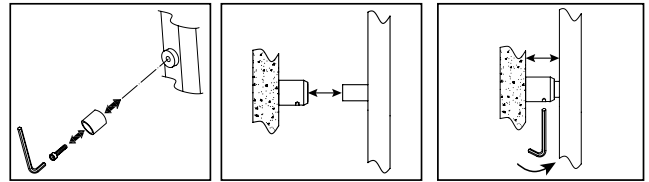


Diagram 2 (double version)



3. Mark Bracket Positions

Beaufort vertical singles use clamp style brackets that can be positioned on the collector to suit the installation, although we recommend that they are fitted in the locations suggested in the technical drawings on the previous page. The brackets on double radiators use welded lugs in fixed positions on the cross tubes.

Attach brackets and bracket sleeves to the radiator as shown in Diagrams 1(single) and 2 (double), place radiator against the wall and mark bracket positions.

4. Fix Brackets

Detach the bracket sleeve from the bracket and using a suitable drill bit and fixings secure all four in position, checking they are level and square.

PLEASE NOTE:

It is essential that all brackets are level and square prior to hanging the radiator to ensure a vertical alignment for connecting the pipework.

5. Identify Diverter

Factory fitted steel diverters are used in all vertical models and can be identified by a sticker found on the underside of one collector. The radiator must be hung with the diverter at the bottom. If this sticker is missing simply look into both collectors, one will have a clear water way and one will have a deliberate blockage, this deliberate blockage is the diverter. Please note the diverter can not be removed.

6. Hang Radiator

With the bracket sleeves firmly fixed and level, the radiator can be hung in position by inserting the brackets into the sleeves and securing with the grub screws provided.

When commissioning your radiator on an indirect/closed system we recommend using a suitable mixed metal inhibitor to protect against scale & corrosion. **Damage caused to systems not protected by a suitable inhibitor will not be covered by manufacturer's guarantee.**

Technical Specifications

Materials	Steel.
Connections	½" flow and return.
Test pressure	5 Bar
Maximum operating pressure	4 Bar
Maximum working temperature	90°C
Packaging	Wrapped in polythene & boxed

PLEASE NOTE: Systems using micro bore pipework must have adequate pressure and flow rates for the number and style of radiators on the system.

Guarantees & Liabilities

This product is guaranteed for 10 years. The guarantees in all cases are subject to the products being installed in accordance with British and or European standards as well as these fitting instructions. The guarantees in all cases are restricted to the free of charge replacement or repair of the failed product only. Our liability will under no circumstances extend beyond the repair or replacement of the product supplied by us. Claims for either labour in replacement or damage to property are not admissible. Any goods that are returned, in the event of a problem, will belong to us.

Terms & Conditions

All products must be inspected once removed from the packaging and your point of purchase notified within 28 days of delivery of any scratches, blemishes or other damage. Your point of purchase will then agree appropriate action.

Imperfect radiators should therefore not be fitted and we will not accept responsibility for replacement of scratched or damaged radiators once they have been fitted. This includes any consequential loss or cost of fitting.

If we are not notified within 28 days of the date on the signed delivery note then it will be deemed that we have fully complied with our obligations and claims will not be considered.

Failure to comply with any of the above may invalidate any claims. We recommend that after you check the product on delivery that it is stored in its packaging to prevent damage prior to installation, we cannot accept responsibility for items damaged after delivery.

For full details of our Terms and Conditions please visit www.supplies4heat.co.uk or call us on 01342 306880.